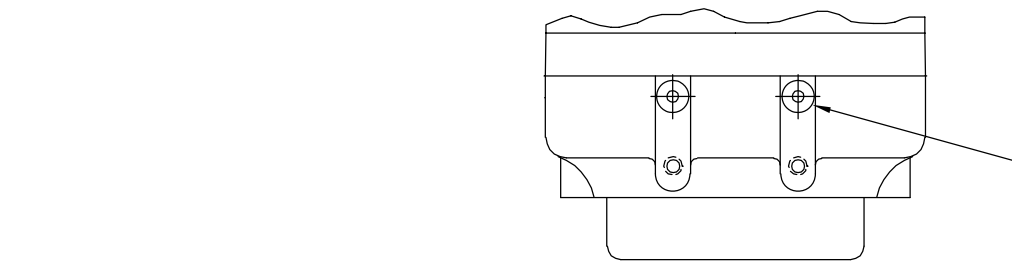
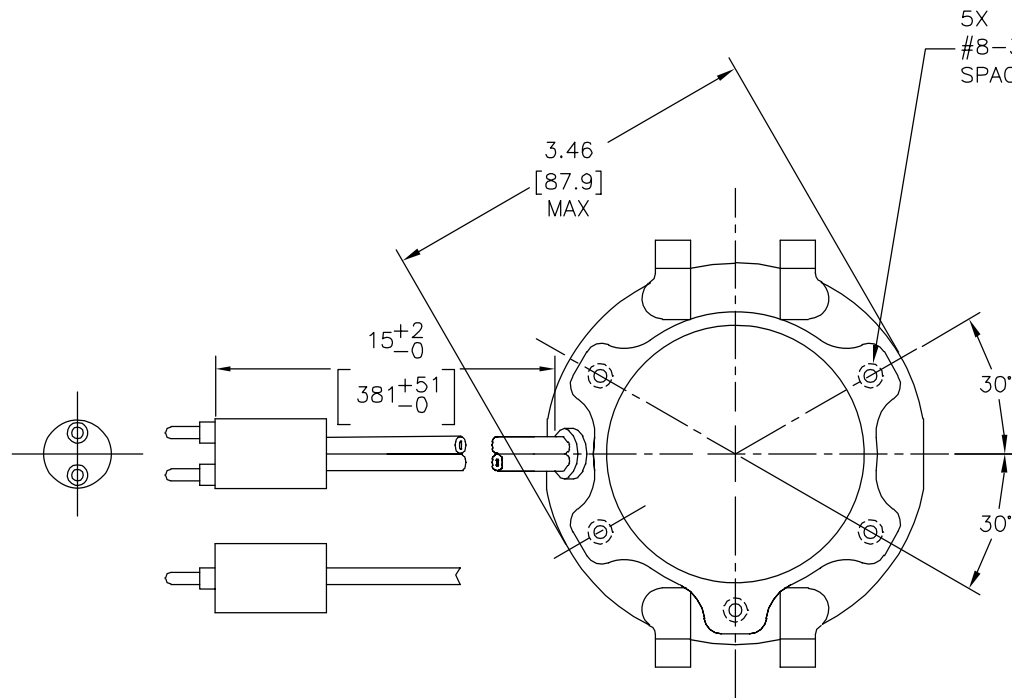


|     |         |             |            |               |            |
|-----|---------|-------------|------------|---------------|------------|
| REV | ECO     | REV BY      | DATE       | APPD          | DATE       |
| B   | 0025432 | O. CARVAJAL | 04-16-2012 | D. BALDERRAMA | 04-16-2012 |



REMOVABLE PLUGS AS SHOWN

NOTE: MOUNTING SCREW TORQUE 3 FT. LB. MAX



5X #8-36 UNF-2B TAPPED HOLES SPACED 120° ON Ø2.813 [Ø71.45]

#8-36 UNF-2B TAP .438 [11.13] ∇ 4X HOLES REQ'D BOTH SIDES

NOTE: OUTLINE DIMENSIONS FOR WHICH NO LIMIT IS SPECIFIED ARE NOMINAL AND NOT GUARANTEED AS TO TOLERANCE. ADDITIONAL INFORMATION ON TOLERANCES WILL BE FURNISHED ON SPECIFIC REQUEST.

UTB1CC1551EM56  
115V 60HZ CW  
CUST. NO. 9208F2

GEOMETRIC CHARACTERISTICS & SYMBOLS

- ▭ FLATNESS
- STRAIGHTNESS
- ∠ ANGULARITY
- ⊥ PERPENDICULARITY (SQUARENESS)
- ∥ PARALLELISM
- ROUNDNESS (CIRCULARITY)
- ⊘ CYLINDRICITY
- △ PROFILE OF ANY SURFACE
- ∩ PROFILE OF ANY LINE
- ↗ RUNOUT
- ⊕ TRUE POSITION
- ◎ CONCENTRICITY
- ≡ SYMMETRY

ASME Y14.5M 1994

UNLESS OTHERWISE SPECIFIED DIM. TOLERANCES ARE AS FOLLOWS:

INCH X XX XXX XXXX  
mm ±0.5 ±0.13 ±0.013

ANG. ±.50 DEG

REMOVE BURRS & BREAK SHARP EDGES:  
INCH .003-.015 mm 0.1-0.4

CORNER FILLETS TO:  
INCH .020 mm 0.5

MACHINE SURFACES:  
INCH 125 mm 3.2

METRIC DIMS. SHOWN IN [BRACKETS]

|  |               |                                     |
|--|---------------|-------------------------------------|
| DR BY:   | J. NICHTER    | 01-30-2009                          |
| APPD:  | C. MCREYNOLDS | 04-13-2009                          |
| THIRD ANGLE PROJECTION   |               | EDS DATE 11-11-2011<br>FORMAT REV G |
| CONFIDENTIAL: THIS DRAWING AND ITS INFORMATION ARE THE EXCLUSIVE AND CONFIDENTIAL PROPERTY OF REGAL-BELOIT CORPORATION AND ARE NOT TO BE DISCLOSED, DUPLICATED, DISTRIBUTED OR OTHERWISE USED WITHOUT THE WRITTEN CONSENT OF REGAL-BELOIT CORPORATION. -ALL RIGHTS RESERVED. |               |                                     |

|                        |                  |
|------------------------|------------------|
|                        |                  |
| DESCRIPTION<br>OUTLINE |                  |
| SIZE<br>C              | DWG NO<br>9208F2 |
| SCALE<br>NONE          | SHEET<br>1       |

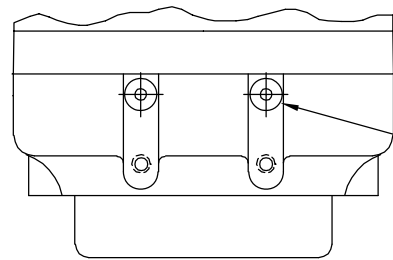
4

3

2

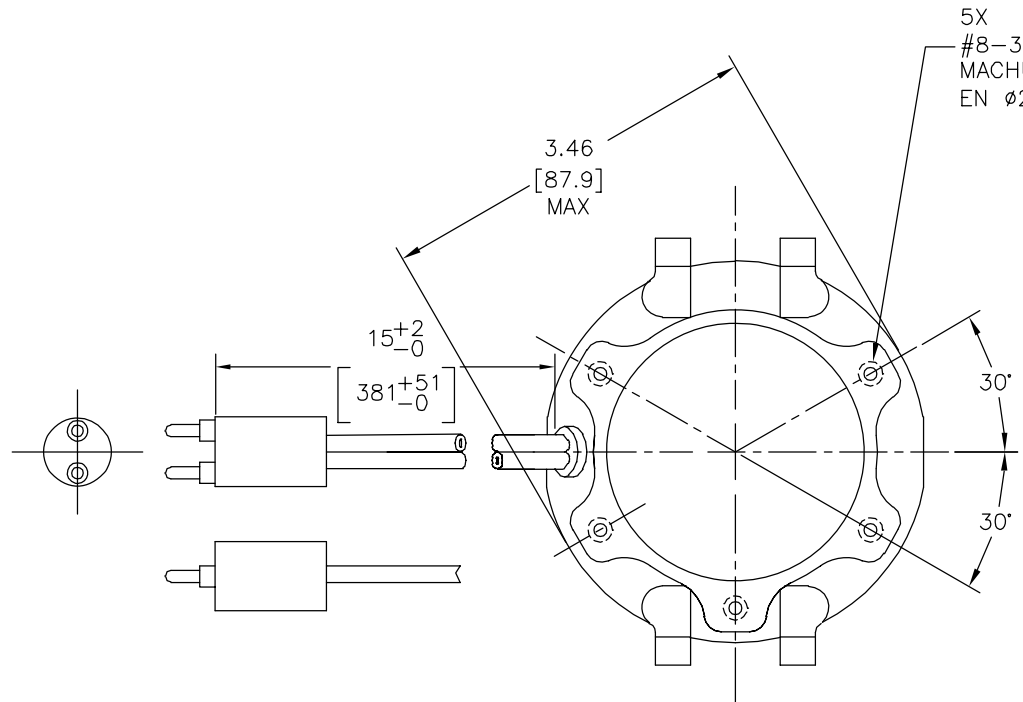
1

|           |         |               |            |               |            |
|-----------|---------|---------------|------------|---------------|------------|
| REVISION: | ECO     | REVISADO POR: | FECHA:     | APROBADO POR: | FECHA:     |
| B         | 0025432 | O. CARVAJAL   | 04-16-2012 | D. BALDERRAMA | 04-16-2012 |

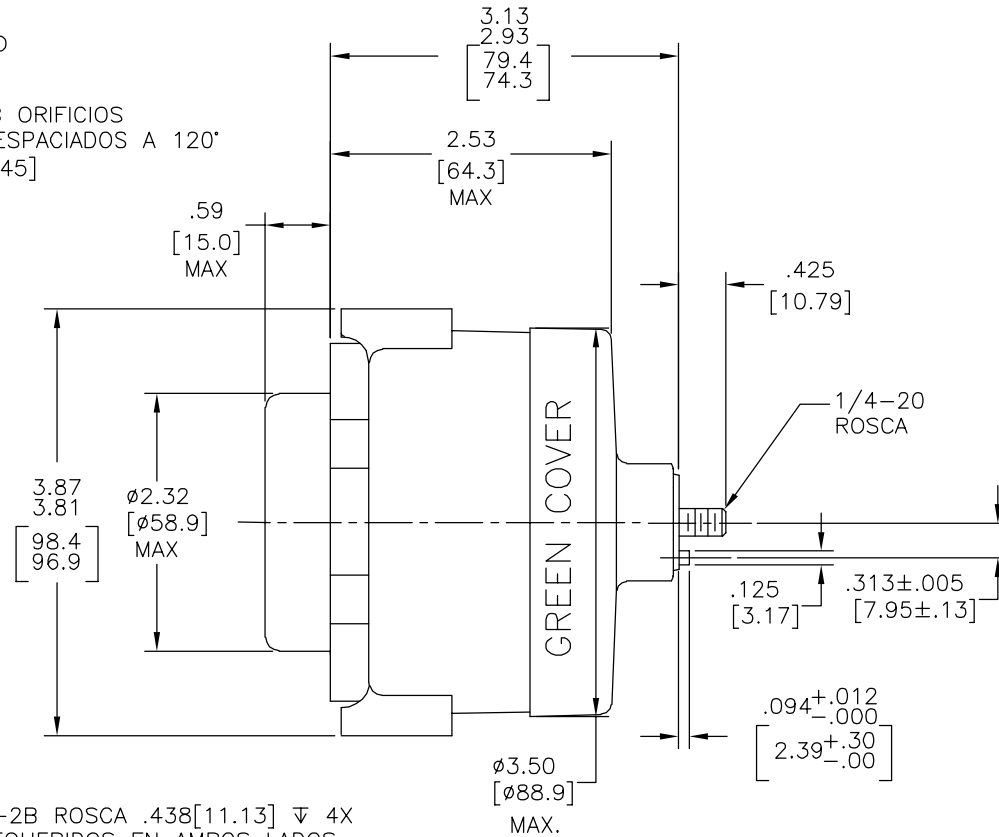


TAPONES REMOVIBLES  
COMO SE MUESTRA

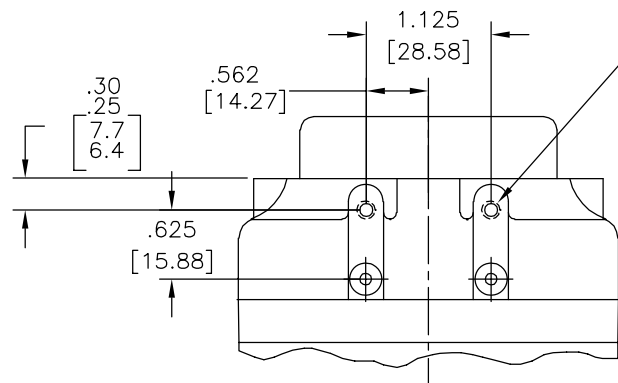
NOTA: TORNILLO DE MONTAJE TORQUE A 3 LIBRAS POR PIE MAXIMO



5X  
#8-36 UNF-2B ORIFICIOS  
MACHUELADOS ESPACIADOS A 120°  
EN Ø2.813 [Ø71.45]



#8-36 UNF-2B ROSCA .438 [11.13] ∇ 4X  
ORIFICIOS REQUERIDOS EN AMBOS LADOS



NOTA: LAS DIMENSIONES DEL DIBUJO PARA EL CUAL NO HAY LIMITES ESPECIFICADOS SON NOMINALES Y NO GARANTIZAN UNA TOLERANCIA. LA INFORMACION ADICIONAL EN TOLERANCIAS SERA PROPORCIONADA EN REQUISICIONES ESPECIFICAS.

|   |  |
|---|--|
| CARACTERISTICAS DE GEOMETRIA Y SIMBOLOS<br>▭ PLANICIDAD<br>- RECTITUD<br>< ANGULARIDAD<br>⊥ PERPENDICULARIDAD (A ESCUADRA)<br>// PARALELISMO<br>○ REDONDEZ (CIRCULARIDAD)<br>∅ CILINDRICIDAD<br>△ PERFIL DE CUALQUIER SUPERFICIE<br>▲ PERFIL DE CUALQUIER LINEA<br>↗ VARIACION<br>⊕ POSICION REAL<br>⊙ CONCENTRICIDAD<br>= SIMETRIA | A MENOS QUE SE ESPECIFIQUE DE OTRA MANERA, LAS TOLERANCIAS DE LAS DIMS; SON LAS SIGUIENTES:<br>PULG ±.1 ±.02 ±.005 ±.0005<br>mm ±0.5 ±0.13 ±0.013<br>ANG. ± 50 GRADOS<br>ELIMINAR REBABAS Y ORILLAS FILOSAS DEL BORDE.<br>PULG .003-.015 mm 0.1-0.4<br>FILETEAR ESQUINA: PULG .020 mm 0.5<br>MAQUINAR SUPERFICIES<br>PULG 125 mm 3.2 |
|---|--|

ASME Y14.5M 1994 DIMS METRICAS MOSTRADAS [PARENTESIS]

|   |  |
|---|--|
| DIBUJADO POR:<br>J. NICTER  | 01-30-2009                               |
| APROBADO POR:<br>C. MCREYNOLDS  | 04-13-2009                               |
| TERCER ANGULO DE PROYECCION   | FECHA EDS: 11-11-2011<br>REV. FORMATO: G |
| CONFIDENCIAL: ESTE DIBUJO Y SU INFORMACION SON PROPIEDAD DE USO EXCLUSIVO Y CONFIDENCIAL DE REGAL-BELOIT CORPORATION. Y NO DEBERAN SER REVELADOS, DUPLICADOS, DISTRIBUIDOS O USARSE DE OTRA MANERA SIN EL CONSENTIMIENTO ESCRITO DE REGAL-BELOIT CORPORATION. -TODOS LOS DERECHOS RESERVADOS. |  |



|              |         |                             |
|--------------|---------|-----------------------------|
| DESCRIPCION: | OUTLINE |                             |
| TAMAÑO:      | C       | NUMERO DE DIBUJO:<br>9208F2 |
| ESCALA:      | NONE    | HOJA: 1                     |

4

3

2

1

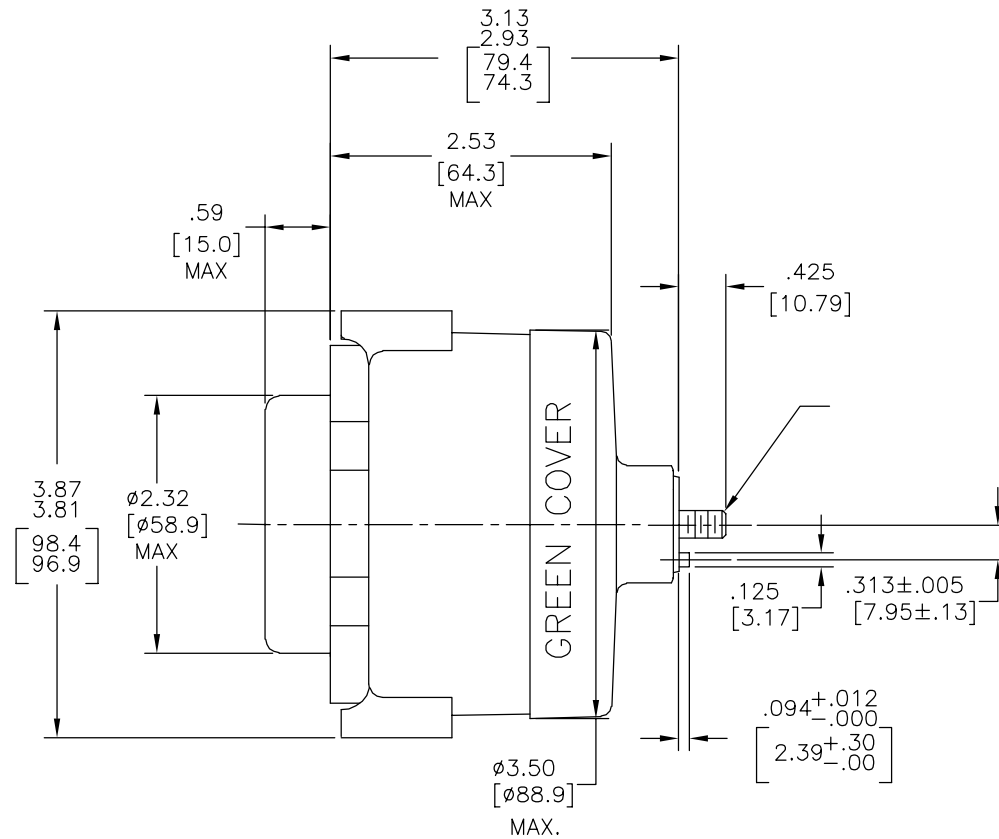
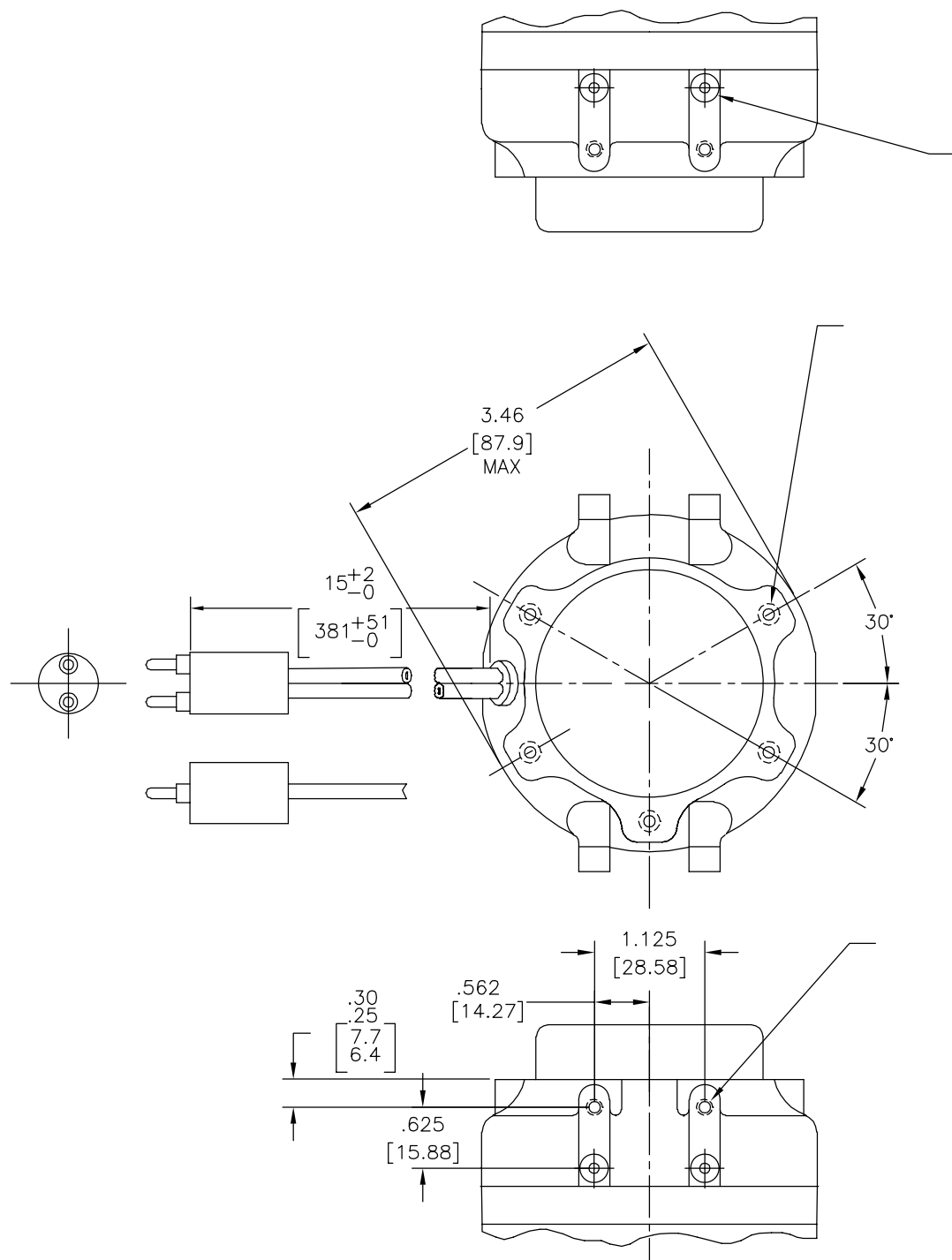
4

3

2

1

|    |         |             |            |               |            |
|----|---------|-------------|------------|---------------|------------|
| 版本 | ECO     | 编制          | 日期         | 批准            | 日期         |
| B  | 0025432 | O. CARVAJAL | 04-16-2012 | D. BALDERRAMA | 04-16-2012 |



|        |                          |
|--------|--------------------------|
| 形位公差   | 除另有注明                    |
| □ 平面度  | 尺寸公差如下:                  |
| — 直线度  | 英寸 X XX XXX XXXX         |
| ∠ 倾斜度  | 英寸 ±.1 ±.02 ±.005 ±.0005 |
| ⊥ 垂直度  | 毫米 ±0.5 ±0.13 ±0.013     |
| // 平行度 | 角度 ±.50 度                |
| ○ 圆度   | 清理毛刺和尖棱                  |
| ⊘ 圆柱度  | 英寸 .003-.015 毫米 0.1-0.4  |
| △ 面轮廓度 | 内圆角                      |
| ∩ 线轮廓度 | 英寸 .020 毫米 0.5           |
| ∩ 圆跳动  | 表面粗糙度                    |
| ⊕ 位置度  | 英制 125 米制 3.2            |
| ⊙ 同轴度  | 米制尺寸显示在 [ ]              |

ASME Y14.5M 1994

|  |               |                                 |
|--|---------------|---------------------------------|
| 绘图:  | J. NICHTER    | 01-30-2009                      |
| 批准:  | C. MCREYNOLDS | 04-13-2009                      |
| 第三角投影  |               | 图纸格式发布日期 11-11-2011<br>图纸格式版本 G |
| 机密: 本图纸及相关信息所有权归REGAL-BELOIT CORPORATION. 未经REGAL-BELOIT CORPORATION书面授权, 不得泄露、复制、传播或作其他用途。—版权所有 |               |                                 |



|    |         |           |
|----|---------|-----------|
| 名称 | OUTLINE |           |
| 图幅 | C       | 图号 9208F2 |
| 比例 | NONE    | 页号 1      |

4

3

2

1