



Indoor Condensing Unit Technical Data Sheet

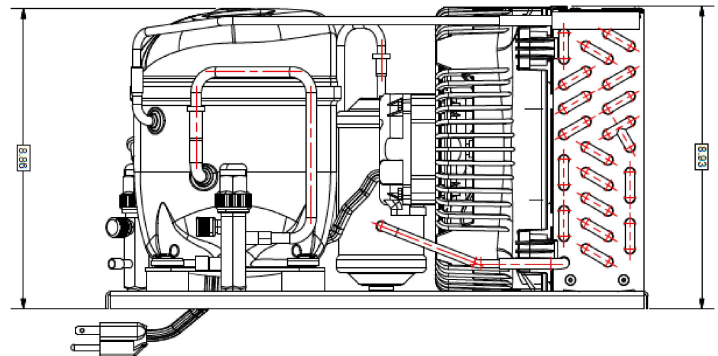
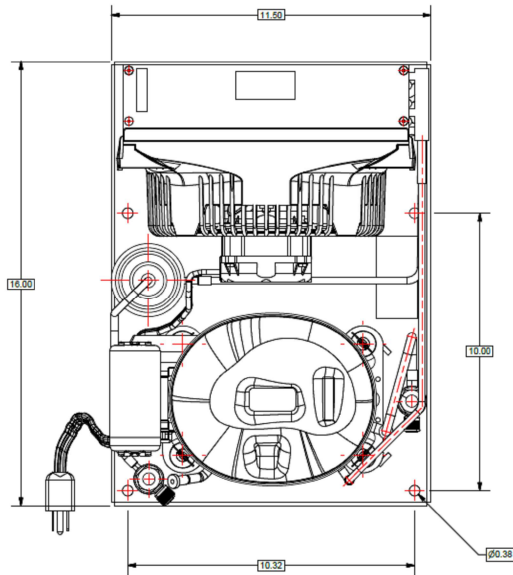


Model: AE4440Y-AA1AS*

BoM: 32F360-*(9S)

R-134a / R-513A

1/3 HP



Model	Dimensions, inches				Line Connection*		Pumpdown	Air	Oil Ch	Gr. Wt.
	L	W	H	CH	Suction	Liquid	90 °F 90%	CFM	Oz.	Lbs.
AE4440Y-AA1ASK	16.0	11.5	8.93	8.86	5/16" S	1/4" S	n/a	190	9.5	38.1
AE4440Y-AA1ASB							1.83 lbs.			38.7
AE4440Y-AA1ASC					3/8" S	1/4" S	1.83lbs.			39.5
AE4440Y-AA1ASS							n/a			38.9

* F = Flare, S = Solder, RF or RS = Rotolock with Flare or Solder Connections, C = Compression Fitting
Factory charge: 20 PSIG Nitrogen – **MUST BE EVACUATED**

Evaporator		R-134a Performance											
		80°F			90°F			100°F			110°F		
°F	PSIG	BTU/H	Watts	Cond T	BTU/H	Watts	Cond T	BTU/H	Watts	Cond T	BTU/H	Watts	Cond T
10	12.1	2020	370	99	1880	350	108	1700	400	118	1570	400	126
15	15.2	2260	390	101	2100	410	111	1930	420	120	1760	430	128
20	18.6	2510	410	104	2340	430	113	2150	440	122	1970	460	131
25	22.3	2780	440	106	2580	460	116	2390	470	125	2180	490	133
30	26.3	3050	460	109	2830	490	119	2620	500	127	2390	520	136
35	30.6	3340	490	112	3100	520	122	2860	540	130	2620	560	139
40	35.2	3650	520	115	3370	550	125	3110	570	133	2850	600	142
45	40.3	3970	560	119	3650	590	128	3360	610	136	3080	640	145
50	45.6	4300	590	122	3950	620	131	3610	650	139	3330	680	148
55	51.4	4640	630	126	4250	660	135	3870	700	143	3580	730	152

Performance @ 60Hz, Return Gas 40°F for 20°F and Below Evaporator and 65°F above 20°F Evaporator, Sub cooling 5°F

Evaporator		R-513A Performance											
		Ambient Temperatures											
		80°F			90°F			100°F			110°F		
°F	PSIG	BTU/H	Watts	Cond T	BTU/H	Watts	Cond T	BTU/H	Watts	Cond T	BTU/H	Watts	Cond T
10	15.4	2356	431	107	2218	439	116	2081	447	124	1943	456	133
15	18.8	2403	446	110	2232	456	118	2061	467	127	1891	477	136
20	22.4	2510	466	113	2306	478	121	2102	491	130	1898	504	138
25	26.4	2676	491	116	2439	505	124	2203	520	133	1966	535	141
30	30.6	2903	521	120	2633	538	128	2363	555	136	2093	572	145
35	35.2	3190	556	123	2887	575	132	2584	594	140	2280	613	148
40	40.1	3536	596	127	3200	617	135	2864	638	144	2528	659	152
45	45.4	3943	640	132	3574	664	140	3204	687	148	2835	711	156
50	51.0	4409	690	136	4007	716	144	3605	742	152	3202	767	160
55	57.1	4936	745	141	4500	773	149	4065	801	156	3629	829	164

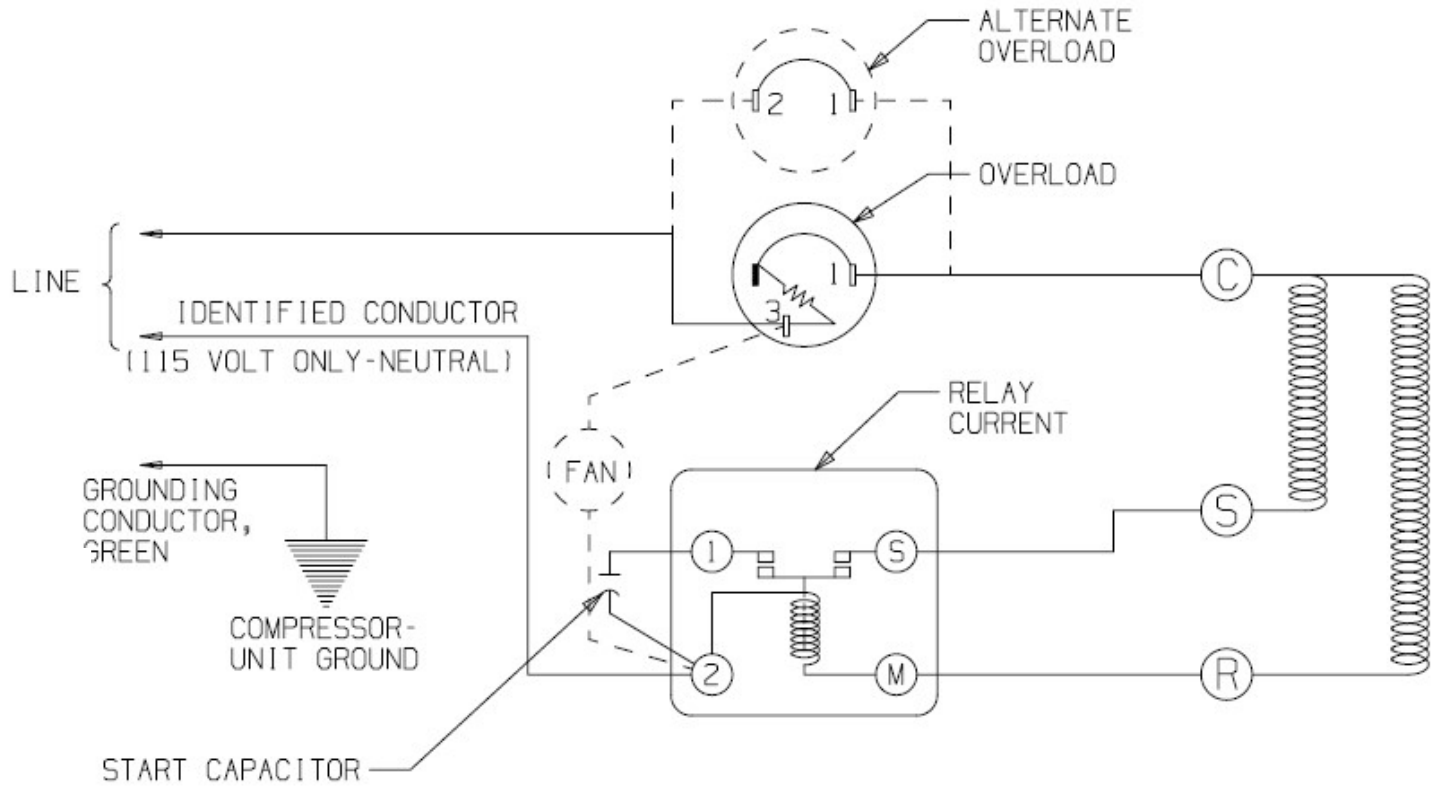
Performance @ 60Hz, Return Gas 40°F for 20°F and Below Evaporator and 65°F above 20°F Evaporator, Sub cooling 5°F

Specifications/ Parts:

Unit Model	AE4440Y-AA1ASK
Unit Bill of Material	32F360-39S
Refrigeration Range	20° F to 55° F
Design Pressure Low	150
Design Pressure High	450
Nominal Volts-Hz-Ph	115/60/1
Voltage Range	103 to 127
Min. Circuit Ampacity	7.86
Max. Fuse Size (amps)	15
Compressor Model	AE4440Y-AA1A
Comp. Bill of Material	AE1022E-212-J7
Compressor RLA/LRA	5.82/32
Overload	830-10024
Relay	820-10031
Run Capacitor	N/A
Start Capacitor	85PS165D64
Power Cord	85106-10
Fan Motor	810L009B96
Fan Motor RLA	.58
Fan Blade	51578
Fan Shroud/Guard Combo	116-002P
Condenser	506-G434
Unit Drawing	DGU1896-G103
Wiring Diagram	DEAE-10

Unit Model	AE4440Y-AA1ASB
Unit Bill of Material	32F360-49S
Receiver Tank	51085-1
Power Cord	85106-10
Unit Drawing	DGU1896-G103
Unit Model	AE4440Y-AA1ASC
Unit Bill of Material	32F360-59S
Receiver Tank	51085-1
Power Cord	85106-10
Unit Drawing	DGU1896-G103
Liquid Valve	56605
Suction Valve	56604
Unit Model	AE4440Y-AA1ASS
Unit Bill of Material	32F360-69S
Power Cord	85106-10
Unit Drawing	DGU1896-G103
Liquid Valve	56605
Suction Valve	56604
Replacement Kit: Relay	K71-36
Replacement Kit: O/L	K90-56
Replacement Kit: St. Cap	K146-55

Electrical Diagram



115 OR 230 V SCHEMATIC WIRING DIAGRAM