

PRODUCT INFORMATION PACKET



Model No: RA1056
Catalog No: RA1056
Fan Coil & Air Conditioner Motor, 1/2 HP, 1 Ph, 60 Hz, 208-230 V, 1075 RPM, 3 Speed, 48 Frame,
SEMI ENCLOSED



Regal and Century are trademarks of Regal Rexnord Corporation or one of its affiliated companies.
©2022 Regal Rexnord Corporation, All Rights Reserved. MC017097E





Nameplate Specifications

Output HP	1/2 Hp	Output KW	0.37 kW
Frequency	60 Hz	Voltage	208-230 V
Current	2.7 A	Speed	1075 rpm
Service Factor	1	Phase	1
Duty	Air Over	Insulation Class	B
Frame	48Y	Enclosure	Semi Enclosed
Thermal Protection	Automatic	Ambient Temperature	60 °C
UL	Recognized	CSA	Y
CE	N	Number of Speeds	3

Technical Specifications

Electrical Type	Permanent Split Capacitor	Starting Method	Across The Line
Poles	6	Rotation	Counterclockwise Lead End
Mounting	Resilient Ring/Extended Studs	Motor Orientation	Horizontal
Drive End Bearing	Sleeve	Opp Drive End Bearing	Sleeve
Frame Material	Rolled Steel	Shaft Type	Flat
Overall Length	20.00 in	Frame Length	4.50 in
Shaft Diameter	0.500 in	Shaft Extension	7.6X.5X7.3 in
Connection Drawing	614131-106	Outline Drawing	RA1056-S01

This is an uncontrolled document once printed or downloaded and is subject to change without notice. Date Created:11/28/2022

GENERAL INFORMATION:

SHAFT RUNOUT: .001 [.025] T.I.R. PER INCH LENGTH OF EXTENSION

END PLAY: .010 [.254] TO .063 [1.600]

BEARINGS: SLEEVE

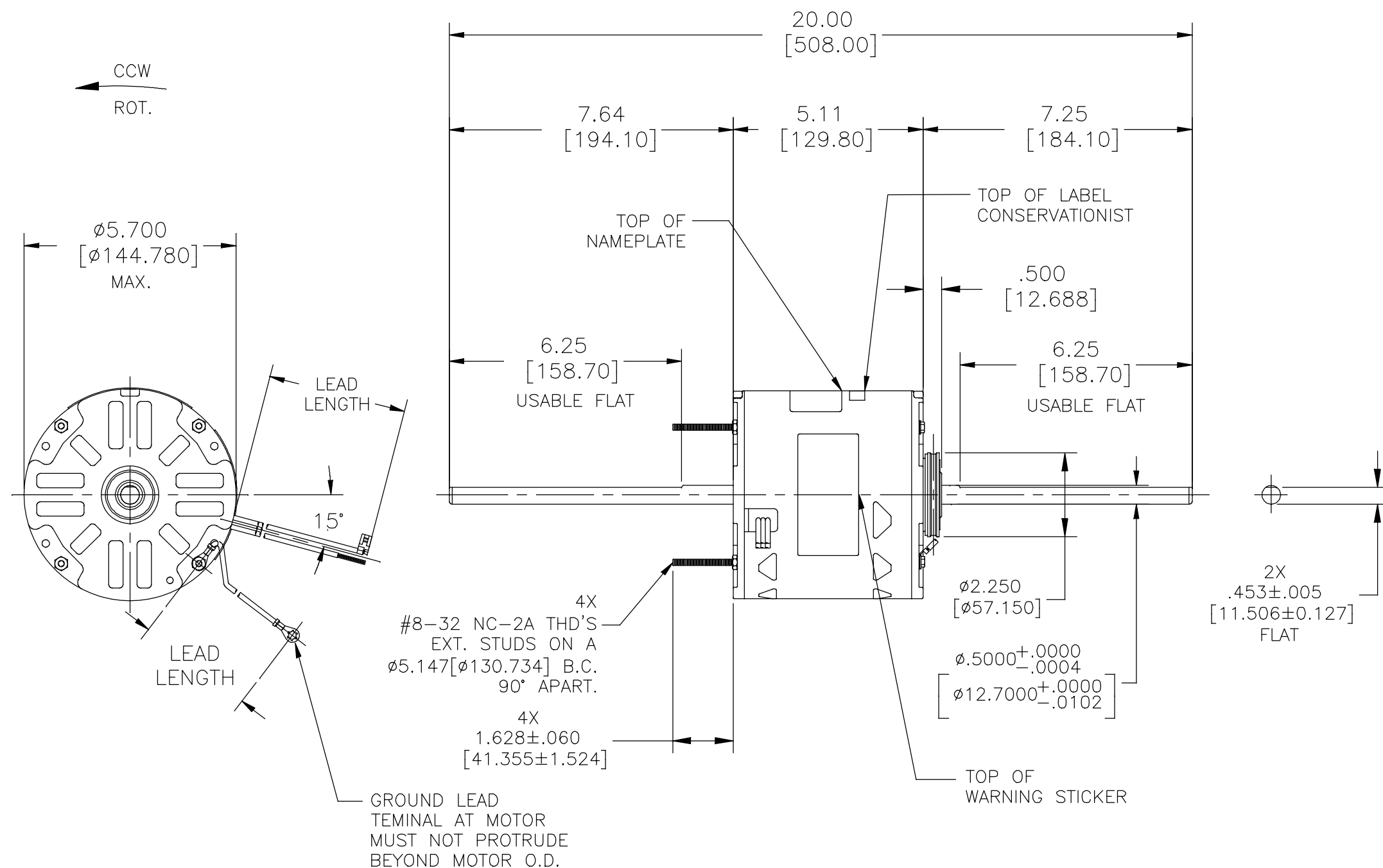
MOUNTING POSITION: HORIZONTAL

ELECTRICAL DATA:

OVERLOAD PROTECTOR: AUTOMATIC RESET (T.I. 7AM 036)

LEADS: NO. 18 GA., .06 [1.52] THK. 105°C PVC INSUL.

GROUND LEAD: NO. 18 GA., .03 [.76] THK. (GREEN) INSUL.



NOTES:
10008025-002-001 RESILIENT MOUNTING KIT
TO BE PACKED WITH MOTOR

REGAL-BELOIT CORPORATION (RBC) PROVIDES TECHNICAL ASSISTANCE TO OUR CUSTOMERS IN SEVERAL AREAS. SINCE RBC DOES NOT RECEIVE ALL DATA CONCERNING THE USE AND APPLICATION OF THE MOTOR, THE SUITABILITY OF THE MOTOR FOR THE APPLICATION MUST BE DETERMINED BY THE CUSTOMER.

DIMENSIONS WITHOUT TOLERANCES ARE FOR REFERENCE ONLY.

MAIN FRAME - OLE	SEMI-ENCLOSED
END FRAME - OLE	OPEN
MAIN FRAME - LE	SEMI-ENCLOSED
END FRAME - LE	OPEN

GREEN (GRD)	29/31[737/787]	#10 EYELET
BROWN/WHITE	35/37[889/940]	.25[6.35] FLAG
BROWN	35/37[889/940]	.25[6.35] FLAG
WHITE	35/37[889/940]	.60[15.24] SKIN
BLACK	35/37[889/940]	.60[15.24] SKIN
BLUE	35/37[889/940]	.60[15.24] SKIN
RED	35/37[889/940]	.60[15.24] SKIN
COLOR	LENGTH	TERMINAL OR STRIP LENGTH

LEAD DATA

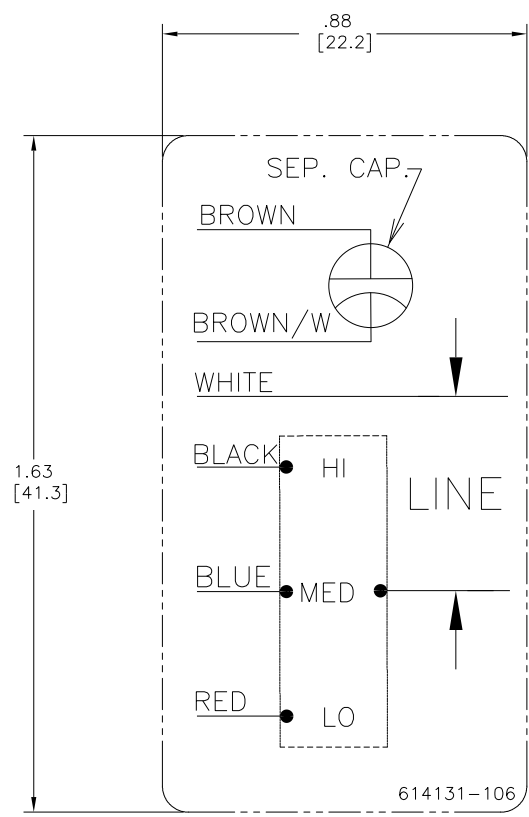
ENCLOSURE	CUST.	DISTRIBUTION SERVICES
-----------	-------	-----------------------

NAMEPLATE DATA:	EXTERNAL CONNECTION DIAGRAM
MODEL: F48SP6L13 CUST. P/N: RA1056 HP: 1/2 ROT: CCWLE RPM: 1075/3 SPD. TYPE: UF FRAME: 48Y VOLTS: 208-230 PH: 1 AMPS: 2.7 (3.4 MAX.) HZ: 60 INS: B AMB: 60 °C DUTY: AIR OVER CAP.: 7.5 MFD/370V ENCL: SEMI-ENCL. CSA LOGO UL LOGO THERMALLY PROTECTED	<p>614131-106</p>

PERFORMANCE CURVE NO.	TORQUE @1100 RPM (25°C)	APPROVED SAMPLE	UL COMPONENT		CSA	
C23004	42.5 OZ. FT.	EX11257	FILE	GUIDE	FILE	GUIDE
			E46412	PRGY2	LR43341	260-0-0

DRAWING REVISION D	REVISION BY GELINE.ZHAO	DATE 11-21-2019
ECO-0177367	APPROVED BY KEYUN.GONG	DATE 11-21-2019
ECO DESCRIPTION CHANGE THE BEARING FROM BALL TO SLEEVE		
COPYRIGHT REGAL-BELOIT AMERICA, INC. ALL RIGHTS RESERVED. PROPRIETARY AND CONFIDENTIAL INFORMATION - THIS DOCUMENT IS THE PROPERTY OF REGAL-BELOIT AMERICA, INC. (OWNER) AND CONTAINS OWNER'S PROPRIETARY INFORMATION. ANY PERSON, CORPORATION OR OTHER FIRM RECEIVING IT IS DEEMED, BY RECEIVING IT, TO AGREE THAT IT, AND/OR ANY PART OF IT, SHALL NOT BE DISCLOSED TO ANY PERSON, CORPORATION OR OTHER ENTITY, DUPLICATED, AND/OR USED, EXCEPT AS EXPRESSLY APPROVED IN WRITING IN ADVANCE BY OWNER. THIS DOCUMENT SHALL BE RETURNED TO OWNER UPON REQUEST. IT MAY BE SUBJECT TO CERTAIN RESTRICTIONS UNDER APPLICABLE EXPORT CONTROL LAWS AND REGULATIONS.		

DRAWN BY: G.ZHAO	Regal Beloit America, Inc.
DATE: 08-31-2016	
APPROVED BY: C.ZHOU	
DATE: 08-31-2016	
PROCESS/FINISH	DESCRIPTION MODEL-RFHP-48FR OUTLINE
THIRD ANGLE PROJECTION	MATERIAL
SIZE DWG NO C	RA1056
	SHEET 1



NOTES:

1. FOR USE WITH 614129 OR 2513020-001 NAMEPLATE BLANKS
2. _____ INDICATES DIMENSION LIMITS

DRAWING REVISION D	REVISION BY J. RUPERT	DATE 09-08-2022	TOLERANCES UNLESS OTHERWISE SPECIFIED DEC. INCH mm ANGLE .X ±0.1 [±2.5] ±0.5° .XX ±0.02 [±0.51] .XXX ±0.005 [±0.127] XXXX ±0.0005 [±0.0127]	DRAWN BY: PZ	Regal Beloit America, Inc.	
ECO NMR-0216370	APPROVED BY J. RUPERT	DATE 09-08-2022	REMOVE BURRS & BREAK SHARP EDGES .003/.015 [0.076/.381] X 45° CORNER FILLETS R.02 [51] MACHINED SURFACES .125/ mm 32/ INCH mm 32/ mm SHOWN IN [BRACKETS]	DATE: 04-12-2011		
ECO DESCRIPTION REVISED FOR UP ISSUE			THIRD ANGLE PROJECTION	APPROVED BY: Tiger Wong	DESCRIPTION CONN-DIAGRAM NAMEPLATE	
<small> COPYRIGHT REGAL BELOIT AMERICA, INC. ALL RIGHTS RESERVED. PROPRIETARY AND CONFIDENTIAL INFORMATION - THIS DOCUMENT IS THE PROPERTY OF REGAL BELOIT AMERICA, INC. (OWNER) AND CONTAINS OWNER'S PROPRIETARY INFORMATION. ANY REPRODUCTION OR OTHER FIRM RECEIVING IT IS DENIED. BY RECEIVING IT, TO AGREE THAT IT, AND/OR ANY PART OF IT, SHALL NOT BE DISCLOSED TO ANY PERSON, CORPORATION OR OTHER ENTITY, DUPLICATED, AND/OR USED, EXCEPT AS EXPRESSLY APPROVED IN WRITING IN ADVANCE BY OWNER. THIS DOCUMENT SHALL BE RETURNED TO OWNER UPON REQUEST. IT MAY BE SUBJECT TO CERTAIN RESTRICTIONS UNDER APPLICABLE EXPORT CONTROL LAWS AND REGULATIONS. </small>			DATE: 04-12-2011	REFERENCE	MATERIAL	PROCESS/FINISH
			SIZE DWG NO C 614131-106	THIRD ANGLE PROJECTION	SHEET 1	