

## UEZ Series

**High Efficiency, Separated Combustion,  
Low Static Axial Fan Residential and  
Commercial/Industrial Unit Heaters**  
**91 – 93% Thermal Efficiency**



Reznor® Model UEZ gas-fired unit heaters are available in 7 sizes ranging from 55,000 to 305,000 BTUH gas input. Model UEZ heaters are approved for installation in the United States and Canada by ETL. The flow-optimized secondary heat exchanger has a 1/2" PVC pipe for attaching a coupling for ease of installation and cleaning of the required condensate drain. A 4" PVC cleanout cap that is drilled and tapped for a 1/2" NPT fitting is furnished with the heater for attaching the vent condensate drain.

Reznor® Model UEZ unit heaters offer a sleek design sure to complement any space. The UEZ features a two-tone black and white powder coated, scratch-resistant paint scheme with a single red louver. Each unit has clean rounded corners and edges with no visible screws or fasteners, and the bottom is embossed with the Reznor logo. Model UEZ unit heaters provide the same superior performance customers have relied on for more than 100 years along with added features that make servicing the unit easier, installation safer and improve monitoring capabilities.

## FEATURES and BENEFITS

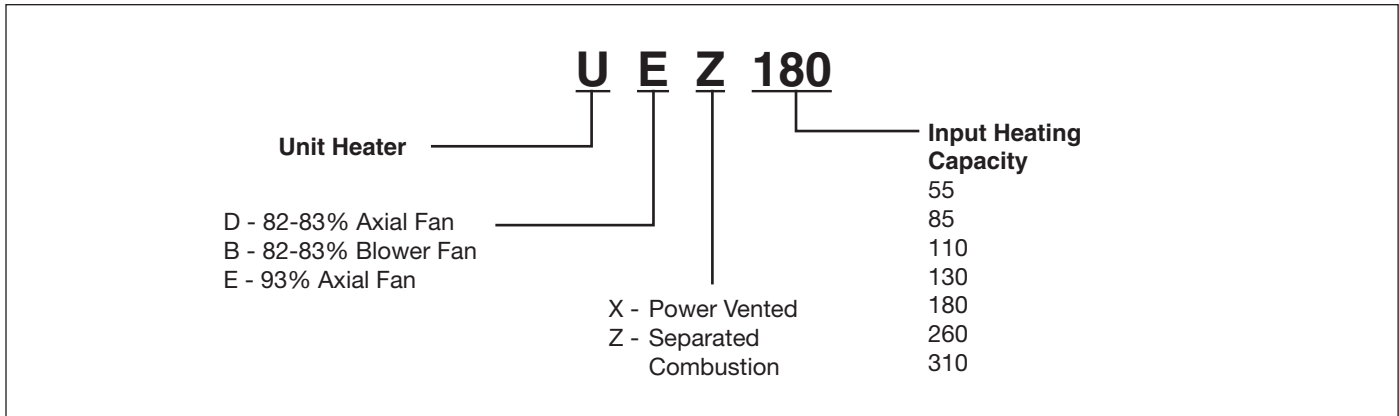
- Arranged for use with natural gas
- Propane conversion kit
- 50-60°F temperature rise range
- Integrated circuit board with 7 segment display
- External status indicating LED
- Hinged door with ¼ turn latch
- Improved cabinet design with removable front face and two tone white and black powder paint
- Integrated horizontal louvers in front face
- Reznor logo embossed on bottom of unit
- Tcore3 409 stainless steel primary heat exchanger with extruded aluminum flow-optimized secondary heat exchanger
- Patented single burner combustion system including a one-piece burner assembly
- 115V, 1 phase, 60 Hz supply voltage
- 115V open fan motor with internal overload protection
- Transformer for 24-volt controls
- Multi-try direct ignition with timed lockout
- Fan relay (included on the circuit board)
- Single-stage natural gas valve
- Vibration/noise isolated fan motor
- Sealed control compartment houses all electrical components
- 48 frame, ball bearing, PSC venter motor
- 4-point Suspension
- Built-in disconnect switch (20A @ 115V Rating)
- External terminal strip for 24-volt wiring
- Sealed junction box for supply wiring
- External gas connection
- Fully gasketed door panel with safety door switch
- Full fan guard ~ engineered for safety

## OPTIONAL FEATURES

- Primary/Secondary controls for zoning up to 6 units
- Totally enclosed fan motor (sizes 30-400)
- Horizontal or vertical combustion air/vent kit including concentric adapter<sup>B</sup>
- Thermostat
- Thermostat guard with locking cover
- Vertical louvers
- Downturn nozzle kits
- Manual shutoff valves

<sup>B</sup> Selection of either a horizontal or vertical combustion air/vent kit is required

## MODEL IDENTIFICATION CODES



## TECHNICAL DATA

Parameter	Unit Size						
	055	085	110	130	180	260	310
Input heating capacity (BTU/h)	55,000	85,000	110,000	131,000	175,000	260,000	305,000
Input heating capacity (kW)	16.1	24.9	32.2	38.4	51.2	76.1	89.3
Thermal efficiency (%)	93			93	91	92	91
Output heating capacity (BTU/h)*	51,150	79,050	102,300	121,830	159,250	239,200	277,550
Output heating capacity (kW)*	15.0	23.2	30.0	35.7	46.6	70.0	81.3
Gas connection, natural (inches)**	1/2			1/2		3/4	
Gas connection, propane (inches)**	1/2			1/2		3/4	
Vent connection diameter (inches)	2			4		4	
Combustion air inlet diameter (inches)	2			6		6	
Control, 24V (amps)	1.0			1.0		1.0	
Full load amps, 115V (amps)	1.6	2.2	4.4	6.3		10.0	
Maximum overcurrent protection, 115V (amps)***	15.0			15.0		20.0	
Normal power consumption (watts)	180	240	403	657		1020	
Discharge air temperature rise (°F)	50	55		50	60	50	60
Air volume (cfm)	967	1206	1793	2256	2458	4430	4283
Air volume (meters <sup>3</sup> /minute)	27.4	34.2	50.8	63.9	69.6	125.4	121.3
Discharge air opening area (feet <sup>2</sup> )	1.38	1.86	2.24	2.56		4.79	
Discharge air opening area (meters <sup>2</sup> )	0.13	0.17	0.21	0.2		0.5	
Output velocity (fpm)	701	659	800	883	962	924	894
Output velocity (meters/minute)	214	201	244	269	293	282	272
Standard open fan motor size (horsepower)	1/20			1/4		1/2	
Optional enclosed fan motor size (horsepower)	1/20			1/4		1/2	
Fan motor speed (rpm)	1050			1050		1050	
Fan diameter (inches)	12	16	18	18		24	
Approximate condensate per hour (gallons)	1/2			1		2	
Approximate condensate per hour (liters)	1.5			3.8		7.6	

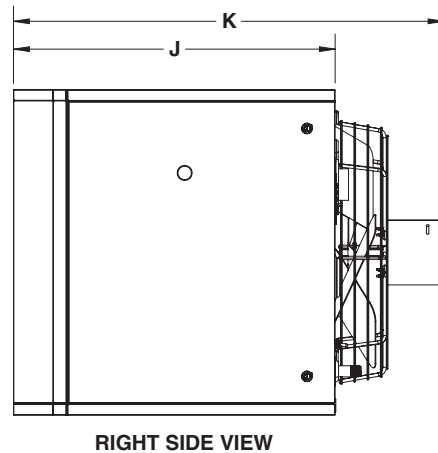
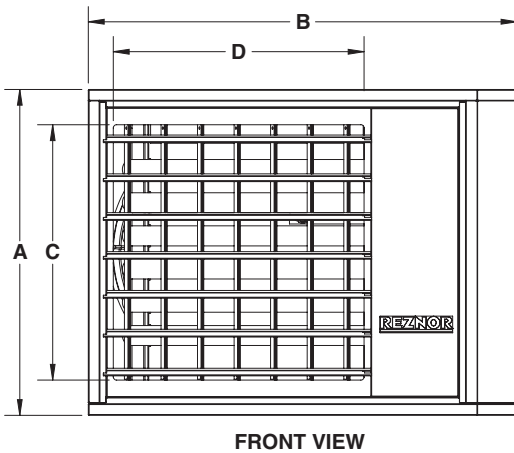
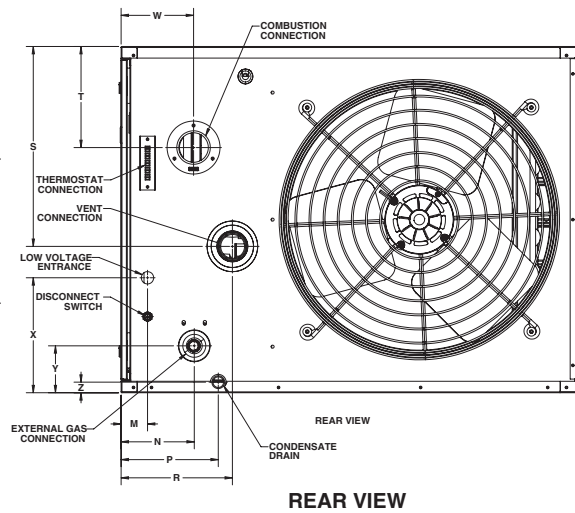
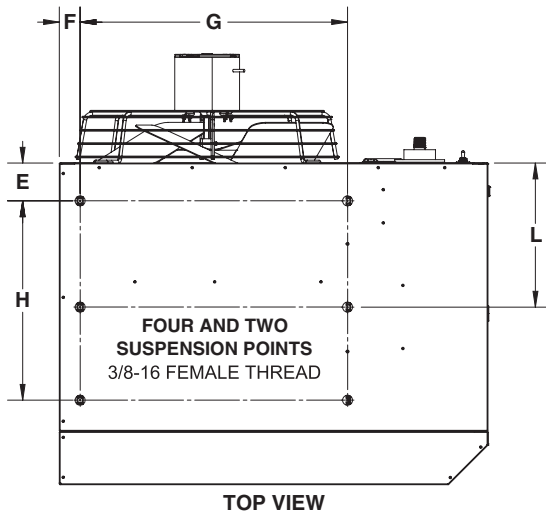
\*CSA ratings for elevations up to 2,000 feet.

\*\*Size shown is for gas connection to a single-stage gas valve—not supply line size.

\*\*\*MOCP = 2.25 × (largest motor FLA) + smallest motor FLA. Answer is rounded to the next lower standard circuit breaker size.

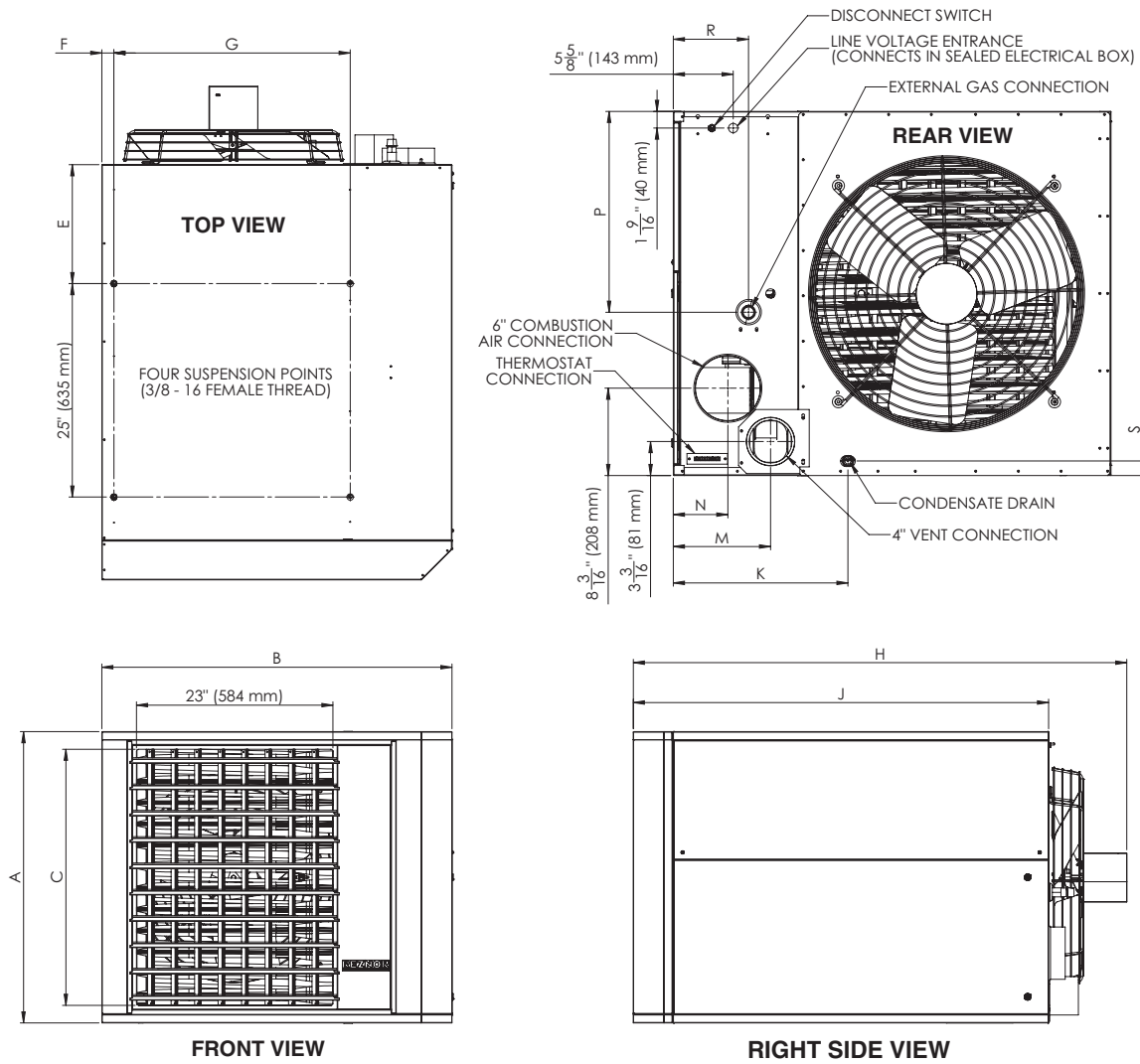
# DIMENSIONS

Dimension	Unit Size				
	055	085	110	130, 180	260, 310
	Inches ( $\pm 1/8$ ) (mm ( $\pm 3$ ))				
A	17-5/8 (448)	21 (533)	24-1/2 (622)	20-1/8 (511)	34-1/8 (867)
B	28-1/4 (718)	30-1/4 (768)	32-1/4 (819)	39-3/16 (995)	41 (1041)
C	12-1/2 (318)	16-7/8 (429)	19-1/4 (489)	16-1/16 (408)	30 (762)
D	15-7/8 (403)	17-7/8 (454)	18-7/8 (479)	—	
E	2-27/32 (72)			11-31/32 (304)	13-31/32 (355)
F	1-9/16 (40)			2-3/8 (60)	1-13/32 (36)
G	18-1/8 (460)	20-1/8 (511)		25-11/16 (652)	27-11/16 (703)
H	15 (381)			55-13/32 (1407)	58 (1473)
J	24-1/4 (616)			46-1/32 (1169)	48-21/32 (1236)
K	31 (787)	33 (838)		15-19/32 (396)	16-15/32 (418)
L	12 (305)		10-7/8 (276)	—	
M	2 (51)	1-7/8 (48)		8-5/16 (211)	9-3/32 (231)
N	3-3/16 (81)		5-3/16 (132)	4-5/16 (110)	5-3/32 (129)
P	4-7/8 (124)		6-7/8 (175)	5-1/16 (129)	18-13/16 (478)
R	6 (152)		7-7/8 (200)	6-9/32 (160)	7 1/32 (179)
S	7-1/4 (184)	10-11/16 (271)	14-1/8 (359)	1-3/4 (45)	1-3/8 (35)
T	3-1/4 (83)	3-11/16 (94)	7-7/8 (200)	—	
W	3-3/16 (81)		5-1/8 (130)	—	
X	6-1/8 (156)	10-11/16 (271)	8-1/8 (206)	—	
Y	2-1/4 (57)		3-3/8 (86)	—	
Z	3/4 (19)		—		



Unit Sizes 055 – 110

# DIMENSIONS continued



Unit Sizes 130 – 310

## CLEARANCES FROM COMBUSTIBLES

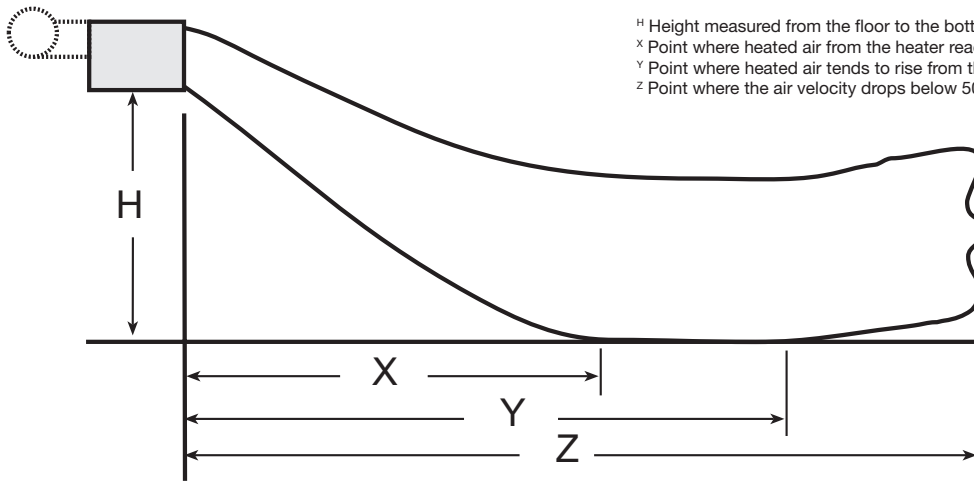
Top		Flue Connector		Access Panel <sup>J</sup>		Non-Access Side		Bottom <sup>K</sup>		Rear <sup>L</sup>	
inches	mm	inches	mm	inches	mm	inches	mm	inches	mm	inches	mm
4	102	6	152	18	457	2	51	1	25	18	457

<sup>J</sup> Access Panel clearance is required for service clearance to controls

<sup>K</sup> Suspend the heater so that the bottom is a minimum of 5' (1.5M) above the floor.

<sup>L</sup> Rear clearance is required for air movement. Rear clearance should be measured from the fan motor.

# THROW/FLOOR COVERAGE



Unit Size	Distance (Feet (Meters))			Louver Angle*	Distance (Feet (Meters))			Louver Angle*	Distance (Feet (Meters))			Louver Angle*	Distance (Feet (Meters))			Louver Angle*
	H = 5 (1.5)				H = 8 (2.4)				H = 10 (3.0)				H = 12 (3.7)			
	X	Y	Z		X	Y	Z		X	Y	Z		X	Y	Z	
055	13 (4)	17 (5)	37 (11)	15°	11 (3)	16 (5)	35 (11)	27°	13 (4)	17 (5)	33 (10)	32°	—			
085	11 (3)	15 (5)	44 (13)	15°	14 (4)	17 (5)	42 (13)	22°	13 (4)	17 (5)	38 (12)	27°	16 (5)	19 (6)	35 (11)	32°
110	12 (4)	17 (5)	49 (15)	15°	13 (4)	21 (6)	46 (14)	22°	14 (4)	17 (5)	43 (13)	27°	14 (4)	17 (5)	41 (12)	32°
130	—				13 (4)	24 (7)	73 (22)	26°	14 (4)	24 (7)	69 (21)	32°	14 (4)	24 (7)	64 (20)	39°
180	—				16 (5)	30 (9)	93 (28)	20°	17 (5)	31 (9)	91 (28)	25°	18 (6)	31 (9)	88 (27)	30°
260	—				15 (5)	28 (9)	94 (29)	24°	16 (5)	28 (9)	89 (27)	29°	17 (5)	28 (9)	85 (26)	34°
310	—				17 (5)	31 (9)	105 (32)	20°	18 (6)	32 (10)	103 (31)	25°	19 (6)	32 (10)	98 (30)	30°

\*Downward

**Heater Throw Distances with Standard Horizontal Louvers at Mounting Heights of 5–12 Feet (5.3–3.7 Meters)**

Unit Size	Distance (Feet (Meters))			Louver Angle*	Distance (Feet (Meters))			Louver Angle*	Distance (Feet (Meters))			Louver Angle*
	H = 14 (4.3)				H = 16 (4.9)				H = 18 (5.5)			
	X	Y	Z		X	Y	Z		X	Y	Z	
055	—				—				—			
085	14 (4)	17 (5)	30 (9)	39°	—				—			
110	14 (4)	18 (6)	41 (12)	36°	—				—			
130	14 (4)	22 (7)	59 (18)	45°	13 (4)	20 (6)	53 (16)	51°	11 (3)	17 (5)	44 (13)	58°
180	19 (6)	30 (9)	84 (26)	34°	19 (6)	29 (9)	79 (24)	39°	19 (6)	28 (9)	74 (23)	44°
260	17 (5)	27 (8)	80 (24)	40°	17 (5)	25 (8)	74 (23)	45°	16 (5)	24 (7)	66 (20)	51°
310	20 (6)	32 (10)	95 (29)	34°	21 (6)	31 (9)	90 (27)	38°	20 (6)	30 (9)	85 (26)	43°

\*Downward

**Heater Throw Distances with Standard Horizontal Louvers at Mounting Heights of 14–18 Feet (4.3–5.5 Meters)**

## GENERAL INFORMATION

**WARNING: Gas-fired appliances are not designed for use in hazardous atmospheres containing flammable vapors or combustible dust, or atmospheres containing chlorinated or halogenated hydrocarbons.**

Installations in public garages or airplane hangars are permitted when in accordance with ANSI Z223.1 and NFPA 54 codes or CAN1-B149 and enforcing authorities.

---

### **FOR YOUR SAFETY**

What to do if you smell gas:

- Do not try to light any appliance.
  - Do not touch any electrical switch; do not use any phone in your building.
  - Immediately call your gas supplier from a neighbor's phone. Follow the gas supplier's instructions.
  - If you cannot reach your gas supplier, immediately call your fire department.
- 

### **FOR YOUR SAFETY**

Do not store or use gasoline or other flammable vapors and liquids in the vicinity of this or any other appliance.

**WARNING: Improper installation, adjustment, alteration, service, or maintenance can cause property damage, injury, or death. Read the installation, operation, and maintenance instructions thoroughly before installing or servicing this equipment.**

Requirements for installation vary depending on the model of heater and the type of installation. Follow the manufacturer's instructions and comply with all applicable codes.





**HRAI**  
✓ MEMBER COMPANY

For complete catalog information including submittals, energy calculations, dimension drawings, and more go to [www.ReznorHVAC.com](http://www.ReznorHVAC.com) or call 800-695-1901.

*Note: In keeping with our policy of continuous product improvement, we reserve the right to alter, at any time, the design, construction, dimensions, weights, etc., of equipment information shown here.*

© 2022 Nortek Global HVAC, LLC.  
Reznor is a registered trademark of Nortek Global HVAC, LLC. All other trademarks are the property of their respective owners.  
All rights Reserved. Printed in U.S.A.

656F-1022 (Replaces 656F-0922)

**REZNOR®**