

FAST-STAT

HVAC WIRING EXTENDER

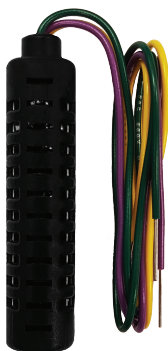
Add or Upgrade HVAC Equipment Without Installing New Cables

Each model contains a **Sender** and **Receiver** unit

Receiver

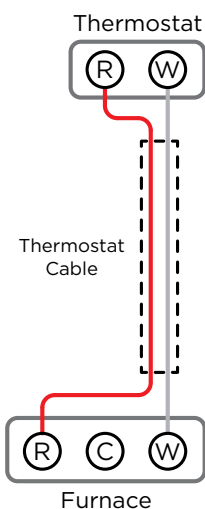


Sender

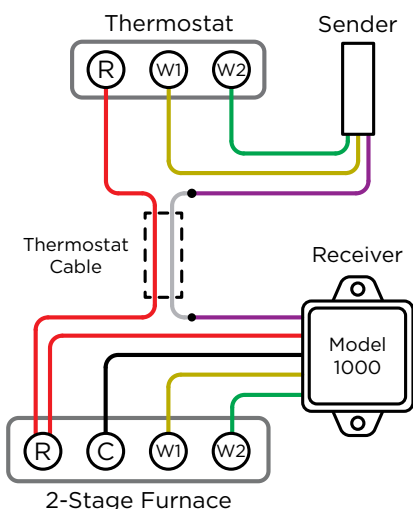


Example: Upgrading to a 2-Stage Furnace

Before



After



There are six models available to cover a wide range of applications. See back for details.

nordic TECHNOLOGY

All models provide a reliable wired connection, require no batteries or programming, and have a lifetime warranty.

Common Maker

Manufacturer #FSCM00

- Adds a common 'C' connection for Wi-Fi and powered thermostats

Model 1000

Manufacturer #FS1000

- Adds one control wire to a thermostat or condenser cable
- Used for adding 2-stage heating or air conditioning, cable repairs, and more

Model 3000

Manufacturer #FS3000

- Adds two control wires to a thermostat or condenser cable
- Typically used for adding air conditioning to a heat-only system

Model 5000

Manufacturer #FS5000

- Adds a common 'C' connection and three control wires to a thermostat cable
- Used for upgrading a heat-only system to 2-stage heating and air conditioning

Model 7000

Manufacturer #FS7000

- For air conditioner to heat pump conversions. Extends the wiring between the thermostat, indoor unit, and heat pump (3-part kit)
- Allows all functions of a 2-stage heat pump to function over a 4-wire thermostat cable and 2-wire condenser cable

Model 9000

Manufacturer #FS9000

- For air conditioner to heat pump conversions. Extends the wiring between the indoor unit and heat pump (2-part kit)
- Allows all functions of a 2-stage heat pump to function over a 2-wire condenser cable

www.fast-stat.com 1-800-775-4750

4-883 McCurdy Pl, Kelowna, BC, V1X 8C8

nordic TECHNOLOGY