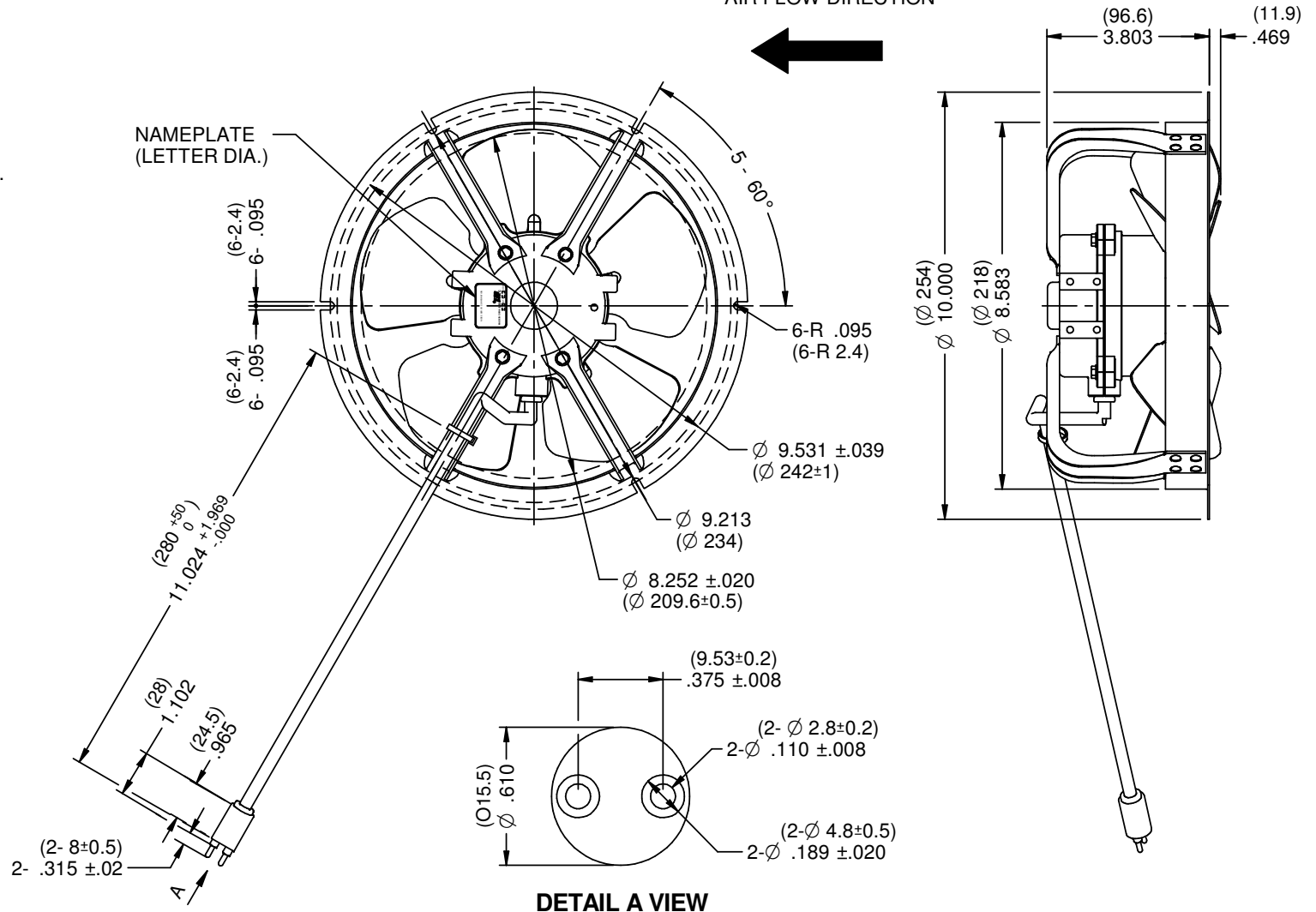


MODEL	REF	CUSTOMER	CFM	VOLTS	AMPS	HZ	RPM	ROTATION	CUST. PT. NO	DESCRIPTION / REMARKS
M035TAY0116013B		WHOLESALE-HAC	350	115/230	15/.86	60	1700	CW OSE	EC5472FP	

NOTES:

- 1.) FAN ROTATION: CW OSE
- 2.) FIVE BLADES PITCH ARE 72 DEGREES
- 3.) THE MATERIAL OF IMPELLER IS MADE FROM HOT-DIP ZINC-COATED STEEL SHEETS AND THICKNESS IS 1mm.

AIR FLOW DIRECTION



EC5472FP
 NIDEC SERVO CORPORATION
 AC115V-AC230V 1700RPM
 0.15-0.86 Arms CW OSE
 -40°C~55°C AMB CLASS A
 FP8S20UF-902 60Hz
 IP67
 AO TP
 E58417
 MADE IN CHINA

DATE [] CODE []

NIDEC MOTOR CORPORATION 08-Jul-19

REFER TO S.E.I.M. 24-1

REVISION RECORD FOR:		DIMENSIONS ARE FOR REFERENCE ONLY		NIDEC MOTOR CORPORATION			
CREATED NEW DRAWING		UNLESS TOLERANCE IS SPECIFIED		INFORMATION DISCLOSED ON THIS DOCUMENT IS CONSIDERED PROPRIETARY AND SHALL NOT BE REPRODUCED OR DISCLOSED WITHOUT WRITTEN CONSENT OF NIDEC MOTOR CORPORATION			
ISSUED BY: F. GARCIA		ENGINEER APPROVED: Z. TREVIÑO		TITLE	CODE	ITEM NO.	REVISION DATE
				CUSTOMER DETAIL DRAWING	V02	827978	08-JUL-19
							REV SHEET NUMBER DWG SIZE
							- 1 OF 3 B