

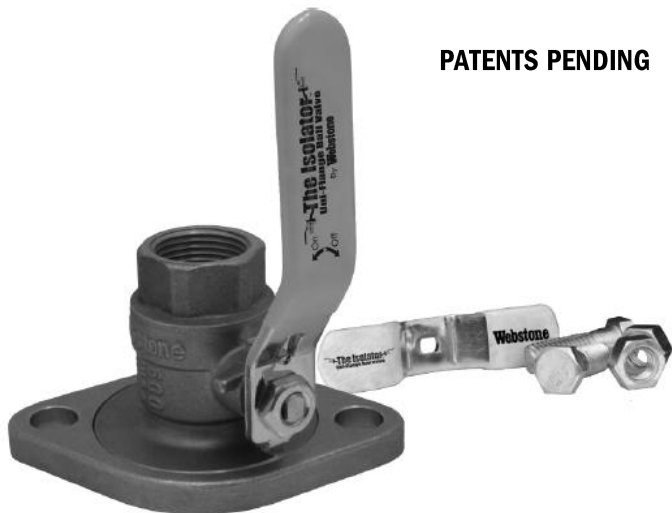
**THIS SPACE FOR DESIGNER/ENGINEER APPROVAL**

Job/Customer _____	Date _____	Contractor _____
Model Specified _____	Qty _____	Approved By _____
Designer/Engineer _____	Date _____	Contractor's PO# _____
Submitted by _____	Date _____	Other _____

**4140 Series**  
**Full Port Forged Brass Uni-Flange Ball Valves**  
**w/ Detachable Rotating Flange**  
**Bonus Wing Style "T" Handle, Nuts & Bolts**  
**IPS x Rotating Flange**  
**600 WOG**  
**ISO 9001**



ITEM #	SIZE	CTN	CASE	A	B	C	D	E	F	G	H	I
41403	3/4"	2	20	3/4	2 3/8	2 13/16	3/78	7/16	1/2	1 1/2	2 11/16	4 1/8
41404	1"	2	20	1	3 1/16	2 5/8	4 11/16	7/16	1/2	1 1/2	2 11/16	4 1/8
41405	1 1/4"	2	20	1 1/4	3 1/4	2 15/16	4 11/16	7/16	1/2	1 1/2	2 11/16	4 1/8
41406	1 1/2"	2	20	1 1/2	4	3 1/2	5 5/8	7/16	1/2	1 1/2	2 11/16	4 1/8
<b>HV MODELS FIT BOTH STANDARD &amp; HIGH VELOCITY PUMPS</b>												
41404HV	1"	2	20	1	3 1/16	2 5/8	4 11/16	7/16	5/8	1 1/2	2 11/16	4 1/8
41405HV	1 1/4"	2	20	1 1/4	3 1/4	2 15/16	4 11/16	7/16	5/8	1 1/2	2 11/16	4 1/8
41406HV	1 1/2"	2	20	1 1/2	4	3 1/2	5 5/8	7/16	5/8	1 1/2	2 11/16	4 1/8



NO.	DESCRIPTION	MATERIAL
1	FLANGED BODY	BRASS
2	END CAP	BRASS
3	SEATS	PTFE
4	BALL	BRASS HCP
5	STEM	BRASS
6	STEM SEAL	PTFE
7	PACKING GLAND	BRASS
8	LEVER HANDLE	STEEL CP
9	WING STYLE "T" HANDLE	STEEL CP
10	HANDLE NUT	STAINLESS STEEL
11	HANDLE JACKET	VINYL
12	ROTATING FLANGE	BRASS
13	ROTATING FLANGE RING	STAINLESS STEEL
14	FLANGE BOLTS & NUTS	STEEL ZP

TEMP °F	PSI
100	600
150	485
200	395
250	210
300	N/A
350	N/A
366	N/A



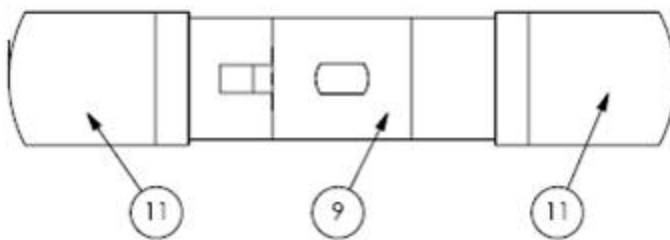
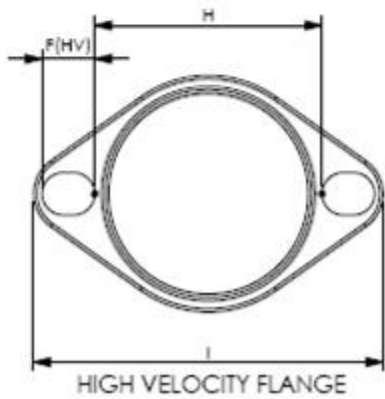
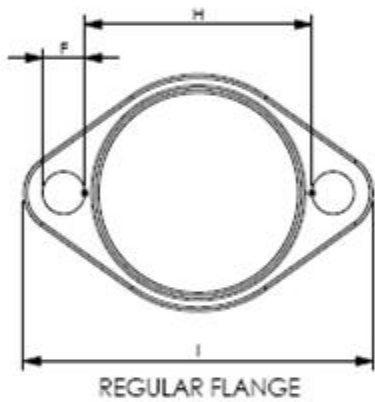
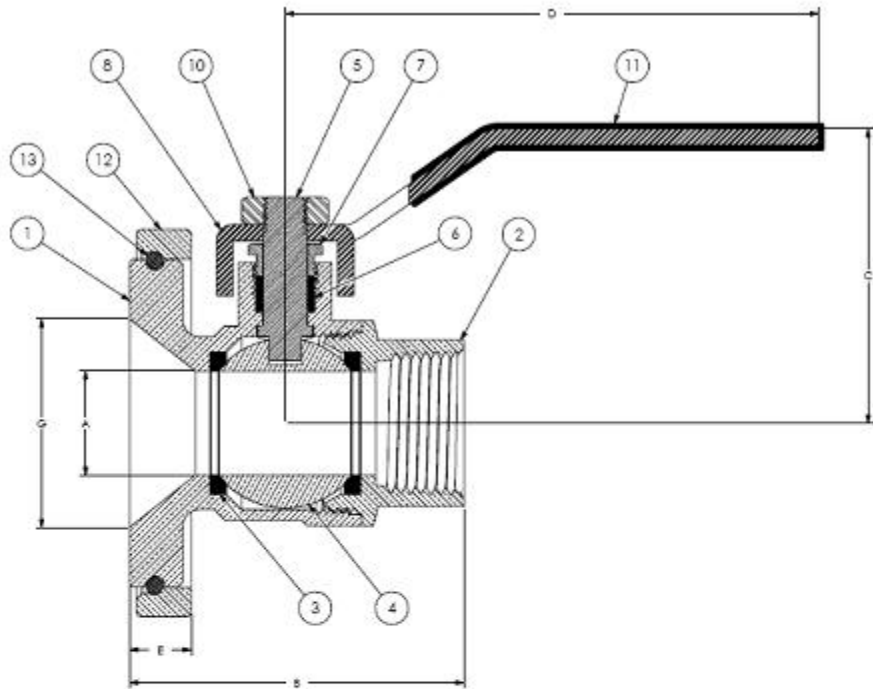
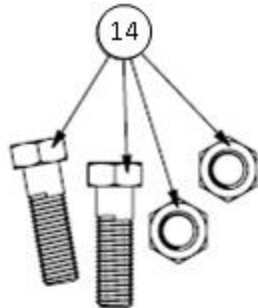
Quality and Commitment Since 1954

www.webstonevalves.com · P: (800) 225-9529 · F: (800) 336-5133

Webstone product specifications in U.S. customary units are approximate and are provided for reference only. Webstone reserves the right to change or modify product design, construction, specifications or materials without prior notice and without incurring any obligation to make such changes and modifications on Webstone products previously or subsequently sold.

**THIS SPACE FOR DESIGNER/ENGINEER APPROVAL**

Job/Customer _____	Date _____	Contractor _____
Model Specified _____	Qty _____	Approved By _____
Designer/Engineer _____	Date _____	Contractor's PO# _____
Submitted by _____	Date _____	Other _____



**Specifications:** Designed for residential, commercial or industrial use with water or a glycol mixture. This approved Webstone valve is actuated by a blowout proof stem and features an adjustable packing gland. Flange features a conical inlet to minimize turbulence. The rotating flange is secured by a snug-fit snap-ring that provides greater control over positioning during installation. Threaded ends comply with ANSI B1.20.1.



Quality and Commitment Since 1954

www.webstonevalves.com · P: (800) 225-9529 · F: (800) 336-5133

Webstone product specifications in U.S. customary units are approximate and are provided for reference only. Webstone reserves the right to change or modify product design, construction, specifications or materials without prior notice and without incurring any obligation to make such changes and modifications on Webstone products previously or subsequently sold.