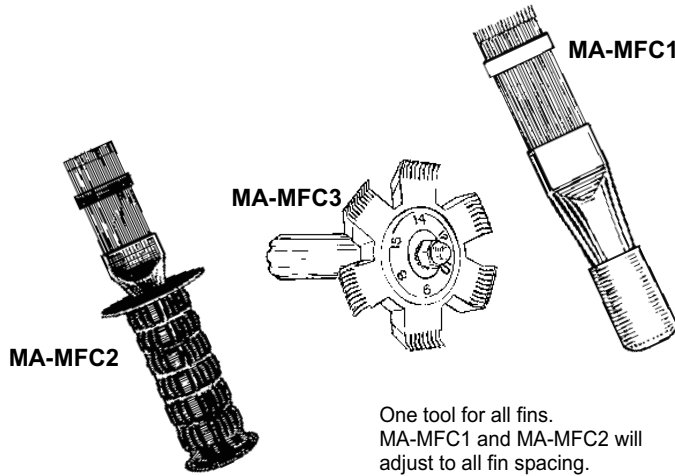


FIN COMBS

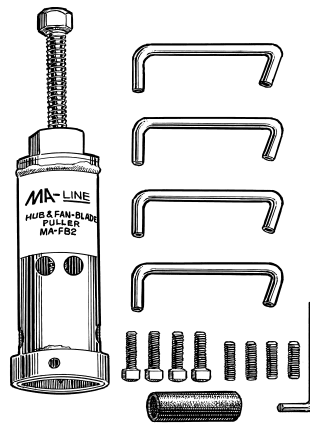


One tool for all fins. MA-MFC1 and MA-MFC2 will adjust to all fin spacing.

Part	Description
MA-MFC1	All Metal Fin Comb
MA-MFC2	Metal Fin Comb with Handle
MA-MFC3	6 in 1 Fin Comb.

For fins having spacings of 8, 9, 10, 12, 14, & 15 fins/inch (Nylon combs)

HUB PULLER

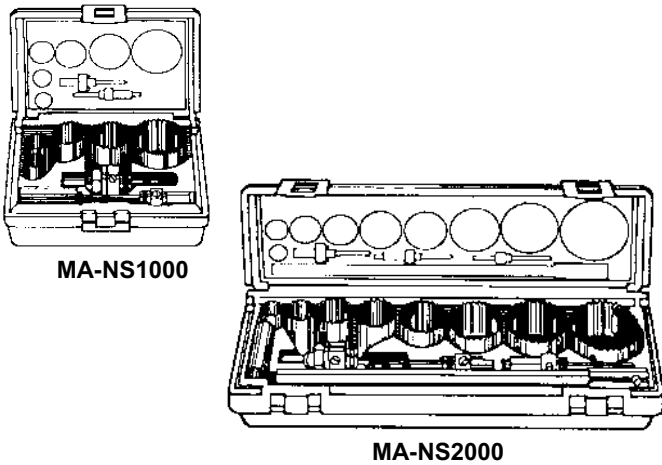


- FEATURES:**
- Hardened Chrome Moly
 - 5/8" Steel Center Shaft
 - Alignment Tool Included

MA-LINE HUB PULLER is 2 pullers in one! Pull off fan blades and blower wheels. Made of long lasting heavy steel construction. Bar top for easy gripping with a wrench. Hardened steel fingers to remove fan blades with unaccessible hubs. MA-FB2 is made of hardened steel.

Part	Description
MA-FB2	Hub Puller

HOLE SAW KITS



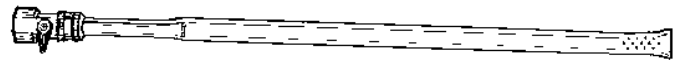
Part	Description
MA-NS1000	6 Piece - 6 Saws contains 1 each: 3/4", 7/8", 1-1/8", 1-1/2", 1-3/4", 2-1/4" hole saws plus NS1 and NS2 arbors in plastic case
MA-NS2000	9 Piece - 9 saws contains 1 each: 3/4", 7/8", 1-1/8", 1-3/8", 1-1/2", 1-3/4", 2", 2-1/4", 2-1/2" hole saws plus NS1, NS2, NS3 arbors & pilot drill in plastic case
Replacement Hole Saws, Arbors and Extensions	
MA-NS1	7/16" Hex Shank Arbor 9/16" to 1-1/8" Hole Saws 1/2" x 20 Thread
MA-NS2	7/16" Hex Shank Arbor 1-1/4" to 6" Hole Saws 5/8" x 18 Thread
MA-NS12	3/4" Bi-Metal Hole saw
MA-NS14	7/8" Bi-Metal Hole saw
MA-NS16	1" Bi-Metal Hole saw
MA-NS18	1-1/8" Bi-Metal Hole saw
MA-NS22	1-3/8" Bi-Metal Hole saw
MA-NS24	1-1/2" Bi-Metal Hole saw
MA-NS26	1-5/8" Bi-Metal Hole saw
MA-NS28	1-3/4" Bi-Metal Hole saw
MA-NS32	2" Bi-Metal Hole saw
MA-NS36	2-1/4" Bi-Metal Hole saw
MA-NS40	2-1/2" Bi-Metal Hole saw
MA-NSPD1	1/4" x 4" Pilot Drill

TWIST DRILL SET AND HIGH SPEED STEEL TWIST DRILLS JOBBERS LENGTH



Part	Description
MA-147B	13 piece drill set 1/16"-1/4" in round plastic case

CONDENSER CLEANING TOOL



The MA-Line Condenser Cleaning Tool is a rugged commercial quality 30" long tool. It is precision formed and machined of thick wall aluminum tubing, with a flow control on-off valve, and comes with a one-year warranty. It is the only tool that is designed specifically to clean air conditioning condensing units. It is a unique power sprayer that simply attaches to a regular garden hose. It develops more than four times the cleaning power of a standard nozzle because of its 13 parallel jet streams of water. It delivers a powerful, accurate, but gentle flow that easily flushes lint, hair, dirt, grass clippings, cottonwood fuzzies, and other impurities from the coil.

Part	Description
MA-0230	30" Long Condenser Cleaning Tool