

THIS SPACE FOR DESIGNER/ENGINEER APPROVAL

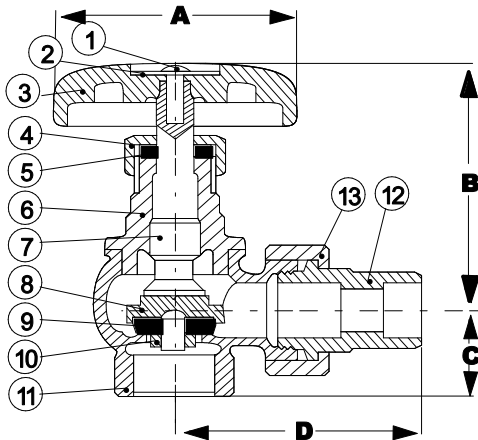
Job/Customer _____	Date _____	Contractor _____
Model Specified _____	Qty _____	Approved By _____
Designer/Engineer _____	Date _____	Contractor's PO# _____
Submitted by _____	Date _____	Other _____

1155 Series
Brass Hot Water Radiator Globe Valves
Angled w/ Ground Joint Union Tailpiece & Nut
IPS
60 PSI
ISO 9001

ITEM #	SIZE	CTN	CASE	A	B	C	D
11553	3/4"	6	48	2 3/8	2 5/16	1 1/4	2 5/8
11554	1"	4	36	3 1/16	2 3/4	1 1/4	2 13/16
11555	1 1/4"	2	24	3 5/16	3 7/16	1 7/16	3 3/16
11556	1 1/2"	2	16	3 5/8	3 5/8	1 7/16	3 11/16



NO.	DESCRIPTION	MATERIAL
1	HANDLE BOLT	HOT ROLLED STEEL
2	NAME PLATE	ALUMINUM
3	HAND WHEEL	PHENOLIC
4	PACKING NUT	BRASS
5	PACKING GLAND	PTFE
6	BONNET	BRASS
7	STEM	BRASS
8	SEAT HOLDER	BRASS
9	SEAT PACKING	BRASS
10	SEAT NUT	BRASS
11	BODY	BRASS
12	NIPPLE	BRASS
13	NIPPLE NUT	BRASS



Specifications: Designed for residential and commercial use in hydronic applications. Not recommended for use with steam. Seepage feature in seat helps prevent freezing when valve is in the off position. Threaded ends comply with ANSI B1.20.1.



Quality and Commitment Since 1954

www.webstonevalves.com · P: (800) 225-9529 · F: (800) 336-5133

Webstone product specifications in U.S. customary units are approximate and are provided for reference only. Webstone reserves the right to change or modify product design, construction, specifications or materials without prior notice and without incurring any obligation to make such changes and modifications on Webstone products previously or subsequently sold.