



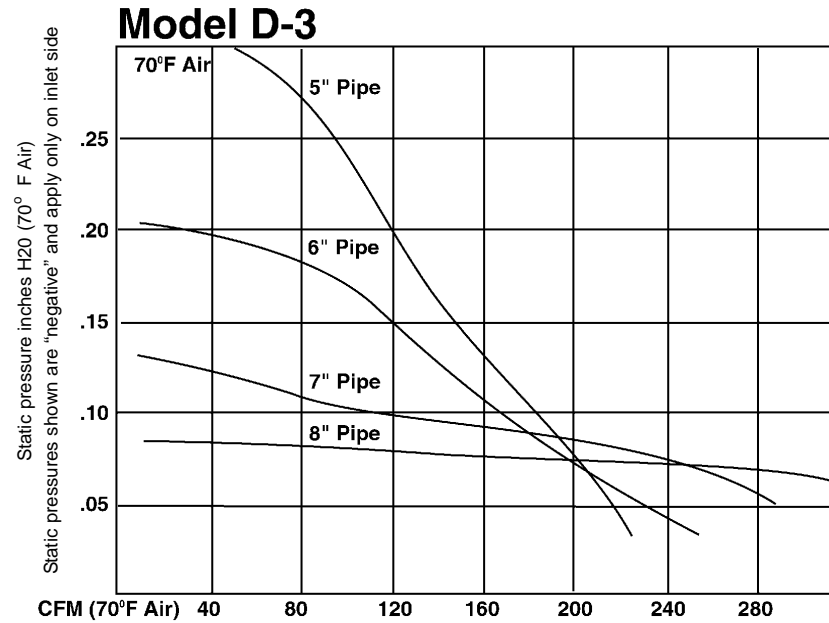
TJERNLUND PRODUCTS, INC.

1601 Ninth Street • White Bear Lake, MN 55110-6794
 PHONE (800) 255-4208 • (651) 426-2993 • FAX (651) 426-9547
 Visit our web site • www.tjernlund.com

MODEL D-3 DRAFT INDUCER SPECIFICATIONS

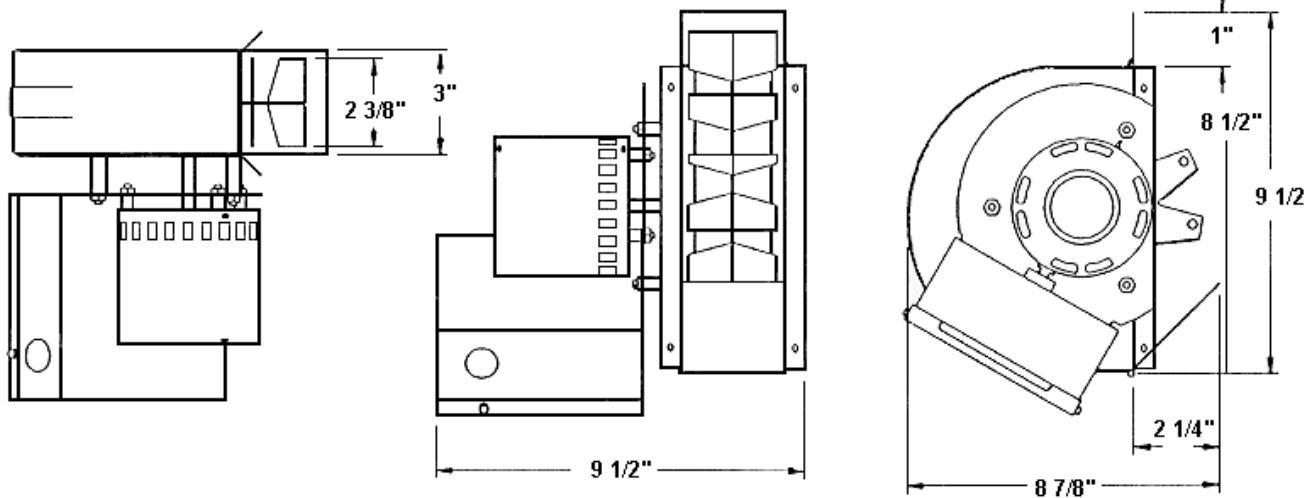
Performance curves

MODEL NO.	PIPE SIZE IN.	GAS FIRING WITH DRAFT HOOD				GAS FIRING WITH BAR. DRAFT CONTROL				OIL FIRING WITH BAR. DRAFT CONTROL			
		HEATER BTU INPUT		270°F FLUE GAS		HEATER BTU INPUT		390°F FLUE GAS		HEATER BTU INPUT		530°F FLUE GAS	
		S.P.	CFM	S.P.	CFM	S.P.	CFM	S.P.	CFM	S.P.	CFM		
D-3	5	270,000	.063	190	330,000	.085	166	295,000	.092	163			
	6	356,000	.073	246	377,000	.090	190	300,000	.093	169			
	7	360,000	.075	259	330,000	.085	166	230,000	.080	118			
	8	320,000	.068	217	222,000	.075	110	123,000	.065	65			



- Inputs shown are believed to be maximum capacities for inducers when mounted on pipe sizes shown for ordinary jobs where a moderate amount of mechanical induced draft is required.
- Consideration is given to typically higher static pressure requirements for larger installations, for the type of fuel burned and for the type of draft control installed.
- Where pressure requirements are unknown or believed to be unusually severe, ask for complete performance curves or consult factory.
- All ratings have been developed in our testing and research department and have been approved by a nationally known independent testing laboratory. Certification is available upon request.
- Heating capacities shown are for 1000 BTU per cubic foot natural gas and for 139,000 BTU per gallon No. 2 fuel oil. Consult factory for capacities with other fuels. Heating capacities are based on typical combustion efficiencies and allow for approximately 5 percent ambient air drawn into inducer to cool motor and drives.
- Draft Inducers should be installed in single wall vent pipe in order to insure proper performance.

Note: Tjernlund Products, Inc. reserves the right to make changes to specifications without notification.



MOTOR SPECIFICATIONS

ELECTRICAL DATA

Volts	115
Hertz	60
RPM	1550
Watts	74
Amps	.96
Therm. Prot.	Yes