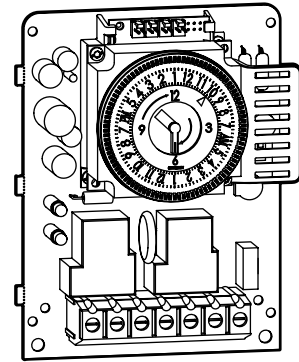




Libertyville, Illinois 60048
www.intermatic.com

DDT40 Adaptive Defrost Control

Installation and Operation Manual



SAFETY SECTION

⚠ WARNING

Risk of Fire or Electrical Shock

- Disconnect the power at the circuit breaker(s) or disconnect switch(es) before installing or servicing.
- More than one circuit breaker or disconnect switch may be required to de-energize the equipment before servicing.
- Installation and/or wiring must be in accordance with the national and local electrical code requirements.
- For 40 A loads, use #8 AWG wire, for 30 A loads, use #10 AWG rated at least 90° C min. - Use COPPER conductors ONLY.
- Do not exceed maximum current carrying capacity.
- Bonding between conduit connections is not automatic and must be provided as part of the installation.
- For outdoor locations or wet locations (rain-tight), conduit hubs that comply with requirements of the UL514B (standard for fitting for conduit and outlet boxes) are to be used.
- KEEP DOOR CLOSED AT ALL TIMES when not servicing.
- Replace the dead front after servicing or installation, if applicable.

⚠ AVERTISSEMENT

Risque d'incendie ou de choc électrique

- Pour les charges de 40 A, utiliser du fil n° 8 AWG, pour les charges de 30 A, utiliser n° 10 AWG classés 90° C minimum – Utiliser EXCLUSIVEMENT des conducteurs en CUIVRE.
- La liaison entre les raccordements de conduits n'est pas automatique et doit être prévue dans le cadre de l'installation.

NOTICE

- Rotate the timer dial clockwise only, rotating counter-clockwise will damage the timer.
- Do not move the clock hands on the timer. Moving the clock hands manually may damage the timer.
- The thermistor wire may be extended up to 400 ft (122 m) using field-supplied wiring between the DDT40 control and the thermistor probe location.
- Use Intermatic model number DT-B for bracket mounting of the defrost controller board.

PRODUCT DESCRIPTION

The DDT40 Commercial Refrigeration Control is integrated with ICUBE™ Adaptive Defrost sensing technology. This Adaptive Defrost Control with ICUBE™ technology transforms a typical Intermatic DTAV40 Timer into an Adaptive Defrost Control which has the ability to skip scheduled defrost events when they are not needed in order to save energy. There is absolutely no change to the Intermatic Defrost Timer load wiring. For more details, see the wiring diagrams on page 7.

The thermistor probes can be installed up to 400 ft (122 m) away from the DDT40. Additionally, it can connect up to four thermistor probes to a single DDT40 control in order to monitor multiple evaporator coils. To order additional thermistor probe kits, use part number 178GR10K-1.

Used in electric or hot gas defrost applications where the defrost is terminated when the coil is frost free, as sensed by a temperature or pressure switch, even though the defrost programmed *termination time* has not been reached. The *time termination* functions as a fail-safe and will terminate the defrost if the temperature or pressure switch fails to do so. The temperature or pressure switch on the refrigeration coil has contacts which close on a temperature or pressure rise above freezing, indicating that frost and ice have melted from the coil. Typically a wide differential SPDT temperature switch is used with it's normally closed contacts wired to the fans thereby delaying the fans from coming on until the coil temperature has dropped back to below freezing.

DDT40

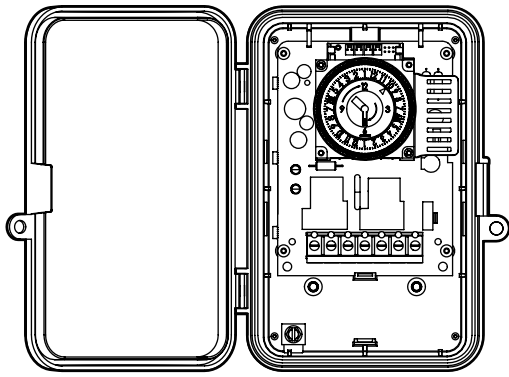


FIG. 1 DDT40 with Enclosure

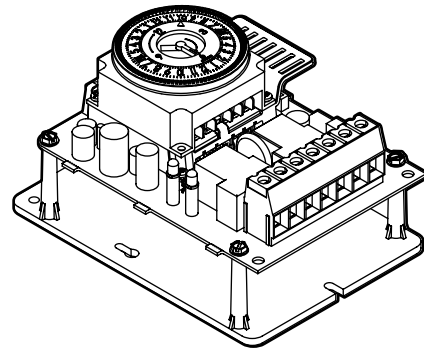


FIG. 2 Bracket Mount
(Salable item DT-B. See DT-B Installation Instructions.)

Specifications

Operating Voltages

- 120–240 VAC, 60 Hz

Maximum Loads:

Defrost Heater Load:

- 120 VAC: 4800 W
- 240 VAC: 9600 W

Fan and Compressor Load:

- 120 VAC: 1 HP
- 240 VAC: 2 HP

Fan Load on Terminal F:

- 120 VAC: 1 HP
- 240 VAC: 2 HP

Maximum Contact Ratings:

[1] & [3] Contacts:

- 40 A Resistive
- 1 HP @ 120 VAC
- 2 HP @ 240 VAC

[2] & [4] Contacts:

- 40 A Resistive
- 1 HP @ 120 VAC
- 2 HP @ 240 VAC

[1] & [F] Contacts:

- 40 A Resistive
- 1 HP @ 120 VAC
- 2 HP @ 240 VAC

Mounting:

- Enclosure: Type 3R rainproof indoor/outdoor plastic

Wiring Connections:

Note: Refer to WARNINGS on page 1 before proceeding.

- Screw clamp terminals: #22 AWG to #8 AWG wire
- Use #8 AWG wire with 90° C rating for 40 A loads
- Use #10 AWG wire with 90° C rating for 30 A loads

Environmental Ratings:

- Operating temperature: -40° F to 130° F (-40° C to 55° C)
- Operating humidity: 0-95% RH non-condensing

Thermistor Probe Ratings:

- Thermistor*: Type NTC
- Rating: 10 K Ω @ 25° C
- Wire Size: 24 AWG
- Working Range: -40° F to 152° F (-40° C to 67° C)
- Thermistor probe wire length: 10 ft (3.05 m)
- Connector wire length: 6 ft (1.83 m)

*Thermistor probe connection are not an isolated Class 2 circuit.

*Only use thermistor probe specified for use with DDFM model.

Agency Approval:

- UL Listed

INSTALLATION

Note: Refer to WARNINGS on page 1 before proceeding.

Tools Required

- Needle nose pliers
- Small flathead or #4-40 TORX™ head screwdriver
- Wire cutter
- Wire stripper
- Emery cloth or evaporator cleaner
- Insulation tape, hose clamp, or wire ties (possibly needed)
- Fish tape (possibly needed)

Mount the Enclosure

1. Identify a suitable location for the DDT40 control.
2. Open door and remove dead front by releasing spring latch on bottom. See FIG. 3.
3. Apply the corresponding terminal identification and door labels. See the included retrofit kit instructions.
4. If needed, remove the timer mechanism by releasing the PCB Latch on the bottom. See FIG. 4.
5. Securely mount the enclosure. It is recommended that you use #10 screws for mounting.
 - Place the enclosure in the desired location, providing space for the enclosure door to open fully. Mount the enclosure using the provided mounting features. Drill through the lower mounting holes if they are needed to secure the enclosure. See FIG. 5.
6. Select and open the appropriate number of knockouts for your installation, as shown in FIG. 6. To remove the inner 1/2" circle of a knockout, insert a screwdriver in the slot and carefully punch loose the knockout. If more space is needed for the wiring, remove the 3/4" outer ring of the knockout with pliers after removing the inner circle. Smooth the knockout edges if necessary. See FIG. 6.
7. Use appropriately rated fittings for installation.
8. Re-install the timer in the enclosure.
9. The dead front will be snapped back into place once wiring is complete.

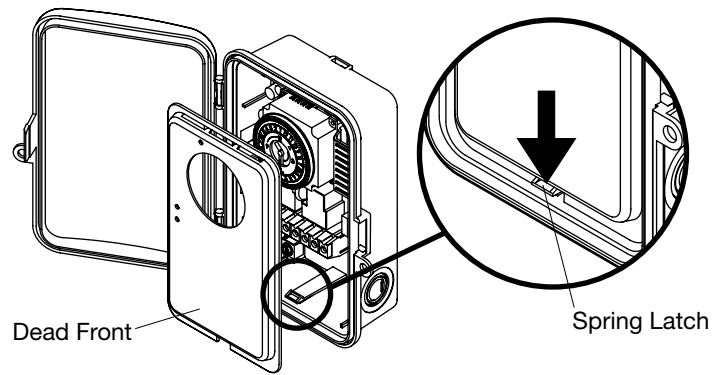


FIG. 3 Remove the Dead Front

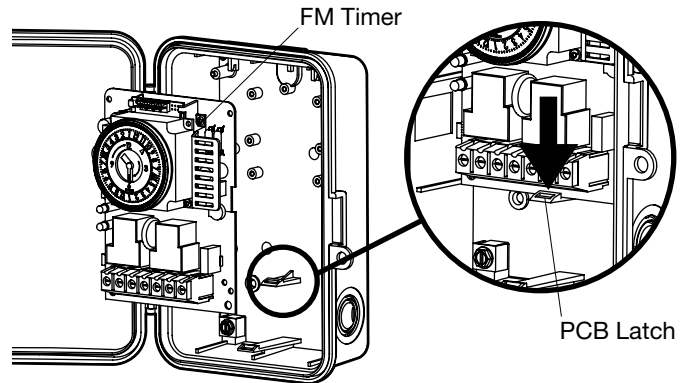


FIG. 4 Remove the FM Timer from the Housing

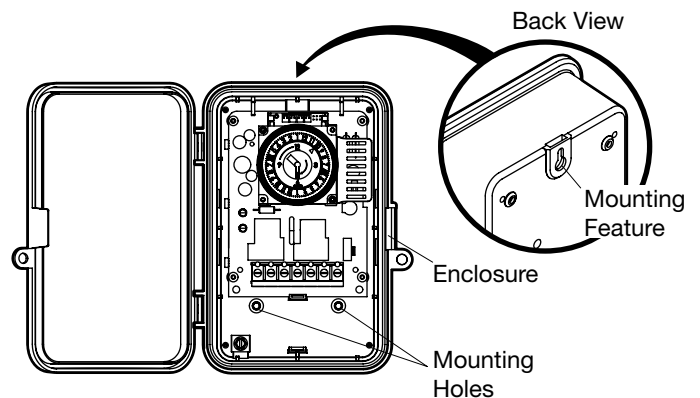


FIG. 5 Enclosure

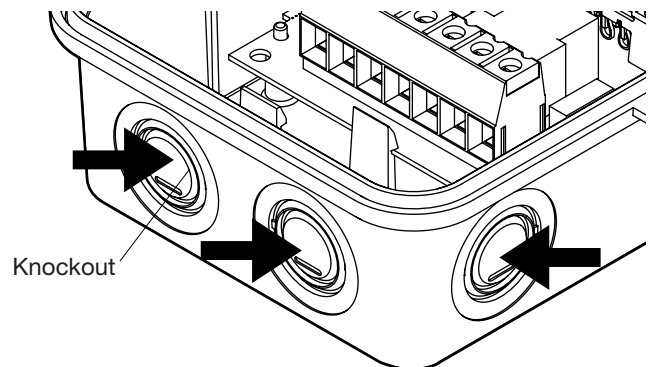


FIG. 6 Knockouts

Wiring

1. Route supply and load wires as appropriate for your installation. Refer to the wiring diagrams on page 7 for examples of typical installations.
2. Strip the supply and load wires 1/2" from the end.
3. Connect the wires to the proper terminals and tighten them securely.

Install the Thermistor Probe

1. Plan and route the length of field-supplied copper wire needed to connect the thermistor probe from the evaporator coil to the input lead. (This wire may be 18–14 AWG shielded or unshielded up to 400 ft (121.92 m) long).

Note: *The field-supplied wires may run along with the power wires through existing or new conduit.*

2. Connect the input lead to the DDT40 control as shown in FIG. 7. The input lead may be inserted into any of the four connectors on the DDT40 control.

Note: *Make sure the input pins are properly aligned with the input lead connector.*

3. Route the input lead above the tab and around the FM timer as shown in FIG. 8.
4. Cut the input lead length to ensure the connection is inside the enclosure, as shown in FIG. 8.
5. Use the provided wire connectors to connect the input lead to the routed field-supplied wire.
6. Connect the thermistor probe to the evaporator coil. There are two options for probe placement.

Note: *Ensure the copper tube surface area designated for thermistor probe placement is clean. Use Emery cloth or Evaporator cleaner to clear the surface. A dirty surface will create an insulation barrier which may cause inaccurate temperature readings.*

- Insert the probe between the cooling fins, as shown in FIG. 9. Ensure that the probe makes good contact with one of the evaporator tubes. Then, using needle nose pliers, carefully bend the cooling fins together to hold the probe firmly in place.
- Use the provided clip, or if the clip is the incorrect size, use another means to fasten the thermistor probe to one of the circuit tubes e.g., hose clamp, insulation tape, zip tie, as shown in FIG. 10. Clip the probe onto one of the lower coils in either the 10 o'clock or 2 o'clock position, making sure that the probe makes good contact with the evaporator tube.

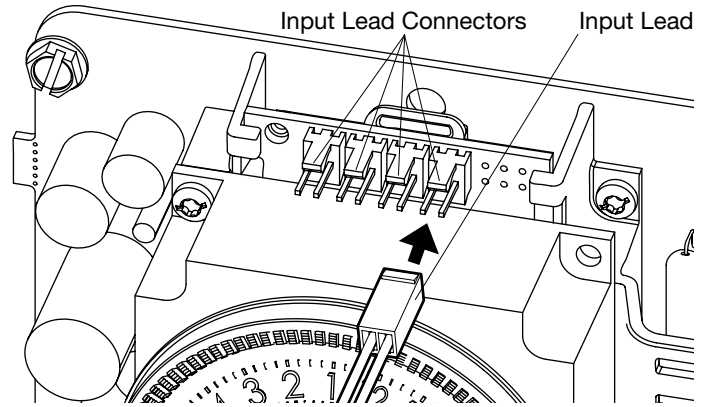


FIG. 7 Attach the Input Lead

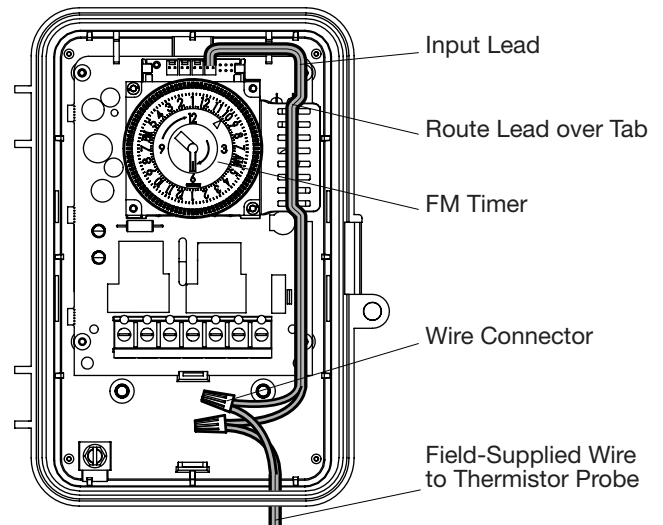


FIG. 8 Route Input Lead

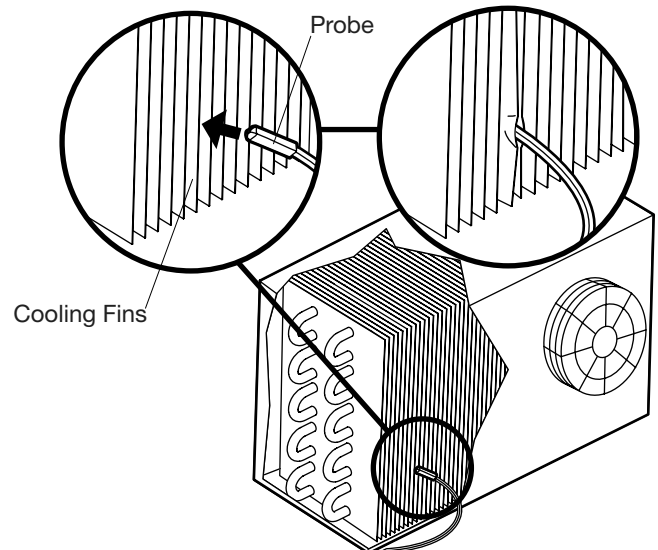


FIG. 9 Insert Thermistor Probe between Evaporator Cooling Fins

Recommended Thermistor Probe Position

The probe should be positioned and fastened wherever frost accumulates most quickly. This is generally 1" to 2" (2.5 cm to 5 cm) from either end, at the bottom quarter and at the discharge side of the evaporator coil. If there is uncertainty about where frost typically accumulates the fastest, put the system into a manual defrost (see "Optional: Manual Defrost" on page 10) and monitor the last area of the evaporator where frost is present prior to a completely frost-free coil.

Make sure the probe is not fastened in close proximity to the electric defrost heating element.

7. Route the thermistor probe wires away from the evaporator fans and cooling fins, avoiding pinches and strain. Route the wire through existing or new line voltage conduits. Secure the wires as appropriate for your installation.
8. Use the provided wire connectors to connect the thermistor probe wire to the routed 18–14 AWG field-supplied wire.
9. Use electrical tape to protect all connections against moisture.
10. If additional thermistor probes are needed repeat all steps in this section. For large evaporators, you can add a thermistor probe to a coil on each (opposite) side.
11. For multiple-evaporator installations, see "Optional: Multiple Evaporators" on page 10.

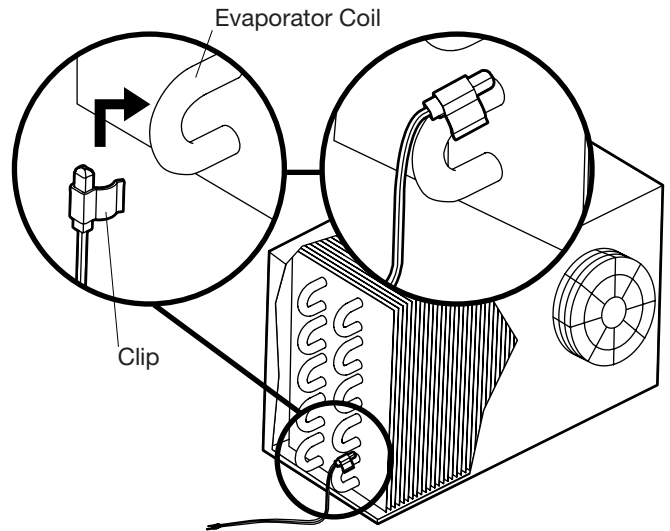


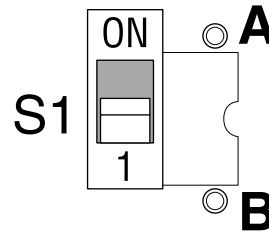
FIG. 10 Connect Thermistor Probe to Evaporator Coil

Mode Selection

Determine which defrost control (Intermatic or other manufacturer) will be replaced as indicated in TABLE 1. The mode selector DIP switch (located at the lower right side of the board) determines the configuration of terminals 2 and 4. In position "A", the terminals are normally closed, and will open during a defrost. In position "B", terminals 2 and 4 are normally open, and will close during a defrost. Select the proper position from the table and wiring diagrams indicated. To select mode simply slide the switch as follows:

- Mode A - position switch up;
- Mode B - position switch down;

In most applications, the contacts at terminals 2 and 4 are normally closed with S1 in the "A" position and control the fans and refrigeration equipment or compressor. For hot gas defrost, or for double-pole switching, contacts 2 and 4 may be configured as normally open by selecting mode "B". Refer to wiring diagrams 1 through 10 for additional details.



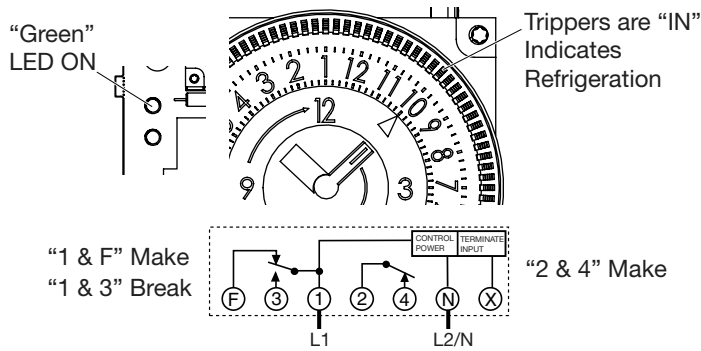
Note: When Mode "B" is selected the DDT40 will operate as follows:

- Refrigeration Mode - Red and Green LEDs will turn OFF (terminals 1 and 3, 2 and 4 will be open while terminals 1 and F will be closed).
- Defrost Mode - Red and green LEDs will turn ON (1 and 3, 2 and 4 will be closed while 1 and F will be open).

DDT40 TRIPPERS MODE A

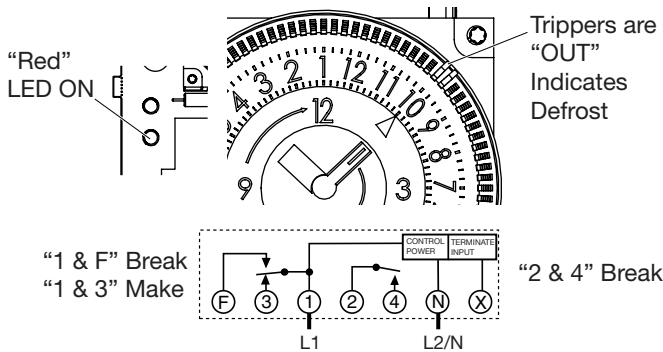
In Refrigeration Mode

Arrow on timer points to current time.



In Defrost Mode

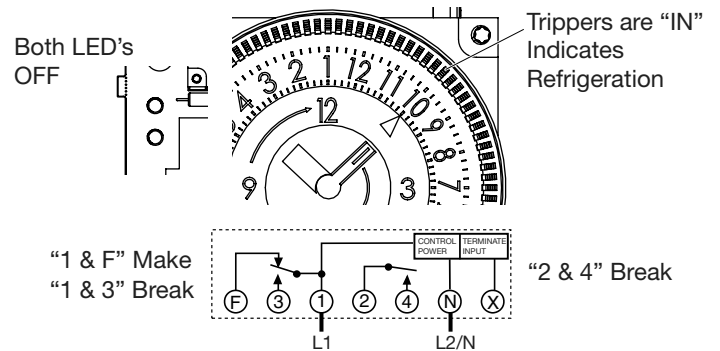
Arrow on timer points to current time.



DDT40 TRIPPERS MODE B

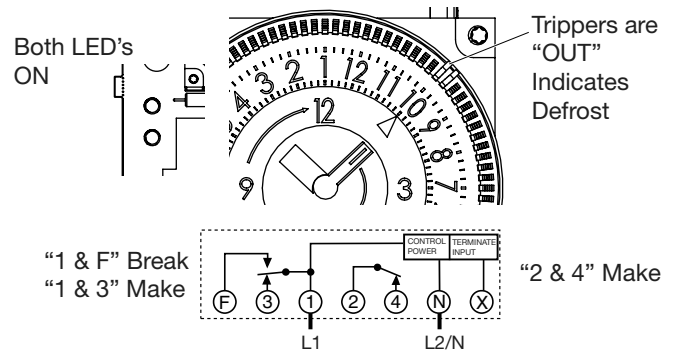
In Refrigeration Mode

Arrow on timer points to current time.



In Defrost Mode

Arrow on timer points to current time.



Note: It is necessary to apply power across terminals 1&N in order to perform electrical test.

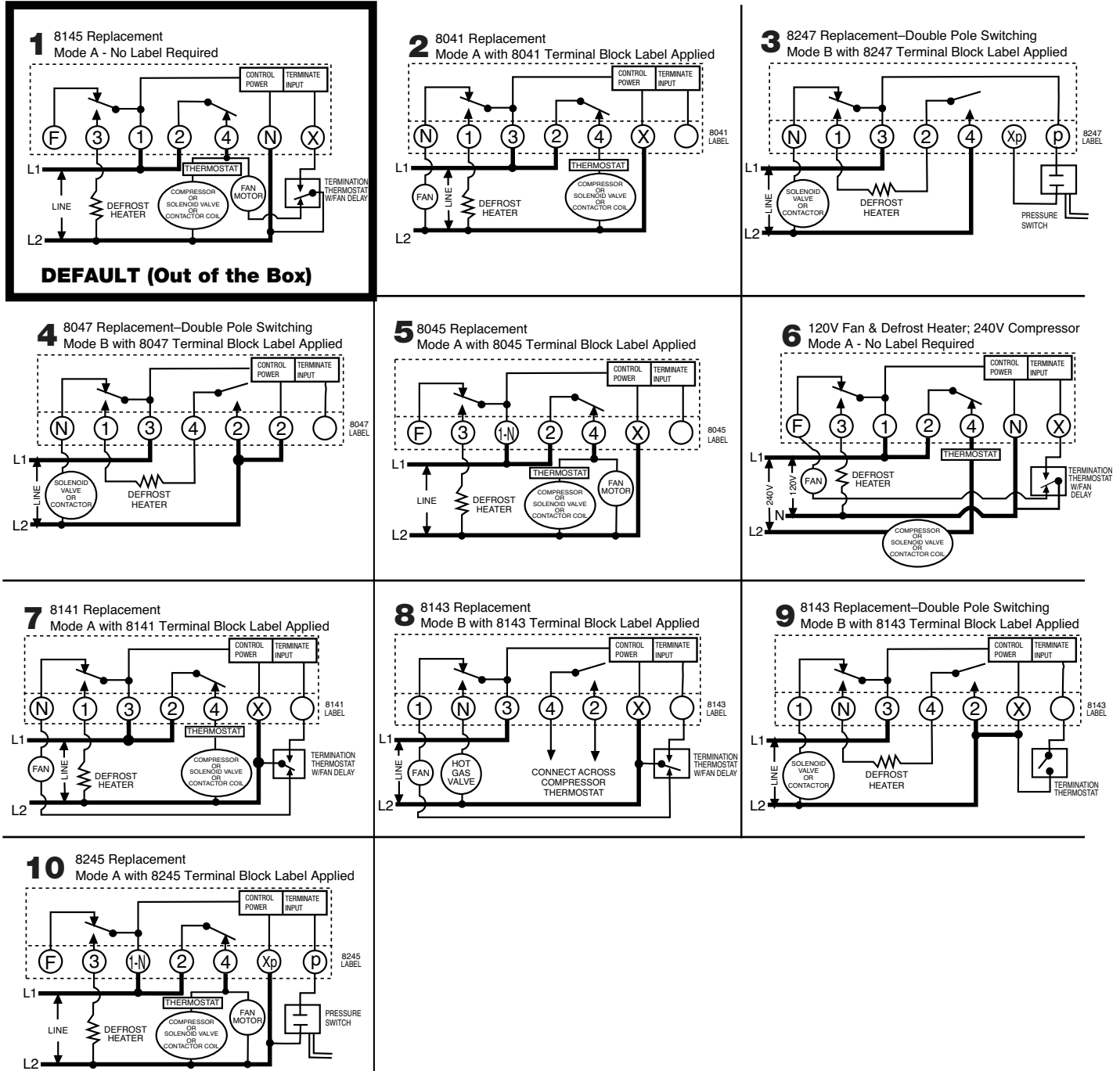
Note: Although wiring is equivalent, the DDT40 will not fit inside of a Paragon Enclosure. This enclosure will need to be changed out with the provided Intermatic Enclosure.

Paragon	Precision	Intermatic	Mode Selection	Terminal Ident. Label	Wiring Diagram	Terminal Layout
TIME INITIATED, TIME TERMINATED						
8045®	6045	DDT40	A	8045	5	F 3 1-N 2 4 X ○
8041®	6041	DDT40	A	8041	2	N 1 3 2 4 X ○
8047®	6047	DDT40	B	8047	4	N 1 3 4 2 2 ○
TIME INITIATED, REMOTE TEMPERATURE OR PRESSURE TERMINATED						
8145®	6415	DDT40	A	None	1, 6	F 3 1 2 4 N X
8141®	6141	DDT40	A	8141	7	N 1 3 2 4 X ○
8143®	---	DDT40	B	8143	8, 9	1 N 3 4 2 X ○
TIME INITIATED, PRESSURE TERMINATED (Separate Pressure Switch Required (see instructions))						
8245®	---	DDT40	A	8245	10	F 3 1-N 2 4 Xp p
8247®	---	DDT40	B	8247	3	N 1 3 2 4 Xp p
Cross Ref.						
DDT40 replaces over 40 models						

TABLE 1 Defrost Control Replacement Selector

TYPICAL WIRING DIAGRAMS

All switch positions are shown in refrigeration cycle operation, and change position upon initiation of a defrost.



All trademarks are the property of their respective owners.

Replacing Existing Defrost Timers

Terminal Identification

The standard DTAV40 terminal identification is identical to the Paragon 8145 with the addition of the “F” terminal. Terminal identification labels are provided for the other models to be placed over the printed numbers on the printed circuit board. From Table 1, select the proper label, apply to the printed circuit board and wire per the original wiring or the wiring diagrams indicated.

“F” Terminal

The DTAV40 contains a normally closed contact between terminals 1 and F. This terminal may be used to switch the fans off during a defrost rather than terminals 2 and 4. For hot gas defrost applications, with the mode switch set to position “B”, the fans may be connected to terminal “F”.

8143 Replacement

When replacing a Paragon 8143, wire the termination thermostat to terminal X of the DTAV40 (with the 8143 label attached), and the adjacent blank terminal. The Paragon timers are wired to terminal X and the blank terminal. If the termination thermostat is wired to terminal N of the DTAV40 temperature, termination will not occur and may result in burnout of the DTAV40. See Wiring Diagrams 8 and 9.

8240 Series Replacement

The DTAV40 may be used to replace the Paragon 8240 Series Defrost Timers with integral pressure termination by the addition of a remote pressure switch wired to terminals Xp and p of the DTAV40 (with an 8240 series terminal label applied). There must be no external voltage connected to the pressure switch. Set the pressure switch cut-in to the same value as set on the Paragon defrost timer being replaced. Set cut-out 6 to 14 psi below cut-in. See the wiring diagram

Programming

Setting the Time

Rotate the FM timer dial clockwise until the time of day (AM or PM) of the outer dial is aligned with the triangle marker on the inner dial.

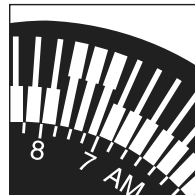
Note: The AM and PM locations on the dial represent 6 AM and 6 PM. For example, if the triangle points to the 7 after PM, then the current time is 7 PM. If the triangle points to the 5 before PM, then the current time is 5 AM.

NOTICE

Do not rotate dial or minute hand counter-clockwise.

Follow this procedure to configure defrost times:

1. On the timer wheel, choose a defrost starting time.
2. Slide the tripper upward that is directly above the desired time. The timer will initiate a 15 minute defrost at the configured time.



3. To increase the duration of the defrost, slide up the trippers that are adjacent to the starting time.

Note: Each tripper on the time wheel represents 15 minutes. For example, to set a 45 minute defrost, slide the two trippers adjacent to the starting time.

Note: The AM and PM locations on the wheel represent 6 AM and 6 PM.

4. Repeat steps 1 through 3 as necessary to configure multiple defrost times for a given day.

Defrost Duration:

The defrost duration is settable in 15 minute intervals from a minimum of 15 minutes up to several hours. The defrost duration determines the termination time. In standard configuration, the contacts between terminals 1 and 3 are normally open and closed during a defrost to energize defrost heaters; the contacts between terminals 2 and 4 are normally closed with S1 in “A” position and open during a defrost to de-energize refrigeration and fans.

Setting Maximum Defrost Duration:

Different defrost durations may be set for each defrost initiation setting. Each white tab (tripper) provides a 15 minute interval. For longer defrost duration, move additional tabs (following in time) from the initiation tab. For example, if a 45 minute defrost is to start at 7:00 AM, move the tab outward that lies between 7:00 and 7:15 on the AM side of the dial, and the tabs adjacent to 7:15-7:30 and 7:30-7:45. (3 tabs moved outward). The defrost will initiate at 7:00 AM and time terminate at 7:45 AM (if temperature termination does not occur first).

IMPORTANT INFORMATION: The Normally Closed contacts between terminals 2 and 4 are only closed when the defrost timer is energized. The 2-4 contacts are the Normally Open contacts of relay K2. When checking continuity of the control with no voltage applied, the 2-4 contacts will appear as open; this is normal. The 1-3 contacts will appear as open and the 1-F contacts will appear as closed. We recommend that the control be tested by using a voltmeter, with rated voltage applied.

System Startup

1. Snap the provided dead front cover into place, if applicable. See FIG. 11.
2. Re-apply power to the unit.
3. After the control senses the number of probes connected, it enters calibration mode.

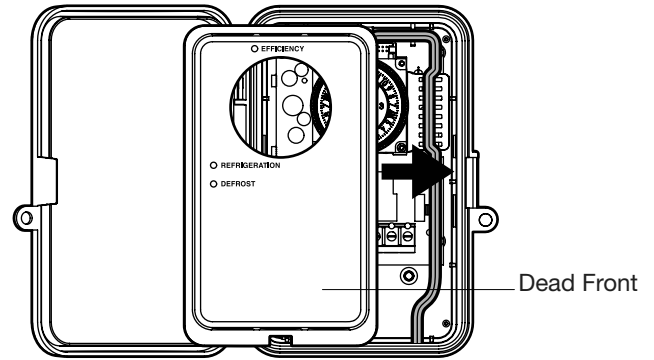


FIG. 11 Attach the Dead Front

4. Observe the blue LED during startup in order to verify that the DDT40 control registers the correct number of thermistor probes. The blue LED will flash once for each recognized probe.
5. See TABLE 2 and FIG. 12 or FIG. 13 to verify proper operation of the DDT40 control.

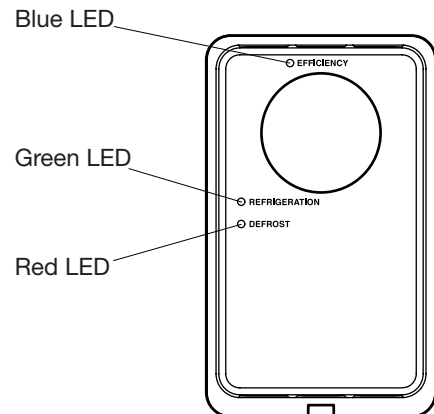


FIG. 12 LEDs (Enclosed Model Shown)

Diagnostics			
Mode	LED	Status	Control Mode
A	Green LED	ON	Refrigeration mode active
	Red LED	OFF	Defrost mode active
B	Green LED	OFF	Refrigeration mode active
	Red LED	OFF	
	Green LED	ON	Defrost mode active
	Red LED	ON	
A/B	Blue LED	ON	Next scheduled defrost to be delayed (efficiency mode)
		OFF	Next scheduled defrost active
		1 flash/1 second	Calibration mode
		5 flashes/10 seconds	Thermistor sensor error
		1-4 flashes/10 seconds	Only occurs at startup to indicate the number of sensors connected to the control

TABLE 2 LED Status Indicator Table

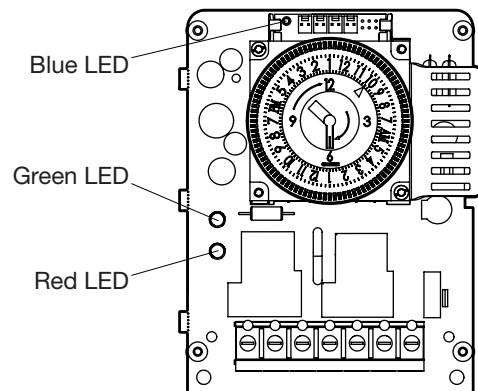


FIG. 13 LEDs

DDT40 CONTROL FUNCTIONALITY

Modes

- **Efficiency Mode** – Scheduled Defrosts are bypassed when the control is in this state. This is indicated when the blue LED is ON continuously. If there is no thermistor probe attached or a probe failure occurs, the DDT40 control module operates solely off of the defrost timer and does not enter efficiency mode.
- **Calibration Mode** – The DDT40 control module enters calibration mode at initial startup and after each allowed defrost cycle. During calibration the control establishes a baseline coil behavior.
- **Thermistor Probe Initialization** – The number of thermistor probes connected to the control is detected during the initial startup of the system. The blue LED flashes the number of times equal to the number of probes detected. If the correct number of probes are not detected, disconnect power to the control before you attempt to correct the problem.

Optional: Manual Defrost

To initiate a manual defrost, rotate the FM timer dial clockwise through two consecutive scheduled defrost cycles within 60 seconds.

Optional: Multiple Evaporators

The DDT40 control has four sensor inputs that can monitor up to four evaporator coils. Typically, in a four-evaporator system, the timer activates a contactor that energizes the multiple defrost loads simultaneously. When the DDT40 control senses a decrease in capacity in one or more coils, efficiency mode shuts off and the defrost timer initiates a defrost at the next scheduled interval.

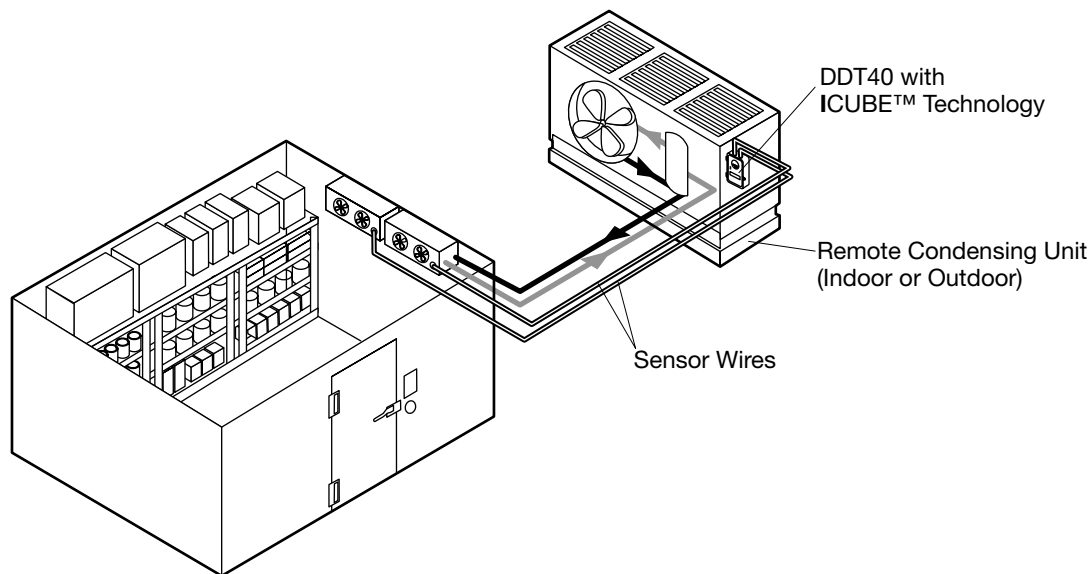
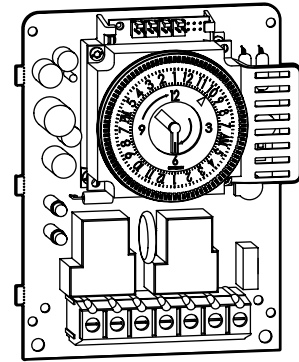


FIG. 14 Evaporator System

For additional assistance, contact Technical Services at 1.815.675.7000.

Panneau de commande de dégivrage adaptatif DDT40

Manuel d'installation et d'utilisation



SECTION RELATIVE À LA SÉCURITÉ

⚠ AVERTISSEMENT

Risque d'incendie et d'électrocution

- Couper l'alimentation aux disjoncteurs ou aux sectionneurs avant toute installation ou toute intervention.
- Plusieurs disjoncteurs ou sectionneurs peuvent être nécessaires pour mettre l'équipement hors tension avant l'intervention.
- L'installation et le câblage doivent être réalisés conformément aux exigences des normes électriques nationales et régionales.
- Pour les charges de 40 A, utiliser des câbles AWG n° 8; pour les charges de 30 A, utiliser des câbles AWG n° 10 classés 90 °C minimum – Utiliser **UNIQUEMENT** des conducteurs en **CUIVRE**.
- Ne pas dépasser l'intensité de courant admissible maximale.
- La liaison entre les raccordements de conduits n'est pas automatique et doit être prévue dans le cadre de l'installation.
- Pour les emplacements extérieurs ou les endroits humides (étanches à la pluie), utiliser des entrées de conduits conformes aux exigences de la norme UL514B pour les pièces de fixation pour conduits et boîtes de sortie.
- **TOUJOURS GARDER LA PORTE DE L'APPAREIL FERMÉE** lorsqu'aucune intervention n'est effectuée.
- Remettre l'écran isolant en place après l'intervention ou l'installation, le cas échéant.

⚠ AVERTISSEMENT

Risque d'incendie et d'électrocution

- Pour les charges de 40 A, utiliser des câbles AWG n° 8; pour les charges de 30 A, utiliser des câbles AWG n° 10, classés 90 °C minimum – Utiliser **UNIQUEMENT** des conducteurs en **CUIVRE**.
- La liaison entre les raccordements de conduits n'est pas automatique et doit être prévue dans le cadre de l'installation.

AVIS

- Tourner le bouton de la minuterie dans le sens horaire uniquement pour éviter d'endommager la minuterie.
- Ne pas déplacer les aiguilles de la minuterie. Un déplacement manuel des aiguilles risque d'endommager la minuterie.
- Il est possible de rallonger le câble de thermistance jusqu'à 122 m (400 pi) à l'aide du câblage installé sur place entre le panneau de commande DDT40 et l'emplacement de la sonde à thermistance.
- Utiliser le modèle Intermatic n° DT-B pour le montage sur support du panneau de commande de dégivrage.

DESCRIPTION DU PRODUIT

La commande de réfrigération commerciale DDT40 est intégrée à la technologie de détection de dégivrage adaptatif ICUBE^{MC}. Cette commande de dégivrage adaptatif dotée de la technologie ICUBE^{MC} transforme une minuterie typique Intermatic DTAV40 en panneau de commande de dégivrage adaptatif capable de passer outre des événements de dégivrage programmés lorsqu'ils sont inutiles, pour économiser de l'énergie. Il n'est absolument pas nécessaire de modifier le câblage de la charge de la minuterie de dégivrage Intermatic. Pour plus de détails, voir les schémas de câblage, page 17.

Les sondes à thermistance peuvent être installées jusqu'à 122 m (400 pi) du panneau de commande DDT40. Par ailleurs, vous pouvez connecter jusqu'à quatre sondes à thermistance à un seul panneau de commande DDT40 afin de surveiller plusieurs serpentins d'évaporateur. Pour commander des trousseaux supplémentaires de sonde à thermistance, utiliser la référence 178GR10K-1.

Produit utilisé dans les applications de dégivrage électrique ou par gaz chaud, où le processus s'arrête une fois qu'un thermocontacteur ou un manocontacteur détecte que le serpentin est exempt de givre, même si l'heure d'arrêt programmée n'est pas atteinte. L'heure d'arrêt fonctionne comme une sécurité intégrée qui met fin au dégivrage si le thermocontacteur ou le manocontacteur n'y parvient pas. Le thermocontacteur ou le manocontacteur du serpentin de réfrigération comporte des contacts qui se ferment lorsque la température ou la pression dépasse le niveau de congélation, indiquant ainsi que le givre ou la glace a fondu sur le serpentin. Généralement, un thermocontacteur SPDT (unipolaire bidirectionnel) à large différentiel est utilisé avec ses contacts normalement fermés raccordés aux ventilateurs, retardant ainsi l'activation des ventilateurs jusqu'à ce que la température du serpentin soit redescendue jusqu'en dessous du niveau de congélation.

DDT40

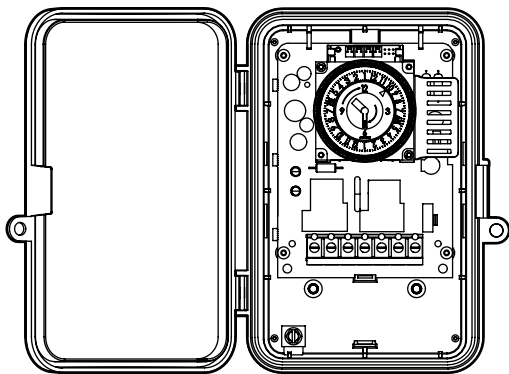


FIG. 1 DDT40 avec boîtier

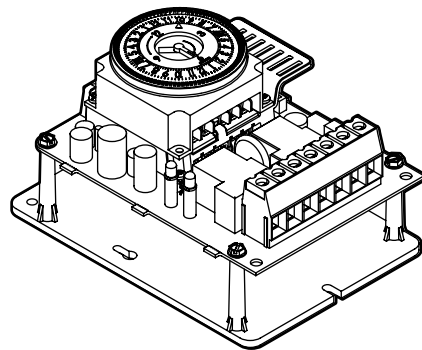


FIG. 2 Montage sur support
(Article DT-B en vente. Voir les instructions d'installation du DT-B.)

Caractéristiques

Tensions de fonctionnement

- 120 à 240 V CA, 60 Hz

Charges maximales :

Charge du dispositif de chauffage de dégivrage :

- 120 V c.a. : 4 800 W
- 240 V c.a. : 9600 W

Charge du ventilateur et du compresseur :

- 120 V c.a. : 1 HP
- 240 V c.a. : 2 HP

Charge du ventilateur sur borne F :

- 120 V c.a. : 1 HP
- 240 V c.a. : 2 HP

Valeurs nominales maximales des contacts :

Contacts [1] et [3] :

- 40 A (avec résistance)
- 1 HP à 120 V c.a.
- 2 HP à 240 V c.a.

Contacts [2] et [4] :

- 40 A (avec résistance)
- 1 HP à 120 V c.a.
- 2 HP à 240 V c.a.

Contacts [1] et [F] :

- 40 A (avec résistance)
- 1 HP à 120 V c.a.
- 2 HP à 240 V c.a.

Montage :

- Boîtier : plastique étanche à la pluie type 3R extérieur/intérieur

Raccordements de câblage :

Remarque : Consulter la section **AVERTISSEMENTS**, page 11 avant de continuer.

- Bornes à vis : câble AWG n° 22 à n° 8
- Utiliser un câble AWG n° 8 avec une valeur nominale de 90 °C pour les charges de 40 A
- Utiliser un câble AWG n° 10 avec une valeur nominale de 90 °C pour les charges de 30 A

Valeurs nominales relatives à l'environnement :

- Température de fonctionnement : -40 °C à 55 °C (-40 °F à 130 °F)
- Taux d'humidité en fonctionnement : HR de 0 à 95 % sans condensation

Valeurs nominales relatives à la sonde à thermistance :

- Thermistance* : Type NTC
- Valeur nominale : 10 K Ω à 25 °C
- Dimension du câble : AWG n° 24
- Plage de fonctionnement : -40 °C à 67 °C (-40 °F à 152 °F)
- Longueur du câble de la sonde à thermistance : 3,05 m (10 pi)
- Longueur de câble de connecteur : 1,83 m (6 pi)

*La connexion de la sonde à thermistance n'est pas un circuit isolé de catégorie 2.

*Utiliser uniquement une sonde à thermistance conçue pour une utilisation avec le modèle DDFM.

Autorisation réglementaire :

- Classification UL

INSTALLATION

Remarque : Consulter la section **AVERTISSEMENTS**, page 11, avant de continuer.

Outils requis

- Une pince à bec effilé
- Un petit tournevis plat ou de type TORX^{MC} n° 4-40
- Une pince coupante
- Une pince à dénuder

- De la toile émeri ou un nettoyant pour évaporateur
- Du ruban isolant, un collier de serrage ou des serre-câbles (éventuellement nécessaires)
- Du câble de traction (éventuellement nécessaire)

Montage du boîtier

1. Déterminer un emplacement adéquat pour votre panneau de commande DDT40.
2. Ouvrir la porte et retirer l'écran isolant en libérant le loquet à ressort en bas du boîtier. Voir FIG. 3.
3. Appliquer les étiquettes de porte et d'identification de borne appropriées. Voir les instructions incluses dans la trousse de rénovation.
4. Si nécessaire, retirer le mécanisme de la minuterie en libérant le loquet de la carte de CI dans la partie inférieure. Voir FIG. 4.
5. Fixer le boîtier. Il est recommandé d'utiliser des vis n° 10 pour le montage.
 - Placer le boîtier à l'emplacement souhaité, avec un espace qui permet d'ouvrir entièrement sa porte. Monter le boîtier en utilisant les accessoires de fixation fournis. Percer à travers les orifices de fixation inférieurs, si nécessaire. Voir FIG. 5.
6. Sélectionner et ouvrir le nombre approprié de pastilles défonçables pour votre installation, comme illustré à la FIG. 6. Pour retirer le cercle interne de 1,27 cm (1/2 po) d'une pastille défonçable, insérer un tournevis dans la fente et frapper doucement jusqu'à ce que la pastille tombe. Si le câblage nécessite davantage d'espace, retirer la bague extérieure de 1,9 cm (3/4 po) de la pastille à l'aide de pinces après avoir retiré le cercle interne. Lisser les bords des pastilles si nécessaire. Voir FIG. 6.
7. Utiliser des raccords de calibre approprié pour l'installation.
8. Réinstaller la minuterie dans le boîtier.
9. L'écran isolant est remis en place par encliquetage une fois le câblage terminé.

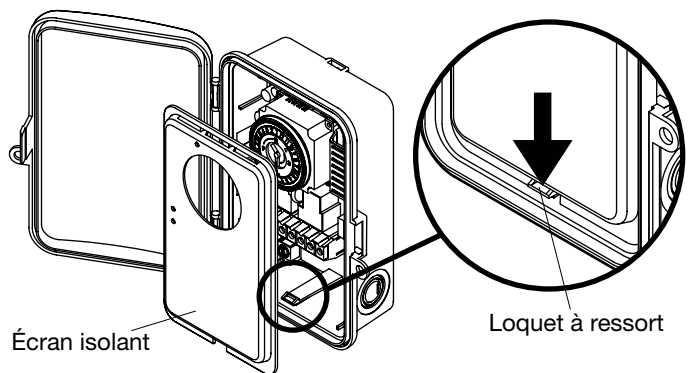


FIG. 3 Retrait de l'écran isolant

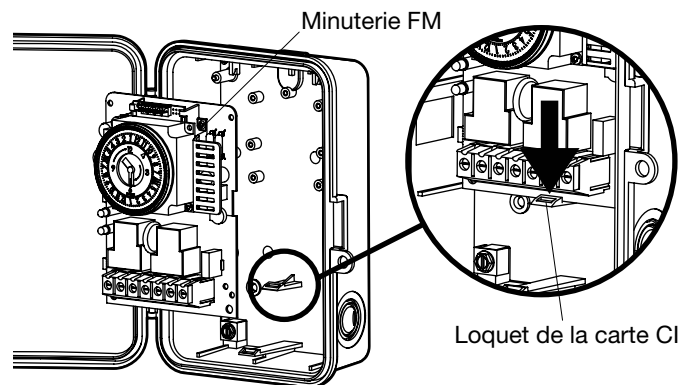


FIG. 4 Retrait de la minuterie FM de son logement

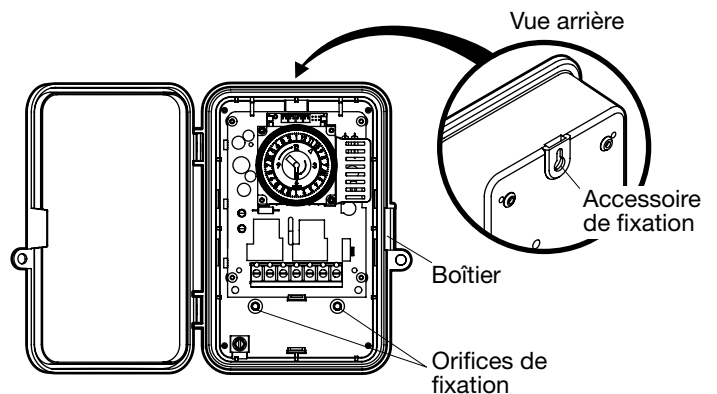


FIG. 5 Boîtier

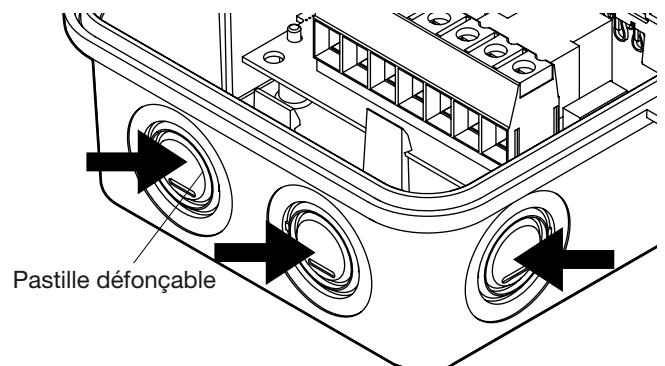


FIG. 6 Pastilles défonçables

Câblage

1. Acheminer les câbles de charge et d'alimentation selon les besoins de votre installation. Consulter les schémas de câblage à la page 7 pour obtenir des exemples d'installations typiques.
2. Dénuder les câbles de charge et d'alimentation à 1,27 cm (1/2 po) de l'extrémité.
3. Raccorder les câbles aux bornes appropriées et les serrer fermement.

Installation de la sonde à thermistance

1. Évaluer et acheminer la longueur nécessaire de câble en cuivre (installé sur place) pour raccorder la sonde à thermistance du serpentin d'évaporateur au câble d'entrée. (Ce câble peut être blindé ou non, de calibre 18 à 14 AWG, et d'une longueur allant jusqu'à 121,92 m [400 pi]).

Remarque : Les câbles installés sur place peuvent longer les câbles d'alimentation dans un conduit existant ou un nouveau conduit.

2. Raccorder le câble d'entrée au panneau de commande DDT40, comme illustré à la FIG. 7. Il est possible d'insérer le câble d'entrée dans l'un des quatre connecteurs du panneau de commande DDT40.

Remarque : Veiller à ce que les broches d'entrée soient bien alignées avec le connecteur du câble d'entrée.

3. Acheminer le câble d'entrée au-dessus de la languette et autour de la minuterie FM, comme illustré à la FIG. 8.
4. Couper le câble d'entrée de manière à adapter le raccordement à l'intérieur du boîtier, comme illustré à la FIG. 8.
5. Utiliser les connecteurs de câbles fournis pour raccorder le câble d'entrée au câble acheminé, installé sur place.
6. Raccorder la sonde à thermistance au serpentin d'évaporateur. La sonde peut être positionnée de deux manières.

Remarque : S'assurer que la surface du tube de cuivre désignée pour le positionnement de la sonde à thermistance est propre. Utiliser la toile émeri ou le nettoyant pour évaporateur pour nettoyer la surface. Une surface sale crée une barrière d'isolation du périmètre susceptible d'entraîner des lectures inexactes de la température.

- Insérer la sonde entre les ailettes de refroidissement, comme illustré à la FIG. 9. S'assurer du bon contact entre la sonde et l'un des tubes de l'évaporateur. Ensuite, en utilisant une pince à bec effilé, pincer soigneusement les ailettes de refroidissement pour maintenir fermement la sonde en place.
- Utiliser la pince fournie ou un autre moyen (par ex. un collier, du ruban isolant ou une attache autobloquante), si la taille de la pince n'est pas adaptée, pour fixer la sonde à thermistance à l'un des tubes du circuit, comme illustré à la FIG. 10. Attacher la sonde à l'un des serpentins inférieurs, en position 10 h ou 2 h, en s'assurant qu'elle est bien en contact avec le tube de l'évaporateur.

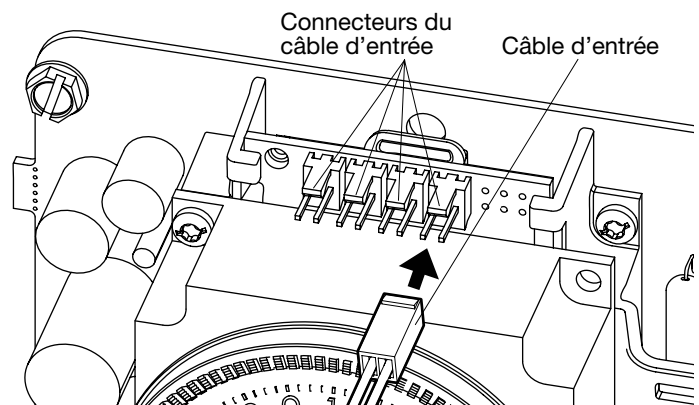


FIG. 7 Branchement du câble d'entrée

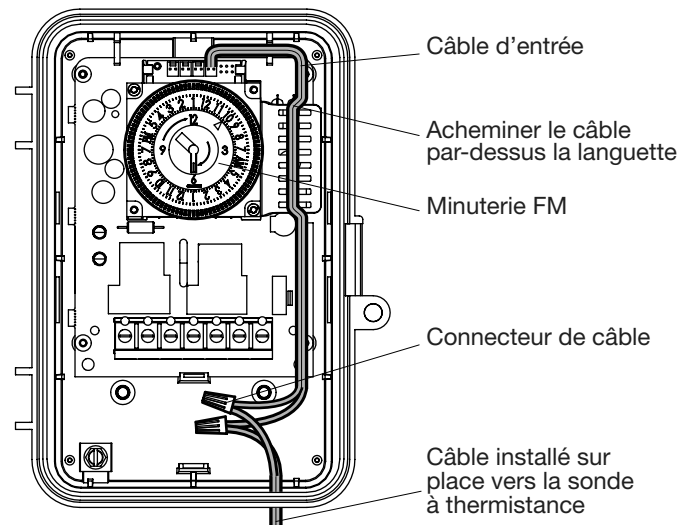


FIG. 8 Acheminement du câble d'entrée

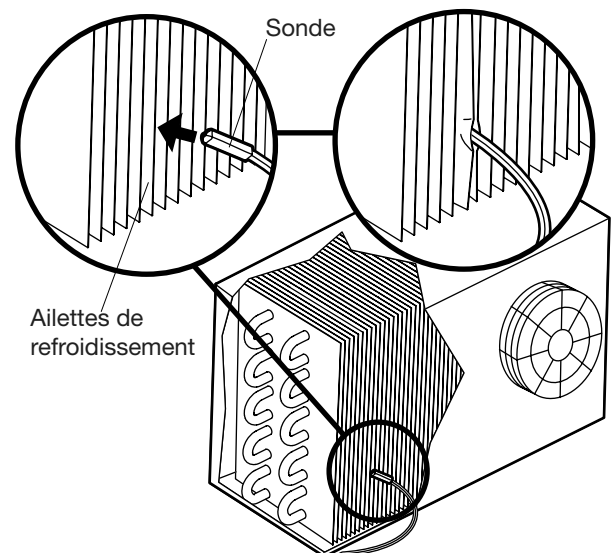


FIG. 9 Insertion de la sonde à thermistance entre les ailettes de refroidissement de l'évaporateur

Position conseillée de la sonde à thermistance

La sonde doit être positionnée et fixée à un endroit où le givre s'accumule le plus rapidement. Cet emplacement se trouve généralement entre 2,5 cm et 5 cm (entre 1 po et 2 po) des extrémités, au niveau du quart inférieur et du côté refoulement du serpentin de l'évaporateur. En cas de doute sur l'emplacement où le givre s'accumule généralement le plus rapidement, mettre le système en mode de dégivrage manuel (voir "En option : dégivrage manuel" on page 20) et surveiller la dernière zone de l'évaporateur où le givre est présent avant de disparaître complètement du serpentin.

S'assurer que la sonde n'est pas fixée à proximité de l'élément de chauffage du système de dégivrage.

7. Acheminer la sonde à thermistance loin des ventilateurs de l'évaporateur et des ailettes de refroidissement, en évitant les pincements et les tensions. Acheminer le câble dans des conduits de tension de ligne existants ou dans de nouveaux conduits. Fixer les câbles en fonction de votre installation.
8. Utiliser les connecteurs de câbles fournis pour raccorder la sonde à thermistance au câble de 18 à 14 AWG acheminé, installé sur place.
9. Utiliser du ruban isolant pour protéger tous les raccordements contre l'humidité.
10. Si des sondes à thermistance supplémentaires s'avèrent nécessaires, répéter toutes les étapes de cette section. Pour les grands évaporateurs, il est possible d'ajouter une sonde à thermistance sur un serpentin de chaque côté (opposé).
11. Pour les installations à plusieurs évaporateurs, voir "En option : plusieurs évaporateurs" on page 20.

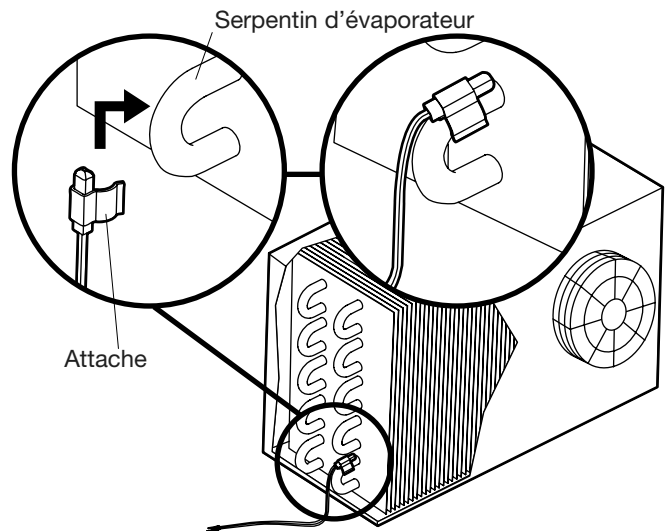


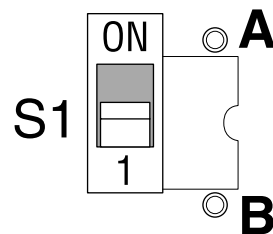
FIG. 10 Raccordement de la sonde à thermistance au serpentin de l'évaporateur

Sélection de mode

Déterminer le panneau de commande de dégivrage (Intermatic ou un autre fabricant) à remplacer, comme indiqué dans le TABLEAU 1. L'interrupteur DIP de sélection de mode (situé en bas à droite du panneau) détermine la configuration des bornes 2 et 4. En position « A », les bornes sont normalement fermées et s'ouvrent pendant un dégivrage. En position « B », les bornes 2 et 4 sont normalement ouvertes et se ferment pendant un dégivrage. Sélectionner la position appropriée à partir du tableau et des schémas de câblage indiqués. Pour sélectionner un mode, il suffit de faire coulisser l'interrupteur comme suit :

- Mode A : position vers le haut
- Mode B : position vers le bas

Dans la plupart des applications, les contacts aux bornes 2 et 4 sont normalement fermés, avec S1 en position « A », et commandent les ventilateurs et l'appareil de réfrigération ou le compresseur. Pour un dégivrage par gaz chaud ou une commutation bipolaire, les contacts 2 et 4 peuvent être configurés comme étant normalement ouverts en sélectionnant le mode « B ». Se reporter aux schémas de câblage 1 à 10 pour plus de détails.



Remarque : Lorsque le mode « B » est sélectionné, le DDT40 fonctionne de la manière suivante :

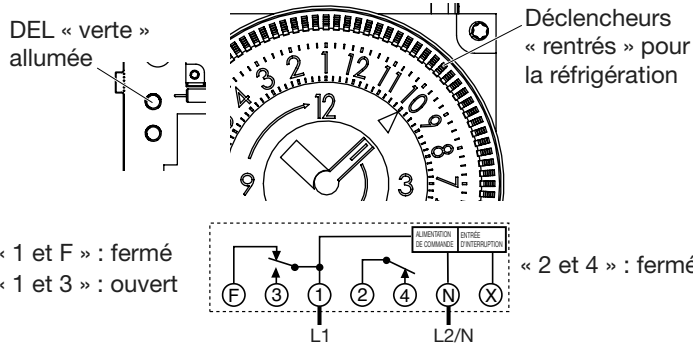
- Mode réfrigération : DEL rouge et verte éteintes (bornes 1 et 3, 2 et 4 ouvertes, bornes 1 et F fermées).
- Mode dégivrage : DEL rouge et verte allumées (bornes 1 et 3, 2 et 4 fermées, bornes 1 et F ouvertes).

DÉCLENCHEURS DDT40

MODE A

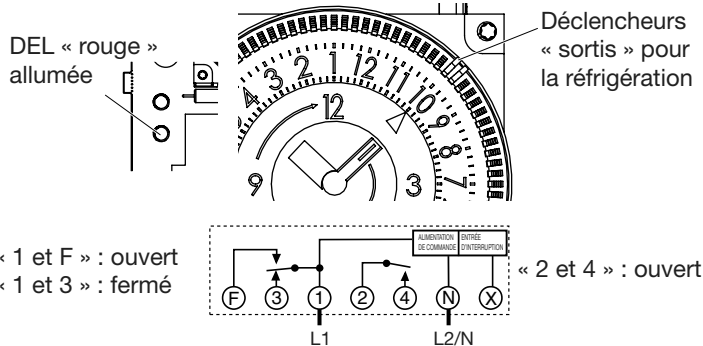
En mode réfrigération

Flèche de minuterie pointant vers l'heure actuelle



En mode dégivrage

Flèche de minuterie pointant vers l'heure actuelle

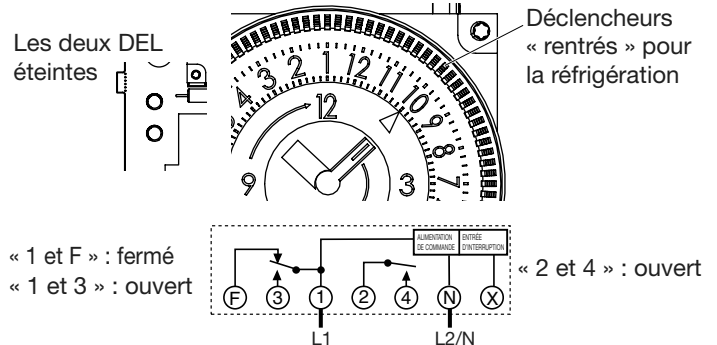


DÉCLENCHEURS DDT40

MODE B

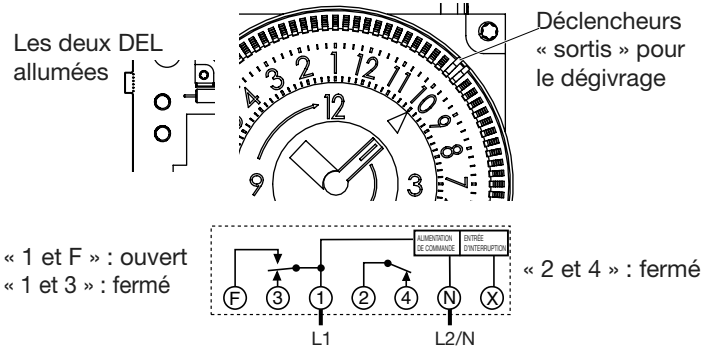
En mode réfrigération

Flèche de minuterie pointant vers l'heure actuelle



En mode dégivrage

Flèche de minuterie pointant vers l'heure actuelle



Remarque : Il est nécessaire d'appliquer une tension entre les bornes 1 et N pour effectuer le test électrique.

Remarque : Bien que le câblage soit équivalent, le panneau de commande DDT40 ne rentre pas dans un boîtier Paragon. Ce dernier doit être remplacé par le boîtier Intermatic fourni.

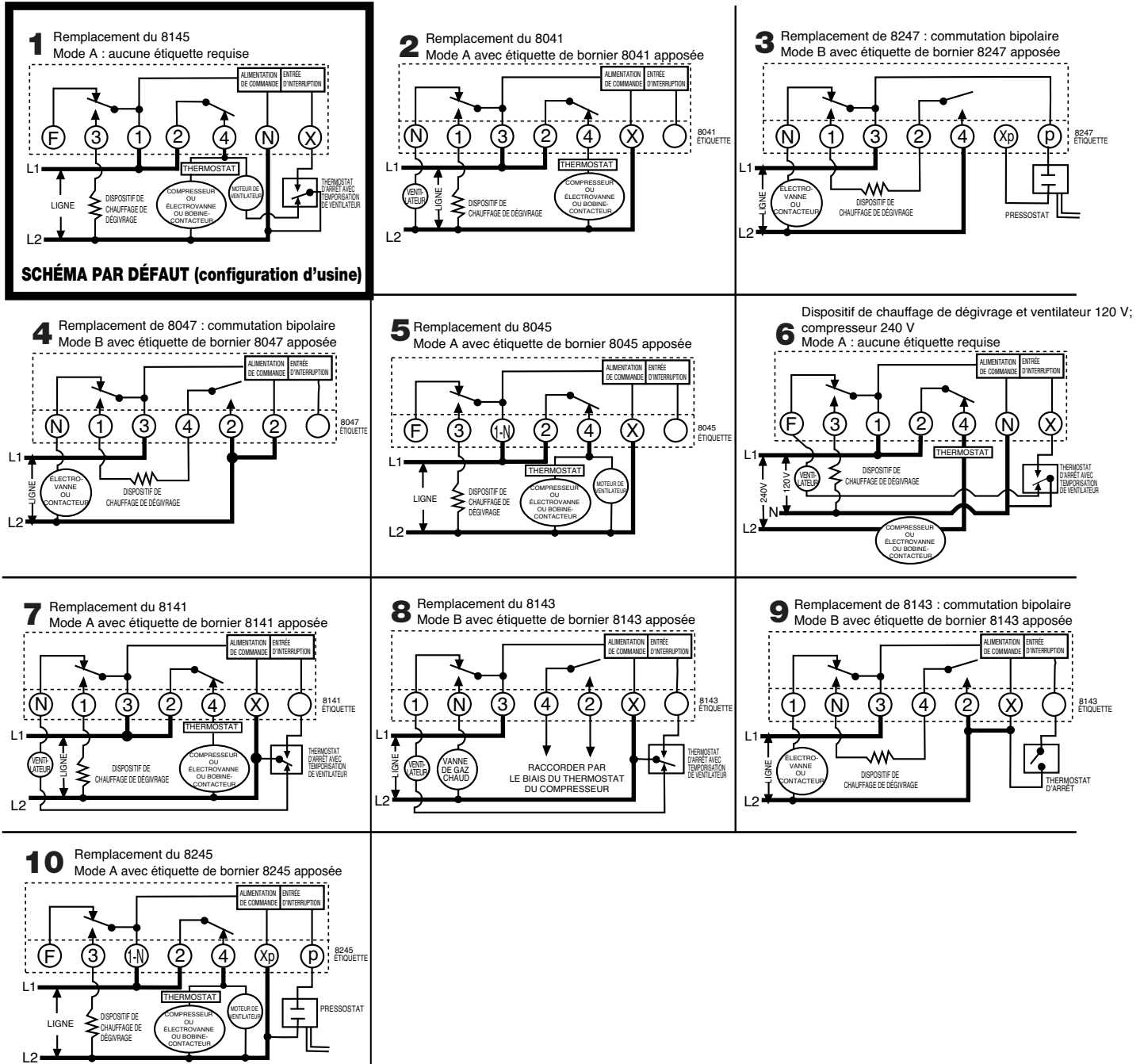
Paragon	Precision	Intermatic	Sélection de mode	Ident. de borne (étiquette)	Schéma de câblage	Disposition de borne
HEURE DE LANCEMENT, HEURE D'ARRÊT						
8045 ^{MD}	6045	DDT40	A	8045	5	F 3 1-N 2 4 X
8041 ^{MD}	6041	DDT40	A	8041	2	N 1 3 2 4 X
8047 ^{MD}	6047	DDT40	B	8047	4	N 1 3 4 2 2
HEURE DE LANCEMENT, TEMPÉRATURE À DISTANCE OU PRESSION À L'ARRÊT						
8145 ^{MD}	6415	DDT40	A	Aucune	1, 6	F 3 1 2 4 N X
8141 ^{MD}	6141	DDT40	A	8141	7	N 1 3 2 4 X
8143 ^{MD}	---	DDT40	B	8143	8, 9	1 N 3 4 2 X
HEURE DE LANCEMENT, PRESSION À L'ARRÊT (Commutateur de pression séparé requis, voir les instructions)						
8245 ^{MD}	---	DDT40	A	8245	10	F 3 1-N 2 4 Xp p
8247 ^{MD}	---	DDT40	B	8247	3	N 1 3 2 4 Xp p
Référence croisée						
Le modèle DDT40 remplace plus de 40 modèles						

TABLEAU 1

Sélecteur de remplacement de panneau de commande de dégivrage

SCHÉMAS DE CÂBLAGE TYPIQUES

Les positions de tous les interrupteurs sont indiquées pour le fonctionnement du cycle de réfrigération. Ils changent de position lors du lancement d'un dégivrage.



Toutes les marques de commerce appartiennent à leurs propriétaires respectifs.

Remplacement de minuteriers de dégivrage existantes

Identification de borne

L'identification de borne du panneau de commande DTAV40 standard est identique à celle du modèle Paragon série 8145 avec l'ajout de la borne « F ». Des étiquettes d'identification de borne sont prévues pour les autres modèles, à placer sur les chiffres imprimés sur la carte de circuit imprimé. Dans Tableau 1, sélectionner l'étiquette appropriée, l'apposer sur la carte de circuit imprimé et raccorder les câbles selon le câblage d'origine ou les schémas de câblage indiqués.

Borne « F »

Le panneau de commande DTAV40 comporte un contact normalement fermé entre les bornes 1 et F. Cette borne peut être utilisée pour éteindre les ventilateurs, plutôt que les bornes 2 et 4, pendant un dégivrage. Pour les applications de dégivrage par gaz chaud, les ventilateurs peuvent être raccordés à la borne « F » avec le sélecteur de mode en position « B ».

Remplacement du 8143

Lors du remplacement du modèle Paragon 8143, raccorder le thermostat d'arrêt à la borne X du panneau de commande DTAV40 (avec l'étiquette 8143 fixée) et à la borne vide adjacente. Les minuteriers Paragon sont raccordés par câble à la borne X et à la borne vide. Si le thermostat d'arrêt est raccordé à la borne N du panneau de commande DTAV40, l'arrêt thermique ne se produit pas et peut faire sauter le DTAV40. Voir les schémas de câblage 8 et 9.

Remplacement du modèle de la série 8240

Le panneau de commande DTAV40 peut être utilisé pour remplacer les minuteriers de dégivrage Paragon de la série 8240 avec arrêt intégral sous pression, en ajoutant un pressostat à distance raccordé aux bornes Xp et p du panneau de commande DTAV40 (avec une étiquette de borne série 8240 apposée). Il ne doit y avoir aucune tension externe associée au pressostat. Régler l'amorçage du pressostat à la même valeur que celle indiquée sur la minuterie de dégivrage Paragon remplacée. Régler l'interruption de 6 à 14 lb/po² en dessous de l'amorçage. Voir le schéma de câblage.

Programmation

Réglage de l'heure

Faire tourner le bouton de la minuterie FM dans le sens horaire jusqu'à ce que l'heure de la journée (AM [matin] ou PM [après-midi]) sur le cadran extérieur soit alignée avec le marqueur triangulaire sur le cadran intérieur.

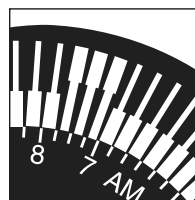
Remarque : Les emplacements des inscriptions AM et PM sur le cadran représentent respectivement 6 h (6:00 AM) et 18 h (6:00 PM). Par exemple, si le triangle pointe vers le 7 après PM, l'heure actuelle est 19 h (7:00 PM). Pointé vers le 5 avant PM, l'heure actuelle est 5 h (5:00 AM).

AVIS

Ne pas tourner le cadran ni l'aiguille des minutes dans le sens antihoraire.

Suivre la procédure suivante pour configurer les temps de dégivrage :

1. Sur la roue de la minuterie, choisir l'heure de début du dégivrage.
2. Glisser le déclencheur vers le haut, directement au-dessus de l'heure désirée. La minuterie lance un dégivrage de 15 minutes à l'heure configurée.
3. Pour augmenter la durée de dégivrage, glisser les déclencheurs adjacents à l'heure de début vers le haut.



Remarque : Chaque déclencheur sur la roue représente 15 minutes. Par exemple, pour régler un dégivrage de 45 minutes, glisser les deux déclencheurs adjacents à l'heure de début.

Remarque : Les emplacements des inscriptions AM et PM sur la roue représentent respectivement 6 h (6:00 AM) et 18 h (6:00 PM).

4. Répéter les étapes 1 à 3 autant que nécessaire pour configurer plusieurs temps de dégivrage pour un jour donné.

Durée de dégivrage :

La durée de dégivrage peut être définie, par intervalles de 15 minutes, pour un minimum de 15 minutes jusqu'à plusieurs heures. La durée de dégivrage détermine l'heure d'arrêt. En configuration standard, les contacts entre les bornes 1 et 3 sont normalement ouverts et fermés pendant un dégivrage pour alimenter les dispositifs de chauffage de dégivrage; les contacts entre les bornes 2 et 4 sont normalement fermés avec S1 en position « A » et ouverts pendant un dégivrage pour mettre la réfrigération et les ventilateurs hors tension.

Réglage de la durée maximale de dégivrage :

Il est possible de définir différentes durées de dégivrage pour chaque cycle de lancement de dégivrage. Chaque languette blanche (déclencheur) prévoit un intervalle de 15 minutes. Pour une durée de dégivrage plus longue, déplacer d'autres languettes (qui se suivent dans le temps) à partir de la languette de lancement. Par exemple, si un dégivrage de 45 minutes doit commencer à 7 h (7:00 AM), déplacer vers l'extérieur la languette se trouvant entre 7 h (7:00) et 7 h 15 (7:15) sur le côté matin (AM) du cadran et les languettes adjacentes à 7 h 15 - 7 h 30 (7:15 - 7:30) et 7 h 30 - 7 h 45 (7:30 - 7:45) (3 languettes ont été déplacées vers l'extérieur). Le dégivrage commence à 7 h (7:00 AM) et s'arrête à 7 h 45 (7:45 AM) (si l'arrêt thermique ne se produit pas en premier).

RENSEIGNEMENTS IMPORTANTS : Les contacts normalement fermés entre les bornes 2 et 4 sont fermés uniquement lorsque la minuterie de dégivrage est sous tension. Les contacts 2-4 sont des contacts normalement ouverts du relais K2. Pour vérifier la continuité du panneau de commande avec aucune tension appliquée, les contacts 2-4 apparaissent comme ouverts; c'est normal. Les contacts 1-3 apparaissent comme ouverts et les contacts 1-F comme fermés. Il est recommandé de tester le panneau de commande à l'aide d'un voltmètre, avec une tension nominale appliquée.

Démarrage du système

1. Remettre en place le couvercle de l'écran isolant fourni, le cas échéant. Voir FIG. 11.
2. Rebrancher l'alimentation de l'unité.
3. Une fois le nombre de sondes connectées détecté par le panneau de commande, le mode étalonnage se met en route.

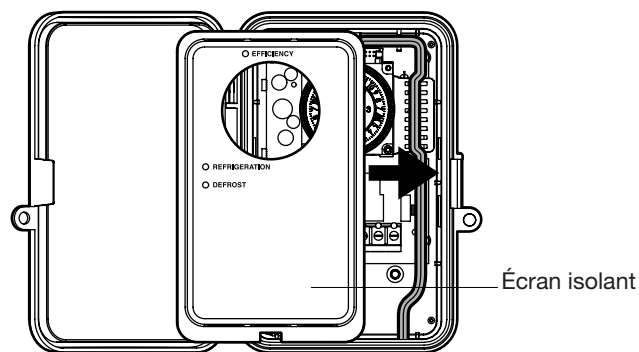


FIG. 11 Mise en place de l'écran isolant

4. Observer la DEL bleue lors du démarrage afin de vérifier que le panneau de commande DDT40 enregistre le nombre correct de sondes à thermistance. La DEL bleue clignote une fois pour chaque sonde reconnue.
5. Voir TABLEAU 2 et FIG. 12 ou FIG. 13 pour vérifier le bon fonctionnement du panneau de commande DDT40.

Diagnostics			
Mode	DEL	État	Mode du panneau de commande
A	DEL verte	ALLUMÉE	Mode réfrigération actif
	DEL rouge	ÉTEINTE	Mode dégivrage actif
B	DEL verte	ÉTEINTE	Mode réfrigération actif
	DEL rouge	ÉTEINTE	
	DEL verte	ALLUMÉE	Mode dégivrage actif
DEL rouge	ALLUMÉE		
A/B	DEL bleue	ALLUMÉE	Prochain dégivrage programmé à retarder (mode économique)
		ÉTEINTE	Prochain dégivrage programmé actif
		1 clignotement/ 1 seconde	Mode d'étalonnage
		5 clignotements/ 10 secondes	Erreur au niveau du capteur à thermistance
		1 à 4 clignotements/ 10 secondes	Se produit uniquement au démarrage pour indiquer le nombre de capteurs connectés au panneau de commande

TABLEAU 2 Tableau d'indication d'état des DEL

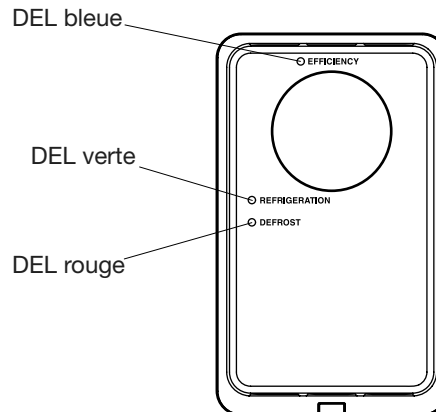


FIG. 12 DEL (modèle avec boîtier)

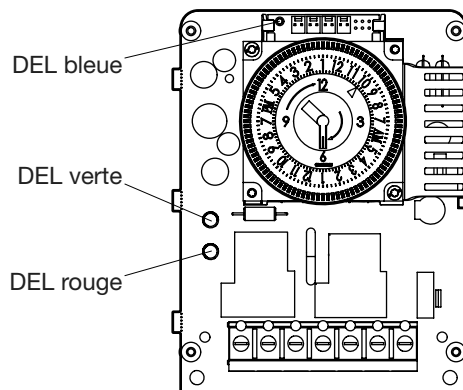


FIG. 13 DEL

FONCTIONNALITÉ DU PANNEAU DE COMMANDE DDT40

Modes

- **Mode économique** : les dégivrages programmés sont ignorés lorsque ce mode est activé pour le panneau de commande. Cela correspond à la DEL bleue allumée en permanence. Si aucune sonde à thermistance n'a été fixée ou en cas de panne de la sonde, le module de commande DDT40 fonctionne uniquement à partir de la minuterie de dégivrage et ne passe pas en mode économique.
- **Mode d'étalonnage** : le module de commande DDT40 passe en mode d'étalonnage au démarrage initial et après chaque cycle de dégivrage autorisé. Lors de l'étalonnage, le panneau de commande établit un comportement de base pour le serpent.
- **Initialisation de la sonde à thermistance** : le nombre de sondes à thermistance connectées au panneau de commande est détecté uniquement lors du démarrage initial du système. La DEL bleue émet un nombre de clignotements correspondant au nombre de sondes détectées. Si le nombre de sondes détectées n'est pas correct, débrancher l'alimentation du panneau de commande avant d'essayer de résoudre le problème.

En option : dégivrage manuel

Pour lancer un dégivrage manuel, tourner le bouton de la minuterie FM dans le sens horaire pour passer deux cycles consécutifs de dégivrage programmé en 60 secondes.

En option : plusieurs évaporateurs

Le panneau de commande DDT40 présente quatre entrées de capteur qui permettent de contrôler jusqu'à quatre serpentins d'évaporateur. Généralement, dans un système comprenant quatre évaporateurs, la minuterie active un contacteur qui alimente les multiples charges de dégivrage en même temps. Lorsque le panneau de commande DDT40 détecte une diminution de la capacité d'un ou de plusieurs serpentins, le mode économique se désactive et la minuterie de dégivrage lance un dégivrage au prochain intervalle programmé.

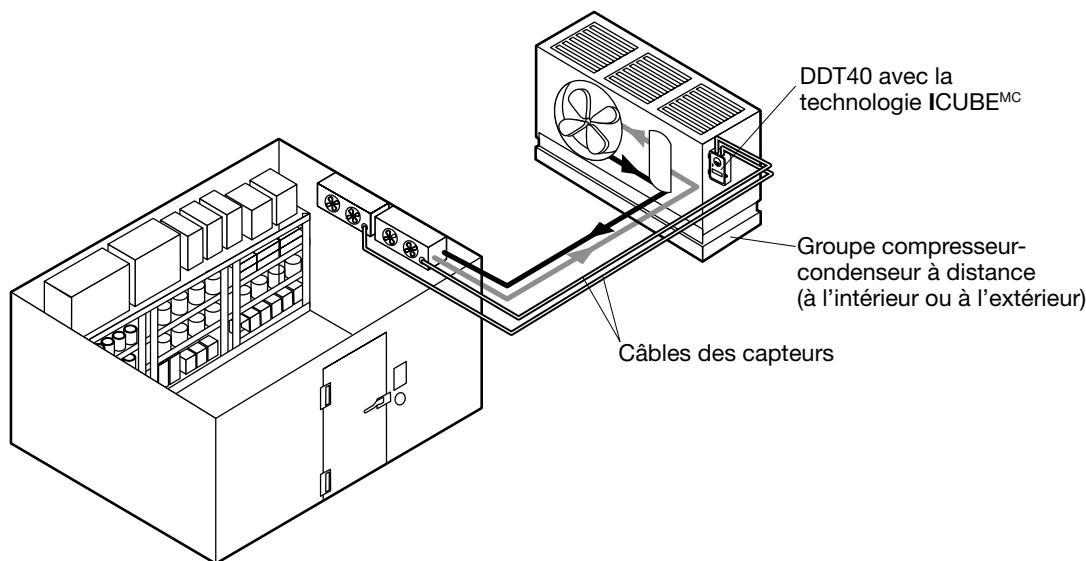


FIG. 14 Système d'évaporateur

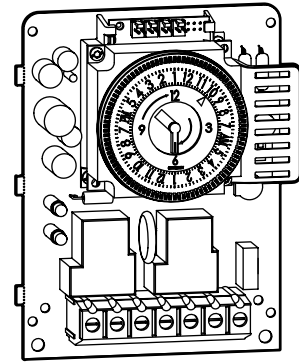
Pour toute assistance complémentaire, communiquer avec le service technique au 1-815-675-7000.



Spring Grove, Illinois 60081
www.intermatic.com

Control adaptable de descongelación DDT40

Manual de instalación y operación



SECCIÓN DE SEGURIDAD

⚠ ADVERTENCIA

Riesgo de incendio o descarga eléctrica

- Desconecte el suministro eléctrico de los disyuntores o los interruptores de desconexión antes de comenzar la instalación o el mantenimiento.
- Es posible que se requiera más de un disyuntor o interruptor de desconexión para desenergizar el equipo antes del mantenimiento.
- La instalación y el cableado deben realizarse de conformidad con las disposiciones de los códigos eléctricos locales y nacionales.
- Para cargas de 40A, use cable AWG 8, para cargas de 30A, use AWG 10 con capacidad de 90 °C como mínimo - Use SOLO conductores de COBRE.
- No exceda la capacidad máxima de conducción de corriente.
- La unión entre las conexiones del conducto no es automática y debe incluirse como parte de la instalación.
- Para lugares en exterior o con humedad (resistentes a la lluvia), se usarán conductos que cumplan con los requisitos de la UL514B (norma para instalaciones de conductos y cajas de salida).
- MANTENGA SIEMPRE LA PUERTA CERRADA si no está realizando mantenimiento.
- Vuelva a colocar el frente muerto después del mantenimiento o la instalación, si corresponde.

⚠ AVERTISSEMENT

Risque d'incendie ou de choc électrique

- Pour les charges de 40 A, utiliser du fil n° 8 AWG, pour les charges de 30 A, utiliser n° 10 AWG classés 90° C minimum – Utiliser EXCLUSIVEMENT des conducteurs en CUIVRE.
- La liaison entre les raccordements de conduits n'est pas automatique et doit être prévue dans le cadre de l'installation.

AVISO

- Solo debe girar el disco selector del temporizador en el sentido de las manecillas del reloj, si lo gira en el sentido contrario dañará el temporizador.
- No mueva las manecillas del reloj del temporizador. Si las mueve de forma manual se dañará el temporizador.
- El cable del termistor puede extenderse hasta 122 m (400 pies) si usa el cableado provisto en terreno entre la ubicación del control DDT40 y la sonda del termistor.
- Use el número de modelo de Intermatic DT-B para montar el tablero del controlador de descongelación en un soporte.

DESCRIPCIÓN DEL PRODUCTO

El control comercial de refrigeración DDT40 está integrado con la tecnología de detección adaptable de descongelación ICUBE™. Este Control adaptable de descongelación con tecnología ICUBE™ transforma un típico temporizador DTAV40 de Intermatic en un control adaptable de descongelación que tiene la capacidad de omitir eventos de descongelación programados cuando no se necesitan con el fin de ahorrar energía. No hay ningún cambio en el cableado de carga del temporizador de descongelación de Intermatic. Para obtener más detalles, consulte los diagramas de cableado en página 27.

Las sondas del termistor se pueden instalar hasta 122 m (400 pies) del DDT40. De forma adicional, puede conectar hasta cuatro sondas de termistor en un único control DDT40 con el fin de monitorear varios serpentines de evaporador. Para pedir kits de sondas de termistor adicionales, use el número de pieza 178GR10K-1.

Para uso en aplicaciones de descongelación eléctrica o por gas caliente donde se termina la descongelación cuando el serpentín queda sin escarcha, según lo detectado por un interruptor de temperatura o presión, aun cuando no se haya alcanzado la *hora de término* programada. El *término por tiempo* funciona como un seguro contra fallas y terminará la descongelación si el interruptor de temperatura o presión falla. El interruptor de temperatura o presión en el serpentín de refrigeración tiene contactos que se cierran cuando la temperatura o presión suben por sobre el punto de congelación, indicando que se ha derretido la escarcha y el hielo del serpentín. Normalmente se usa un interruptor SPDT (unipolar de doble tiro) de temperatura diferencial con sus contactos normalmente cerrados cableados a los ventiladores para retardar el encendido de los ventiladores hasta que la temperatura del serpentín se haya reducido por debajo del punto de congelación.

DDT40

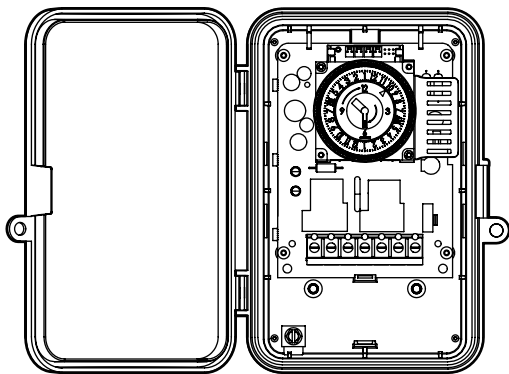


FIG. 1 DDT40 con caja

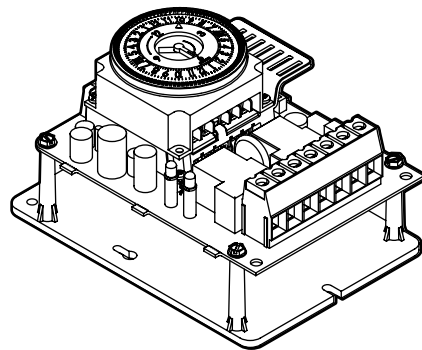


FIG. 2 Montaje en soporte (Artículo vendible DT-B. Consulte las instrucciones de instalación de DT-B).

Especificaciones

Voltajes de funcionamiento

- 120–240 V CA, 60 Hz

Cargas máximas:

Carga de calentador de descongelación:

- 120 V CA: 4800 W
- 240 V CA: 9600 W

Carga de ventilador y compresor:

- 120 V CA: 1 HP
- 240 V CA: 2 HP

Carga de ventilador en terminal F:

- 120 V CA: 1 HP
- 240 V CA: 2 HP

Capacidades máximas de contactos:

Contactos [1] y [3]:

- 40A resistiva
- 1 HP a 120 V CA
- 2 HP a 240 V CA

Contactos [2] y [4]:

- 40A resistiva
- 1 HP a 120 V CA
- 2 HP a 240 V CA

Contactos [1] y [F]:

- 40A resistiva
- 1 HP a 120 V CA
- 2 HP a 240 V CA

Montaje:

- Caja: Tipo 3R de plástico, resistente a la lluvia para uso en aplicaciones en interiores y exteriores

Conexiones de cableado:

Note: Consulte ADVERTENCIAS en la página 21 antes de proceder.

- Terminales de abrazadera de tornillo: cable AWG 22 a cable AWG 8
- Use cable AWG 8 con capacidad para 90 °C en el caso de cargas de 40A
- Use cable AWG 10 con capacidad para 90 °C en el caso de cargas de 30 A

Protección ambiental:

- Temperatura de funcionamiento: -40 °C a 55 °C (-40 °F a 130 °F)
- Humedad de funcionamiento: 0 a 95 % HR sin condensación

Capacidades de las sondas del termistor:

- Termistor*: tipo NTC
- Capacidad: 10 K Ω a 25 °C
- Tamaño del cable: Calibre 24 (AWG)
- Rango de funcionamiento: -40 °C a 67 °C (-40 °F a 152 °F)
- Longitud de cable de sonda de termistor: 3,05 m (10 pies)
- Longitud de cable de conector: 1,83 m (6 pies)

*Las conexiones de la sonda del termistor no corresponden a un circuito aislado Clase 2.

*Solo use sondas de termistor especificadas para el modelo DDFM.

Organismo de certificación:

- UL Listed

INSTALACIÓN

Note: Consulte las ADVERTENCIAS en la página 21 antes de proceder.

Herramientas necesarias

- Alicates de punta fina
- Destornillador plano pequeño o TORX™ n° 4-40
- Cortacables
- Pelacables
- Paño de lija o limpiador evaporador

- Cinta aisladora, abrazadera de manguera o bridas para cables (posiblemente necesarias)

- Alambre guía (posiblemente necesario)

Montaje de la caja

1. Identifique un lugar adecuado para montar el control DDT40.
2. Abra la puerta y extraiga el frente muerto soltando el pestillo de resorte en la base. Consulte FIG. 3.
3. Pegue las etiquetas correspondientes de identificación de terminales y la puerta. Consulte las instrucciones incluidas en el kit de actualización.
4. En caso necesario, extraiga el mecanismo del temporizador soltando el pestillo de PCB en la base. Consulte FIG. 4.
5. Monte firmemente la caja. Se recomienda usar tornillos nº 10 para el montaje.
 - Coloque la caja en la ubicación que desee, dejando espacio para que la puerta de la caja pueda abrirse por completo. Para instalar la caja use los elementos de montaje que se incluyen. Taladre a través de los orificios de montaje inferiores si se necesitan para afirmar la caja. Consulte FIG. 5.

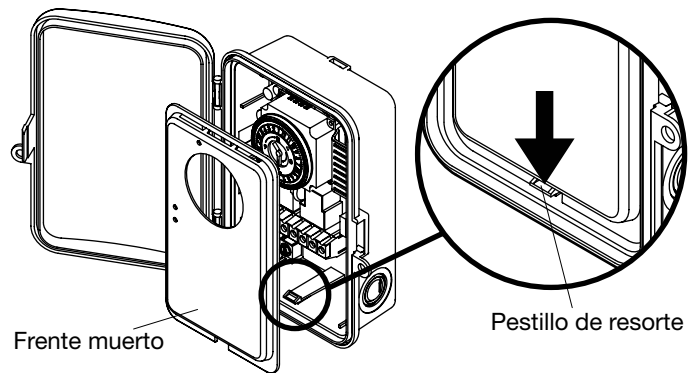


FIG. 3 Extraer el frente muerto

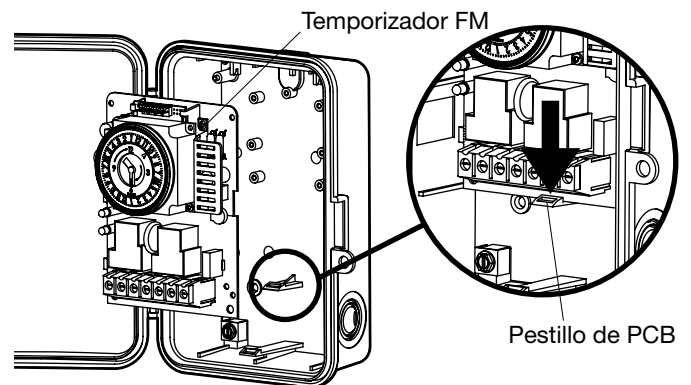


FIG. 4 Extraer el temporizador FM de la caja

6. Seleccione y abra la cantidad apropiada de troqueles para la instalación, tal como se muestra en FIG. 6. Para extraer el círculo interno de 1/2" de un troquel, inserte un destornillador en la ranura y suéltelo cuidadosamente con un golpe suave. Si se necesita más espacio para el cableado, con unos alicates extraiga el anillo externo de 3/4" del troquel después de haber extraído el círculo interno. Alise los bordes del troquel en caso necesario. Consulte FIG. 6.

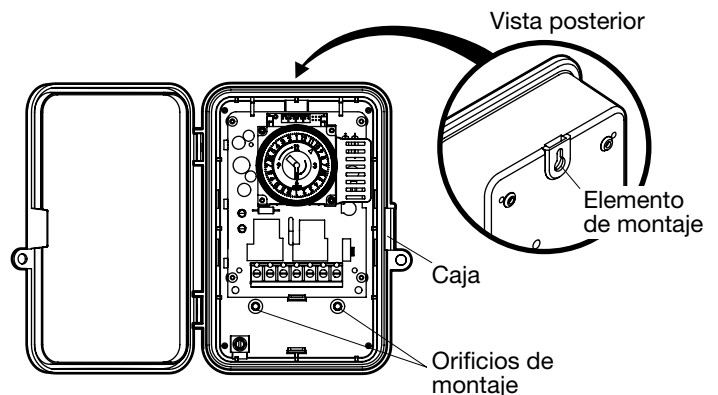


FIG. 5 Caja

7. Use los accesorios con las capacidades adecuadas para la instalación.
8. Vuelva a instalar el temporizador en la caja.
9. Una vez que haya terminado de realizar el cableado, debe volver a colocar el frente muerto.

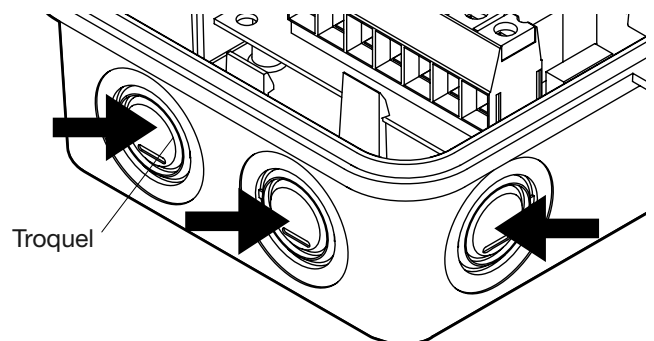


FIG. 6 Troqueles

Cableado

1. Guíe los cables de alimentación y carga según corresponda para su instalación. Consulte los diagramas de cableado en la página 7 para ver ejemplos de instalaciones típicas.
2. Pele los cables de alimentación y carga a 1/2" del extremo.
3. Conecte los cables a los terminales adecuados y asegúrelos muy bien.

Instale la sonda del termistor

1. Planifique y guíe el largo del cable de cobre proporcionado en el lugar de instalación necesario para conectar la sonda del termistor desde el serpentín del evaporador al conductor de entrada. (Este cable puede ser AWG 18-14 blindado o no y hasta de 121,92 m (400 pies) de largo).

Nota: Los cables proporcionados en el lugar de instalación pueden ir junto a los cables de alimentación a través de conductos nuevos o existentes.

2. Conecte el cable de entrada al control DDT40 como se muestra en FIG. 7. El cable de entrada puede insertarse en cualquiera de los cuatro conectores del control DDT40.

Nota: Asegúrese de que las clavijas de entrada estén bien alineadas con el cable del conector de entrada.

3. Guíe el cable de entrada sobre la lengüeta y alrededor del temporizador FM tal como se muestra en FIG. 8.
4. Corte el largo del cable de entrada para asegurar la conexión dentro de la caja, tal como se muestra en FIG. 8.
5. Use los conectores de cable incluidos para conectar el cable de entrada al cable proporcionado en el lugar de instalación que ya se ha guiado.
6. Conecte la sonda del termistor al serpentín del evaporador. Hay dos opciones para colocar la sonda.

Nota: Verifique que esté limpia el área de la superficie del tubo de cobre destinada para colocar la sonda del termistor. Use paño de lija o limpiador evaporador para limpiar la superficie. Si la superficie está sucia creará una barrera aislante que puede provocar lecturas inexactas de la temperatura.

- Inserte la sonda entre las aletas de refrigeración, tal como se muestra en FIG. 9. Verifique que la sonda haga buen contacto con uno de los tubos del evaporador. Luego, con los alicates de punta fina, doble cuidadosamente las aletas de refrigeración para que queden juntas y sostengan firmemente la sonda en su lugar.
- Use la abrazadera incluida pero si su tamaño no es el correcto, use otro medio para atar la sonda del termistor a uno de los tubos del circuito, por ejemplo, abrazadera de manguera, cinta aisladora, abrazadera plástica, tal como se muestra en FIG. 10. Enganche la sonda en uno de los serpentines inferiores, ya sea en la posición de las 10 en punto o las 2 en punto, asegurándose de que la sonda haga buen contacto con el tubo del evaporador.

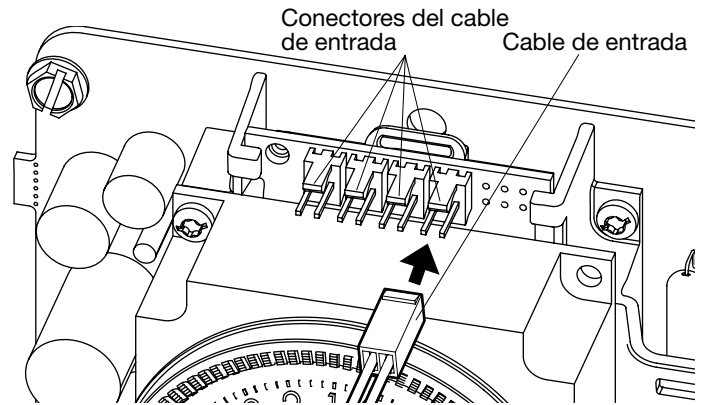


FIG. 7 Conectar cable de entrada

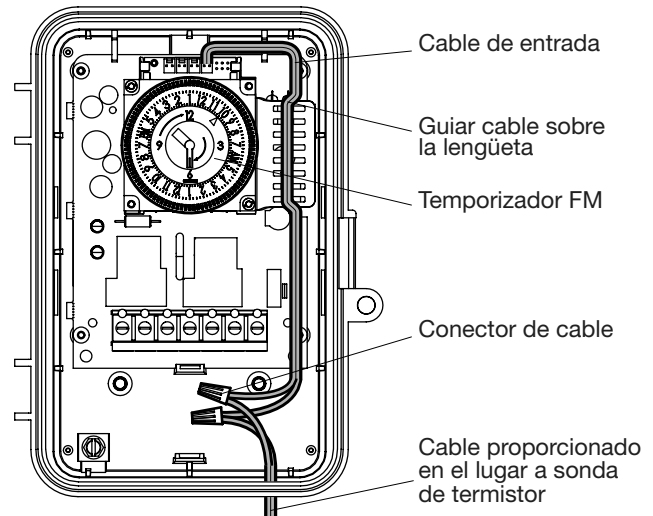


FIG. 8 Guiar cable de entrada

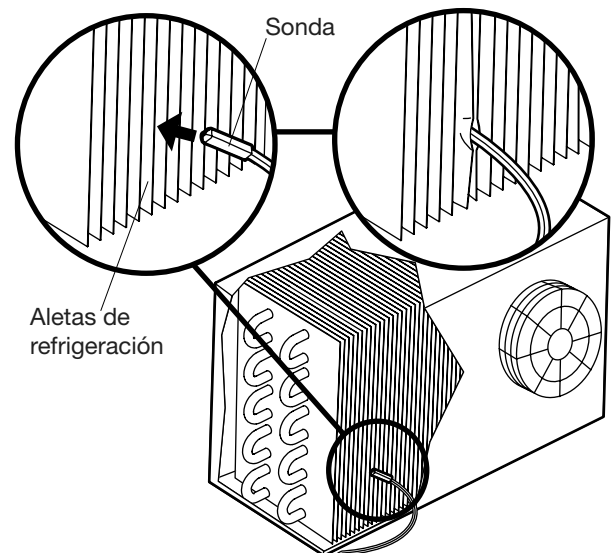


FIG. 9 Insertar la sonda del termistor entre las aletas de refrigeración del evaporador

Posición recomendada de la sonda del termistor

La sonda se debe colocar y atar donde se acumule la escarcha más rápidamente. Por lo general, esto es entre 2,5 cm y 5 cm (1" a 2") de cualquiera de los extremos, en el cuarto inferior y en el lado de descarga del serpentín del evaporador. Si no está seguro de dónde se acumula más rápidamente la escarcha, ponga el sistema en descongelación manual (consulte "Opcional: Descongelación manual" en la página 30) y monitoree cuál es la última zona donde queda escarcha en el evaporador antes de que el serpentín esté completamente sin hielo.

La sonda no se debe atar muy cerca del elemento calefactor eléctrico de descongelamiento.

7. Guíe los cables de la sonda del termistor lejos de los ventiladores del evaporador y las aletas de refrigeración, evitando que se pellizquen o queden tirantes. Guíe el cable por los conductos de línea de voltaje nuevos o existentes. Afirme los cables según corresponda para su instalación.
8. Use los conectores de cable incluidos para conectar el cable de la sonda del termistor al cable AWG 18–14 proporcionado en lugar de instalación que ya se ha guiado.
9. Use cinta aislante para proteger todas las conexiones de la humedad.
10. Si se requieren más sondas de termistor, repita todos los pasos de esta sección. Para evaporadores de gran tamaño, puede agregar una sonda de termistor a un serpentín a cada lado (opuesto).
11. Para instalaciones con varios evaporadores, consulte "Opcional: Varios evaporadores" en la página 30.

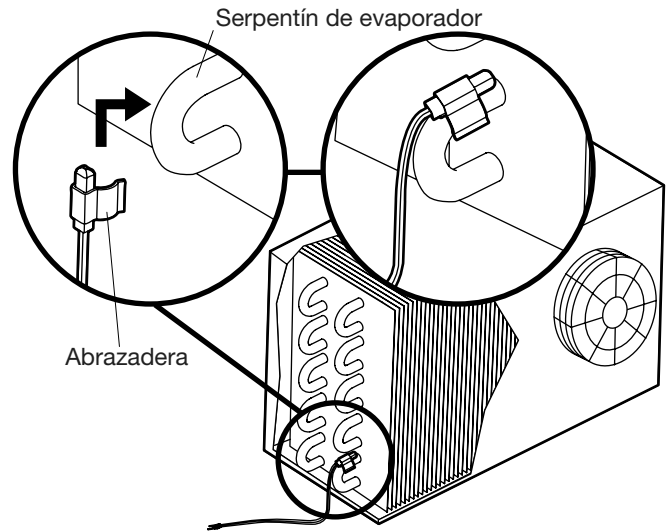


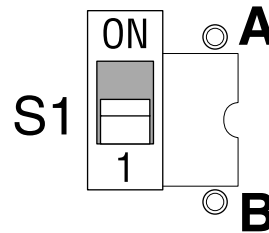
FIG. 10 Conectar sonda del termistor al serpentín del evaporador

Selección de modo

Determine qué control de descongelación será el que se reemplazará (Intermatic u otro fabricante) según lo que se indica en la TABLA 1. El interruptor DIP selector de modo (ubicado en el lado inferior derecho del panel) determina la configuración de los terminales 2 y 4. En la posición "A", los terminales están normalmente cerrados y se abrirán durante una descongelación. En la posición "B", los terminales 2 y 4 están normalmente abiertos y se cerrarán durante una descongelación. Seleccione la posición adecuada en la tabla y los diagramas de cableado indicados. Para seleccionar el modo solo tiene que deslizar el interruptor de la siguiente manera:

- Modo A: lleve el interruptor hacia arriba;
- Modo B: lleve el interruptor hacia abajo;

En la mayoría de las aplicaciones, los contactos en los terminales 2 y 4 están normalmente cerrados con S1 en la posición "A" y controlan los ventiladores y el equipo de refrigeración o compresor. Para descongelación por gas caliente o para conmutación de dos polos, los contactos 2 y 4 se pueden configurar como normalmente abiertos si se selecciona el modo "B". Consulte los diagramas de cableado 1 al 10 para ver detalles adicionales.



Nota: Cuando se selecciona el Modo "B" el DDT40 funcionará de la siguiente manera:

- Modo de refrigeración: las luces LED roja y verde se apagarán (OFF) (los terminales 1 y 3, 2 y 4 estarán abiertos mientras que los terminales 1 y F estarán cerrados).
- Modo de descongelación: las luces LED roja y verde se encenderán (ON) (los terminales 1 y 3, 2 y 4 estarán cerrados mientras que los terminales 1 y F estarán abiertos).

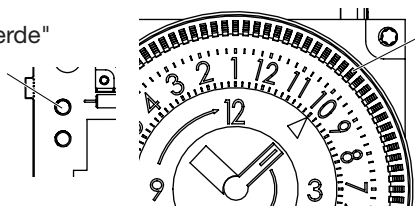
DISPARADORES DE DDT40

MODO A

En modo de refrigeración

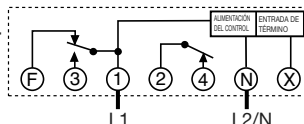
La flecha del temporizador apunta a la hora actual.

LED "verde"
ON



Disparadores en "IN" indica refrigeración

"1 y F" conjuntador
"1 y 3" disruptor

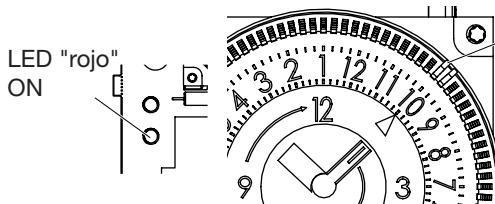


"2 y 4" conjuntador

En modo de descongelación

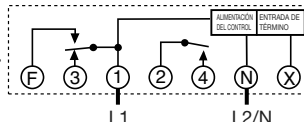
La flecha del temporizador apunta a la hora actual.

LED "rojo"
ON



Disparadores en "OUT" indica descongelación

"1 y F" disruptor
"1 y 3" conjuntador



"2 y 4" disruptor

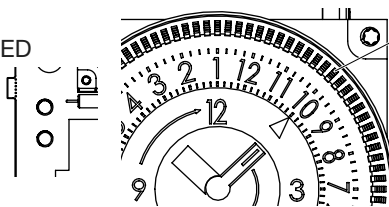
DISPARADORES DE DDT40

MODO B

En modo de refrigeración

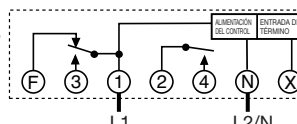
La flecha del temporizador apunta a la hora actual.

Ambos LED
OFF



Disparadores en "IN" indica refrigeración

"1 y F" conjuntador
"1 y 3" disruptor

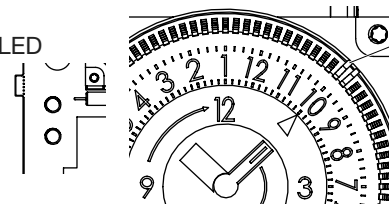


"2 y 4" disruptor

En modo de descongelación

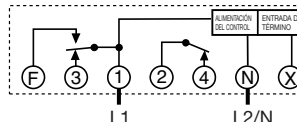
La flecha del temporizador apunta a la hora actual.

Ambos LED
ON



Disparadores en "OUT" indica descongelación

"1 y F" disruptor
"1 y 3" conjuntador



"2 y 4" conjuntador

Nota: Es necesario aplicar alimentación en los terminales 1 y N para realizar prueba eléctrica.

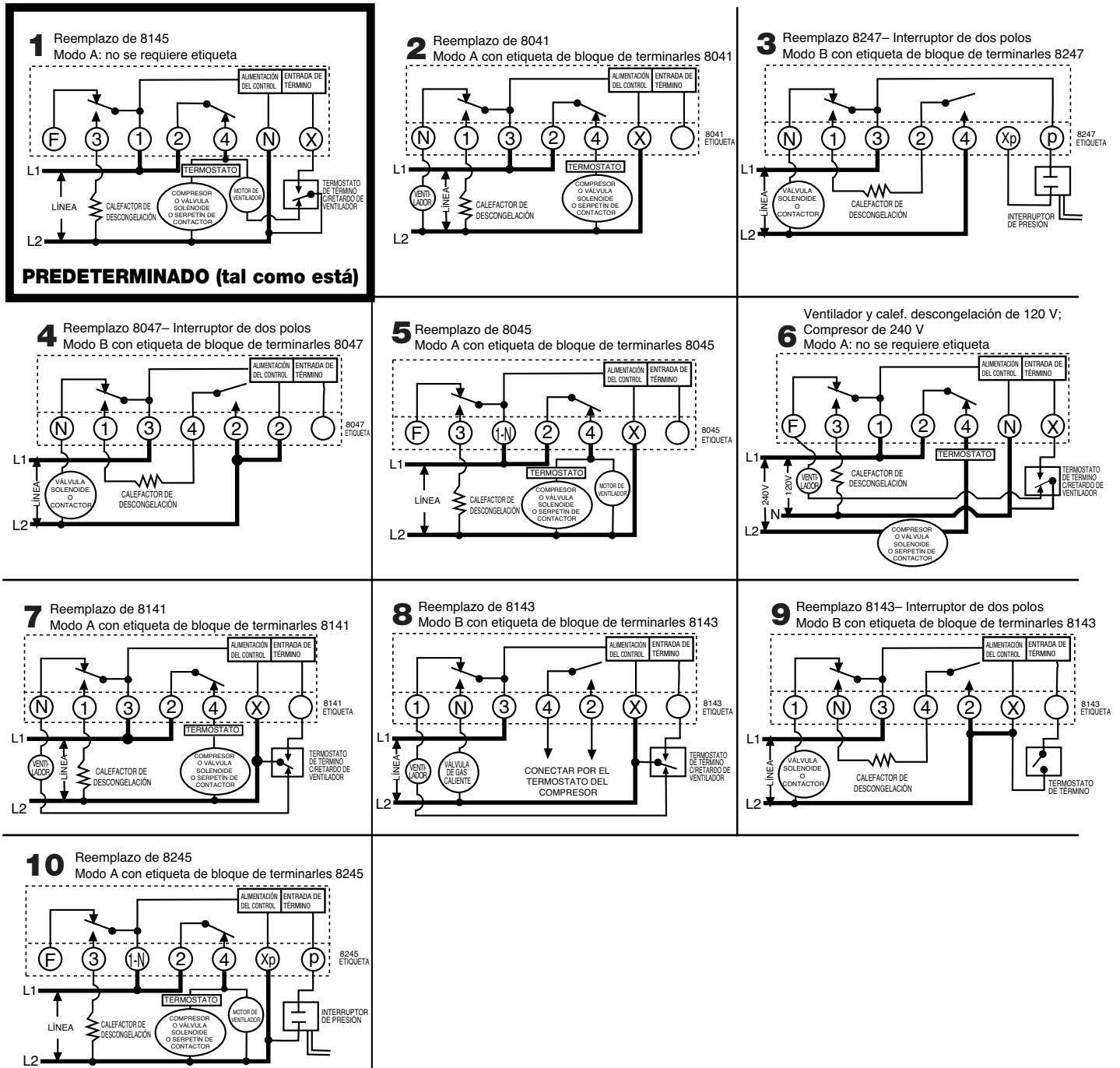
Nota: Aunque el cableado es equivalente, el DDT40 no cabe dentro de una caja Paragon. Esta caja debe cambiarse por la caja Grasslin™ incluida.

Paragon	Precision	Intermatic	Selección de modo	Etiqueta ident. de terminal	Diagrama de cableado	Configuración de terminales
INICIO POR TIEMPO, TÉRMINO POR TIEMPO						
8045®	6045	DDT40	A	8045	5	F 3 1-N 2 4 X ○
8041®	6041	DDT40	A	8041	2	N 1 3 2 4 X ○
8047®	6047	DDT40	B	8047	4	N 1 3 4 2 2 ○
INICIO POR TIEMPO, TEMPERATURA REMOTA O TÉRMINO POR PRESIÓN						
8145®	6415	DDT40	A	Ninguno	1, 6	F 3 1 2 4 N X
8141®	6141	DDT40	A	8141	7	N 1 3 2 4 X ○
8143®	---	DDT40	B	8143	8, 9	1 N 3 4 2 X ○
INICIO POR TIEMPO, TÉRMINO POR PRESIÓN (Se requiere un interruptor de presión independiente (consulte las instrucciones))						
8245®	---	DDT40	A	8245	10	F 3 1-N 2 4 Xp p
8247®	---	DDT40	B	8247	3	N 1 3 2 4 Xp p
Ref. cruzada						
DDT40 reemplaza a más de 40 modelos						

TABLA 1 Selector de reemplazo de control de descongelación

DIAGRAMAS DE CABLEADO TÍPICOS

Todas las posiciones de interruptores se muestran durante el funcionamiento del ciclo de refrigeración y cambian de posición cuando se inicia una descongelación.



Todas las marcas registradas son de propiedad de sus respectivos dueños.

Reemplazo de temporizadores de descongelación existentes

Identificación de terminal

La identificación estándar del terminal DTAV40 es idéntica a la de Paragon 8145 con la adición del terminal "F". Las etiquetas de identificación de terminal se proporcionan para que se coloquen en los otros modelos sobre los números impresos de la tarjeta de circuito impreso. A partir de la Tabla 1, seleccione la etiqueta correcta, aplíquela en la tarjeta de circuito impreso y realice el cableado según el cableado original o los diagramas de cableado indicados.

Terminal "F"

El DTAV40 contiene un contacto normalmente cerrado entre los terminales 1 y F. Este terminal se puede usar para apagar los ventiladores durante la descongelación en lugar de los terminales 2 y 4. Para aplicaciones de descongelación por gas caliente, con el interruptor de modo en la posición "B", se pueden conectar los ventiladores al terminal "F".

Reemplazo de 8143

Cuando reemplace un Paragon 8143, cablee el termostato de terminación hasta el terminal X del DTAV40 (con la etiqueta 8143 pegada) y el terminal en blanco adyacente. Los temporizadores Paragon están cableados al terminal X y el terminal en blanco. Si el termostato de terminación está cableado al terminal N de temperatura de DTAV40, no se producirá el término y puede provocar que DTAV40 se funda. Consulte los diagramas de cableado 8 y 9.

Reemplazo de la serie 8240

El DTAV40 se puede usar para reemplazar temporizadores de descongelación Paragon de la serie 8240 con término integral por presión mediante la adición de un interruptor remoto de presión con cableado a los terminales Xp y p del DTAV40 (con una etiqueta de terminal de la serie 8240 pegada). No debe haber voltaje externo conectado al interruptor de presión. Establezca el valor de conexión del interruptor de presión en el mismo valor establecido en el temporizador de descongelación Paragon que se está reemplazando. Establezca el valor de desconexión en 6 a 14 psi por debajo del de conexión. Consulte el diagrama de cableado

Programación

Establecimiento de la hora

Gire el disco selector del temporizador FM en el sentido de las manecillas del reloj hasta que la hora del día (AM o PM) del disco selector externo esté alineada con la marca de triángulo del disco selector interno.

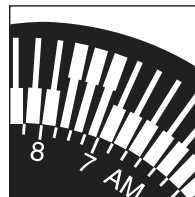
Nota: Las ubicaciones AM y PM en el disco selector representan las 6 AM y 6 PM. Por ejemplo, si el triángulo apunta al 7 después de PM, entonces la hora actual es 7 PM. Si el triángulo apunta al 5 antes de PM, entonces la hora actual es 5 AM.

AVISO

No gire el disco selector o el minutero en el sentido contrario a las manecillas del reloj.

Siga este procedimiento para configurar las horas de descongelación:

1. En la rueda del temporizador, seleccione una hora de inicio de la descongelación.
2. Deslice hacia arriba el disparador que está directamente sobre la hora deseada. El temporizador iniciará una descongelación de 15 minutos a la hora configurada.
3. Para aumentar la duración de la descongelación, deslice hacia arriba los disparadores que están adyacentes a la hora de inicio.



Nota: Cada disparador en el disco horario representa 15 minutos. Por ejemplo, para establecer una descongelación de 45 minutos, deslice los dos disparadores adyacentes a la hora de inicio.

Nota: Las ubicaciones de AM y PM en el disco representan las 6 AM y 6 PM.

4. Repita los pasos 1 a 3 según sea necesario para configurar diversas horas de descongelación para un día determinado.

Duración de la descongelación:

La duración de la descongelación se puede establecer en intervalos de 15 minutos desde un mínimo de 15 minutos hasta varias horas. La duración de la descongelación determina la hora de término. En la configuración estándar, los contactos entre los terminales 1 y 3 están normalmente abiertos y se cierran durante una descongelación para energizar los calentadores de descongelación; los contactos entre los terminales 2 y 4 están normalmente cerrados con S1 en la posición "A" y abiertos durante una descongelación para desenergizar la refrigeración y los ventiladores.

Establecimiento de la duración máxima de descongelación:

Es posible establecer distintas duraciones de descongelación para cada configuración de inicio de descongelación. Cada lengüeta blanca (disparador) proporciona un intervalo de 15 minutos. Para una mayor duración de descongelación, mueva lengüetas adicionales (de las horas siguientes) a partir de la lengüeta inicial. Por ejemplo, si una descongelación de 45 minutos debe empezar a las 7:00 AM, mueva hacia afuera la lengüeta que está entre las 7:00 y 7:15 en el lado AM del disco selector, y las lengüetas adyacentes a 7:15-7:30 y 7:30-7:45. (se mueven tres lengüetas hacia afuera). La descongelación se iniciará a las 7:00 AM y terminará por tiempo a las 7:45 AM (si no se produce primero el término por temperatura).

INFORMACIÓN IMPORTANTE: Los contactos normalmente cerrados entre los terminales 2 y 4 solo se cierran cuando el temporizador de descongelación está energizado. Los contactos 2-4 son contactos normalmente abiertos del relé K2. Cuando se compruebe la continuidad del control sin voltaje aplicado, los contactos 2-4 aparecerán abiertos; esto es normal. Los contactos 1-3 se verán abiertos y los contactos 1-F se verán cerrados. Recomendamos que las pruebas del control se realicen con el uso de un voltímetro, con el voltaje nominal aplicado.

Arranque del sistema

1. Vuelva a colocar la cubierta del frente muerto en su lugar, si corresponde. Consulte FIG. 11.
2. Vuelva a aplicar alimentación a la unidad.
3. Una vez que el control detecte la cantidad de sondas conectadas, entrará en el modo de calibración.

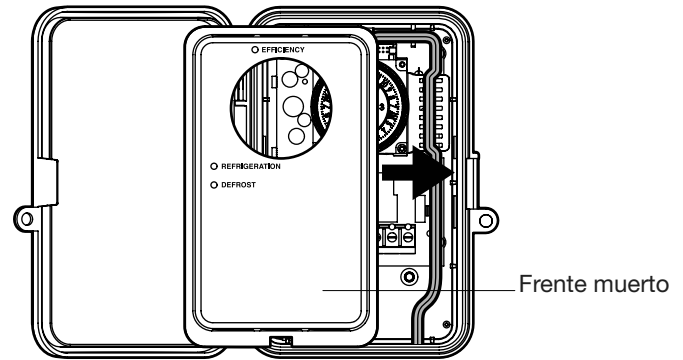


FIG. 11 Colocar el frente muerto

4. Observe la luz LED azul durante el arranque para verificar que el control DDT40 registra la cantidad correcta de sondas de termistor. La luz LED azul destellará una vez por cada sonda reconocida.
5. Consulte la TABLA 2 y la FIG. 12 o FIG. 13 para verificar el funcionamiento correcto del control DDT40.

Diagnóstico			
Modo	LED	Estado	Modo de control
A	LED verde	ON	Modo de refrigeración activo
	LED rojo	OFF	Modo de descongelación activo
B	LED verde	OFF	Modo de refrigeración activo
	LED rojo	OFF	
	LED verde	ON	Modo de descongelación activo
	LED rojo	ON	
A/B	LED azul	ON	Se retrasará la próxima descongelación programada (modo de eficiencia)
		OFF	Próxima descongelación programada activa
		1 destello/1 segundo	Modo de calibración
		5 destellos/10 segundos	Error de sensor de termistor
		1-4 destellos/10 segundos	Solo ocurre en el arranque para indicar la cantidad de sensores conectados al control

TABLA 2 Tabla de indicadores de estado LED

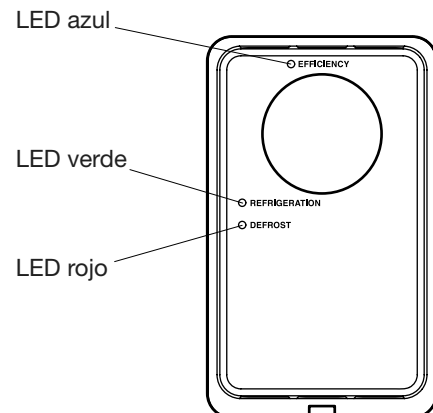


FIG. 12 LED (se muestra el modelo adjunto)

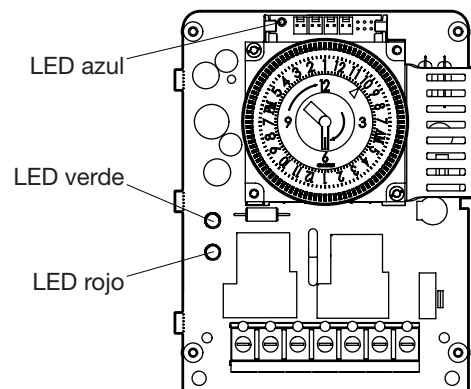


FIG. 13 LED

FUNCIONALIDAD DEL CONTROL DDT40

Modos

- **Modo de eficiencia:** cuando el control está en este estado, las descongelaciones programadas se derivan. Esto se indica mediante la luz LED encendida de forma continua. Si no hay una sonda de termistor adjunta o se produce un error de la sonda, el módulo de control DDT40 funciona únicamente fuera del temporizador de descongelación y no entra en el modo de eficiencia.
- **Modo de calibración:** el módulo de control DDT40 entra en el modo de calibración en el arranque inicial y después de cada ciclo de descongelación permitido. Durante la calibración el control establece un comportamiento inicial del serpentín.
- **Inicialización de sondas de termistor:** la cantidad de sondas de termistor conectadas al control se detecta durante el arranque inicial del sistema. La luz LED azul destella la misma cantidad de veces que la cantidad de sondas detectadas. Si no se detecta la cantidad correcta de sondas, desconecte la alimentación del control antes de intentar corregir el problema.

Opcional: Descongelación manual

Para iniciar una descongelación manual, gire el disco selector del temporizador FM en el sentido de las manecillas del reloj por dos ciclos consecutivos de descongelación dentro de 60 segundos.

Opcional: Varios evaporadores

El control DDT40 tiene cuatro entradas de sensor que pueden monitorear hasta cuatro serpentines de evaporador. Por lo general, en un sistema de cuatro evaporadores, el temporizador activa un contactor que energiza simultáneamente las diversas cargas de descongelación. Cuando el control DDT40 detecta una disminución de capacidad en uno o más serpentines, el modo de eficiencia se desactiva y el temporizador de descongelación inicia una descongelación en el próximo intervalo programado.

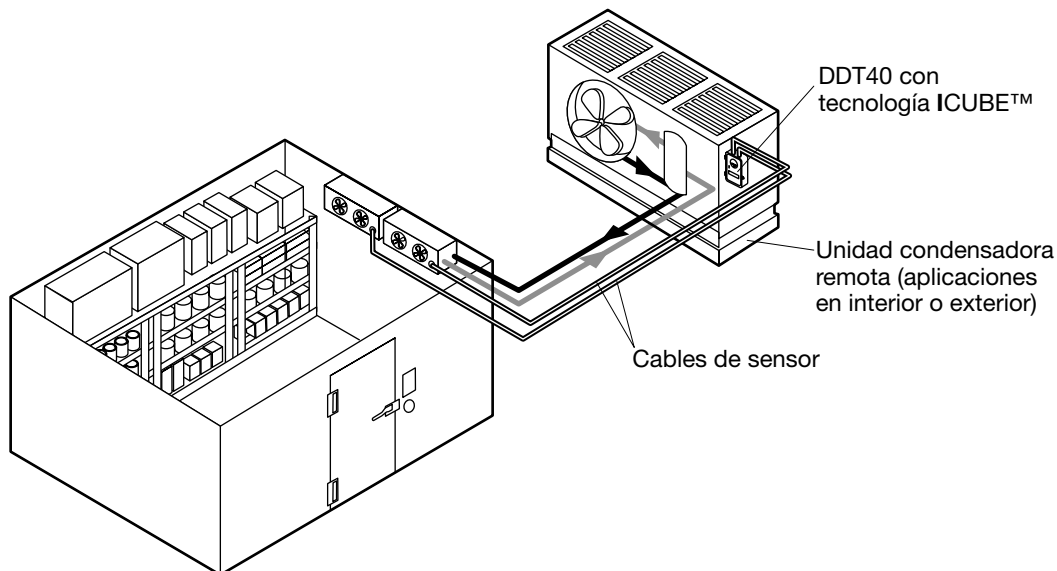


FIG. 14 Sistema del evaporador

Para obtener asistencia adicional, comuníquese con el Servicio técnico al 1.815.675.7000.