

MP953C-F Pneumatic Actuators

SPECIFICATION DATA



FEATURES

- Rolling diaphragm for long life and low hysteresis
- Easily attached to valve
- May be installed after piping valve
- Slide lock feature permits simple engagement to valve stem
- Direct- or reverse-action control
- Models available with positive positioning relay

GENERAL

MP953 Pneumatic Actuators operate V5011 and V5013 Valves to provide proportional control of steam or hot and cold liquids of HVAC systems.



DESCRIPTION

MP953 Pneumatic Actuators operate V5011 and V5013 Valves to provide proportional control of steam or hot and cold liquids of HVAC systems.

SPECIFICATIONS

Models:

√	Model	Action	Positive Positioner	Diaphragm Diameter in Inches (mm)	Effective Area of Diaphragm in Sq. Inches	Stroke in Inches (mm)	Operating Range in psi (kPa)
	MP953C	Direct	No	5 (130)	11	3/4 (19)	2 to 7 (12 to 50) or
8 (203)				33	3/4 (19)	4 to 11 (30 to 75) or	
13 (330)				99	3/4 (19) or 1-1/2 (38)	8 to 12 (55 to 85)	
	MP953D	Reverse	No	7 (180)	21.6	3/4 (19)	4 to 11 (30 to 75) or
	MP953E	Direct	Yes	5 (130)	11	3/4 (19)	3 to 7 (20 to 50) or
8 (203)				33	3/4 (19) or 1-1/2 (38)	4 to 11 (30 to 75) or	
13 (330)				99	3/4 (19) or 1-1/2 (38)	8 to 13 (55 to 90)	
	MP953F	Reverse	Yes	7 (180)	21.6	3/4 (19)	3, 5 or 10
							(20, 35, or 70) ¹
							Same as MP953E

¹Start point is adjustable from 1-1/2 (10) to 13 psi (90 kPa) in 1/4 psi (1-1/2 kPa) increments.

Maximum Actuator Diaphragm Temperature:

MP953C and E: 160F (71C)
MP953D and F: 200F (93C)

Maximum Positive Positioner Diaphragm Temperature:

160F (71C)

Maximum Safe Operating Pressure:

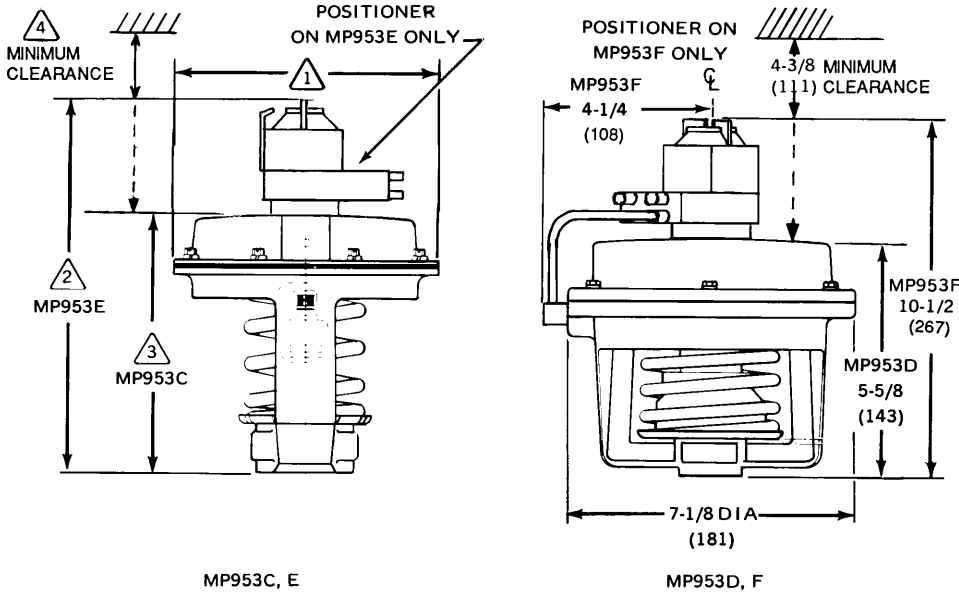
25 psi (172 kPa)

Accessories:

Position Indicator for:

- 5-in. (127 mm) dia: 316028A
- 7-in. (178 mm) dia: 316035A
- 8-in. (203 mm) dia: 316037A
- 13-in. (330 mm) dia, 3/4 in. (19 mm) stroke: 14004722-001
- 13-in. (330 mm) dia, 1-1/2 in. (38 mm) stroke: 316036A
- 14000501-001: Valve Bonnet Extension Kit (separates actuator 2-1/2 in. [64 mm] from valve for high-temperature applications)
- CCT 3858: Corrosion-Resistant Spray

Dimensions in Inches (Millimeters):



OPERATOR SIZE NOMINAL DIA	1	2	3	4
5-INCH	5-1/8 (130)	9-1/4 (235)	4-5/8 (117)	4-3/8 (111)
8-INCH	8-1/4 (210)	11-1/8 (283)	6-1/2 (165)	5-3/8 (137)
13-INCH	13-1/2 (343)	18-1/8 (460)	10 (254)	7-11/16 (195)

S16770-2

Home and Building Control

Honeywell Inc.
Honeywell Plaza
P.O. Box 524
Minneapolis MN 55408-0524

Honeywell Latin American Division

Miami Lakes Headquarters
14505 Commerce Way Suite 500
Miami Lakes FL 33016

Home and Building Control

Honeywell Limited-Honeywell Limitée
740 Ellesmere Road
Scarborough Ontario
M1P 2V9

Honeywell Europe S.A.

3 Avenue du Bourget
B-1140 Brussels Belgium

Honeywell Asia Pacific Inc.

Room 3213-3225
Sun Hung kai Centre
No. 30 Harbour Road
Wanchai
Hong Kong

Honeywell*Helping You Control Your World*