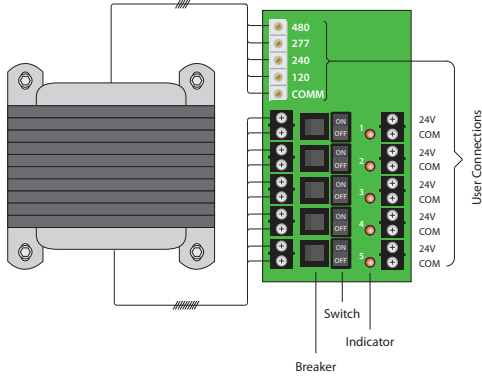


AC POWER SUPPLIES

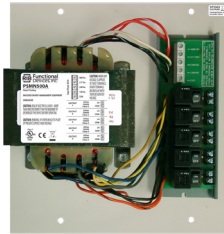
PSH500A

500 VA Power Supply, Five 100 VA Class 2 Outputs, 480/277/240/120 Vac to 24 Vac, Metal Enclosure



PSMN500A

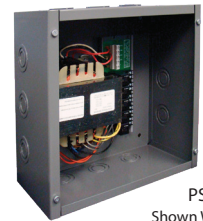
500 VA Power Supply, Five 100 VA Class 2 Outputs, 480/277/240/120 Vac to 24 Vac, Polymetal Subpanel Pre-Mounted



PSMN500A



PSH500A
Shown With Cover



PSH500A
Shown Without Cover



SPECIFICATIONS

- Transformer:** One (1) 500 VA
- Over Current Protection:** Circuit Breaker
- Primary:** 480/277/240/120 Vac
- Frequency:** 50/60 Hz
- Dimensions:** 12.125" H x 12.125" W x 6.000" D (PSH500A)
11.330" H x 11.400" W x 5.000" D (PSMN500A)
- Origin:** Made of US and non-US parts
- Approvals:** Class 2 (UL Approved UL5085-3), UL916, C-UL, CE, RoHS, Special
^ Seismic Certification of Equipment and Components: OSP-0201-10
- Housing:** NEMA1 Metal Enclosure (PSH500A)
- Sub-Panel:** Plenum Rated Polymetal (PSMN500A)
- Notes:**
 - To order UL508, add "-IC" to end of model number.
 - Primary voltage terminal cover available.
 - Design is in accordance with ASCE 7-05 Chapter 13: ^ <https://hcai.ca.gov/wp-content/uploads/2020/10/OSP-0201.pdf>
 - Consult factory for OSP labeling

- 5 Secondaries:** 24 Vac, with LED Indicators
4 Amp breaker for each output
- 24 Vac ON/OFF:** On / Off Switch & Breaker
- Input:** 480/277/240/120 Vac Finger-Safe Terminals, 8-18 AWG
- Output:** 5 Ungrounded, Isolated, 100 VA, Class 2, 24 Vac Outputs. Terminals accept 12-26 AWG wire.
- Ambient Temperature Derating:** 4A up to 40° C ; 3A up to 50° C ; 2A up to 55° C (When All 5 Outputs Operated Simultaneously)
 - With 240 Vac primary input voltage
 - When all 5 outputs operated simultaneously, at room temperature

- Standby Wattage:** 48.515 W @ 120 Vac
48.699 W @ 240 Vac
49.564 W @ 277 Vac
48.255 W @ 480 Vac
- Full Load Primary Current:** 4.66 A @ 120 Vac
2.41 A @ 240 Vac
2.06 A @ 277 Vac
1.17 A @ 480 Vac
- Secondary Output Voltage vs. Load:** 24.0 V @ 1 Amp
23.0 V @ 2 Amp
21.8 V @ 3 Amp
21.1 V @ 4 Amp