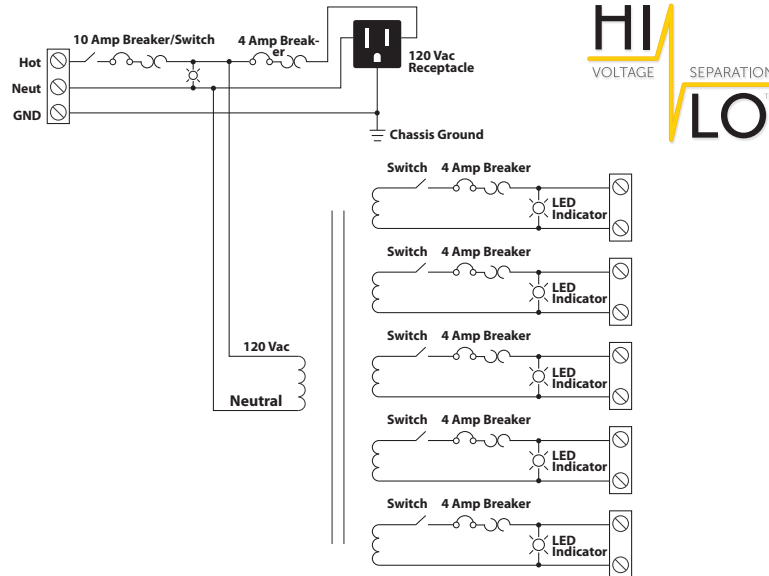


**AC POWER SUPPLY**

**PSH500AB10-LVC**

500 VA Power Supply, Five 100 VA Class 2 Outputs, 120 Vac to 24 Vac, Hi/Lo Voltage Separate Wiring Compartments, Exterior 120 Vac Receptacle and Circuit Breakers Switches, Metal Enclosure



PSH500AB10-LVC  
 Shown With High Voltage  
 Cover & Low Voltage  
 Access Plate



**SPECIFICATIONS**

**Transformer:** One (1) 500 VA  
**Over Current Protection:** Circuit Breaker  
**Primary:** 120 Vac  
**Frequency:** 50/60 Hz  
**Main Breaker ON/OFF:** Switch / Breaker (10 Amp)  
 (Kills power to entire unit:  
 1 Outlet & Transformer)  
**Approvals:** Class 2 (UL Approved UL5085-3),  
 UL916, C-UL, CE, RoHS  
**Dimensions:** 12.125" H x 12.125" W x 6.000" D  
**Origin:** Made of US and non-US parts  
**Housing:** NEMA1 Metal Enclosure with high/low separation  
**Notes:** • Design is in accordance with ASCE 7-05 Chapter 13: <sup>^</sup>  
<https://hcai.ca.gov/wp-content/uploads/2020/10/OSP-0201.pdf>  
 • Consult factory for OSP labeling

**5 Secondaries:**  
 24 Vac, with LED Indicators  
 4 Amp breaker for each output

**24 Vac ON/OFF:**  
 On / Off Switch & Breaker

**Input:**  
 120 Vac **Finger-Safe Terminals**, 8-18 AWG

**Output:**  
 5 Ungrounded, Isolated, 100 VA Class 2,  
 24 Vac Outputs. Removable Terminals  
 accept 16-22 AWG wire.

**Ambient Temperature Derating:**  
 4A up to 40° C ; 3A up to 50° C ; 2A up to 55° C  
 (When All 5 Outputs Operated Simultaneously)

**Standby Wattage:**  
 48.515 W @ 120 Vac

**Full Load Primary Current:**  
 4.66 A @ 120 Vac

**Secondary Output Voltage vs. Load:**  
 24.0 V @ 1 Amp  
 23.0 V @ 2 Amp  
 21.8 V @ 3 Amp  
 21.1 V @ 4 Amp

• When all 5 outputs operated  
 simultaneously, at room  
 temperature