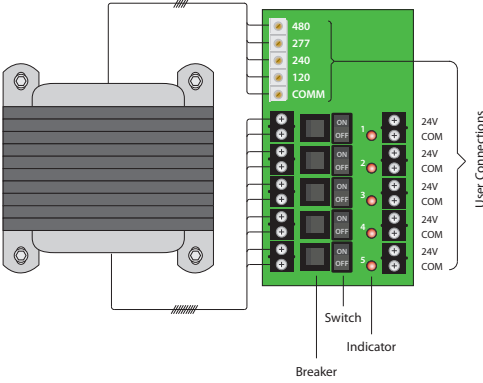


AC POWER SUPPLY

PSH500A-LVC

500 VA Power Supply, Five 100 VA Class 2 Outputs, 480/277/240/120 Vac to 24 Vac, Hi/Lo Voltage Separate Wiring Compartments, Metal Enclosure



PSH500A-LVC
Shown With Full Cover & Access Plate



PSH500A-LVC
Shown Without High Voltage Cover & Low Voltage Access Plate



PSH500A-LVC
Shown Without Low Voltage Access Plate



SPECIFICATIONS

Transformer: One (1) 500 VA
Over Current Protection: Circuit Breaker
Primary: 480/277/240/120 Vac
Frequency: 50/60 Hz
Dimensions: 12.125" H x 12.125" W x 6.000" D
Origin: Made of US and non-US parts
Approvals: Class 2 (UL Approved UL5085-3), UL916, C-UL, CE, RoHS
Notes:
 • Design is in accordance with ASCE 7-05 Chapter 13: [^](https://hcai.ca.gov/wp-content/uploads/2020/10/OSP-0201.pdf) <https://hcai.ca.gov/wp-content/uploads/2020/10/OSP-0201.pdf>
 • Consult factory for OSP labeling

5 Secondaries:
 24 Vac, with LED Indicators
 4 Amp breaker for each output

24 Vac ON/OFF:
 On / Off Switch & Breaker

Input:
 480/277/240/120 Vac Finger-Safe Terminals,
 8-18 AWG

Output:
 5 Ungrounded, Isolated, 100 VA Class 2, 24 Vac
 Outputs. Removable Terminals accept 16-22 AWG wire.

Ambient Temperature Derating:
 4A up to 40° C ; 3A up to 50° C ; 2A up to 55° C
 (When All 5 Outputs Operated Simultaneously)

- With 240 Vac primary input voltage
- When all 5 outputs operated simultaneously, at room temperature

Standby Wattage:
 48.515 W @ 120 Vac
 48.699 W @ 240 Vac
 49.564 W @ 277 Vac
 48.255 W @ 480 Vac

Full Load Primary Current:
 4.66 A @ 120 Vac
 2.41 A @ 240 Vac
 2.06 A @ 277 Vac
 1.17 A @ 480 Vac

Secondary Output Voltage vs. Load:
 24.0 V @ 1 Amp
 23.0 V @ 2 Amp
 21.8 V @ 3 Amp
 21.1 V @ 4 Amp