

VCL-45ULS SERIES

APPLICATIONS

- Designed for automatic collection and removal of condensate from air conditioning, refrigeration and dehumidification equipment when gravity drainage is not possible or practical. Also, suitable for high efficiency oil and gas-fired condensing furnace and condensing boiler equipment.

FEATURES

- 1 gallon collection tank
- Vertical centrifugal pump design
- 1/5 hp, fan cooled, PSC motor
- Stainless steel motor shaft
- Automatic start and stop operation
- Includes float (solid polymer) activated switch for automatic high-level water detection (overflow detection switch)
- Overflow detection switch: dual function NO and NC operation (set to NO from factory for equipment shut down connection)
- Overflow detection switch includes two 5" switch lead wires
- 3/8" O.D. copper tubing discharge
- *Optional check valve adapter for 3/8" O.D. copper tubing/3/8" I.D. vinyl tubing sold separately (Part Number 599064)
- 1-1/8" diameter inlet opening
- Thermally protected motor
- Maximum water temperature: 120 °F
- 6 ft, 3-conductor cable with grounded 3-prong plug



SERIES SPECIFICATIONS

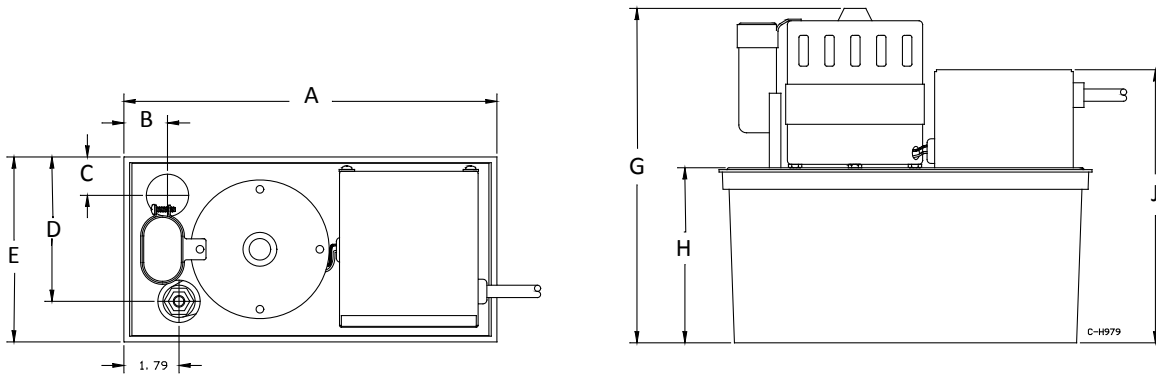
Item No.	Model	HP	Volts	Hz	Amps	Watts	Discharge	Gallons per hour (Liters per hour) @ Height					Shut-Off	PSI	Cord	Weight lbs (kg)
								1'	3'	5'	9'	15'				
553240	VCL-45ULS	1/5	115	60	3.5	185	3/8" (9.5 mm) OD Copper	450 (1705.5)	445 (1686.6)	440 (1667.6)	415 (1572.9)	380 (1440.2)	45' (13.7 m)	19.5	6' (1.8 m)	13 (5.9 Kg)
553245	VCL-45ULS	1/5	230	50/60	1.0	250	3/8" (9.5 mm) OD Copper	450 (1705.5)	445 (1686.6)	440 (1667.6)	415 (1572.9)	380 (1440.2)	45' (13.7 m)	19.5	6' (1.8 m)	14 (6.4 Kg)

VCL-45ULS SERIES

REPLACEMENT PARTS & KITS

Item	Part Number
Tank	153502
Cover, Switch Assy.	153537
Seal Ring	928025
Impeller	153520
Switch, Pump	950337
Overflow Detection Switch	950333

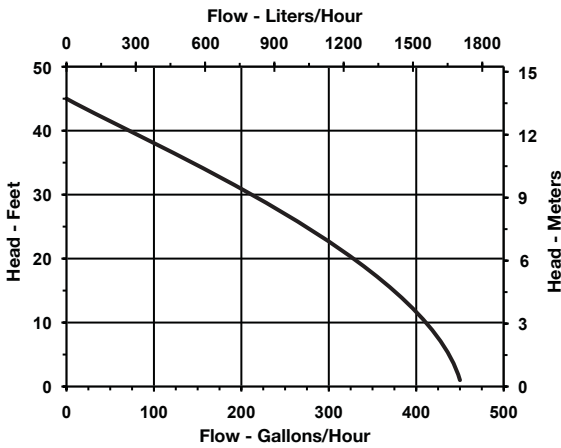
ENGINEERING DATA



A	B	C	D	E	F	G	H	J
12.11" (307.59 mm)	1.42" (36.07 mm)	1.24" (31.50 mm)	4.68" (118.87 mm)	6" (152.4 mm)	1.79" (45.47 mm)	10.85" (275.59 mm)	5.68" (144.27 mm)	8.86" (225.04 mm)

PERFORMANCE DATA

115 V AND 230 V, 60 HZ



CONSTRUCTION

Pump Housing	ABS
Switch Housing	ABS
Tank	ABS
Tank Cover	Galvanized Steel
Motor Shaft	Stainless Steel
Impeller	Polypropylene
Discharge	3/8" copper tube