

36H SERIES HSI / DSI / INTERMITTENT / PROVEN PILOT

Universal electronic ignition gas valves. Our highest capacity multi-function combination control covering a wide range of gas heating applications.



36H32-423

FEATURES

- Pilot port plugged for Hot Surface and Direct Spark Ignition systems, remove plug for Intermittent / Proven Pilot systems
- Fast open, slow open, single and two stage models
- Electric on-off switch and convenient quick connect coil terminals
- Tamper resistant screws and controlled gasket compression to withstand high inlet pressures
- Mounting position upright, or 0° to 90° from upright in any direction

SPECIFICATIONS

Operating Voltage..... 24 VAC 50/60 Hz
 Electrical Rating - Single Stage..... 0.41 amps
 Electrical Rating - Two Stage..... 0.54 amps
 Ambient Operating Range..... -40 to 175°F (-40 to 79°C)
 Maximum Pressure Rating..... 1/2" PSI (14.0" WC)
 CSA/CUS Certificate Number..... 1636373

PIPE SIZE	1" PRESSURE DROP CAPACITY NATURAL GAS .64 SP. GR. (1000 BTU/FT ³)	1" PRESSURE DROP CAPACITY LP GAS 1.53 SP. GR. (2500 BTU/FT ³)	RANGE OF REGULATION NATURAL GAS.64 SP. GR. (1000 BTU/FT ³)	RANGE OF REGULATION LP GAS1.53 SP. GR. (2500 BTU/FT ³)
3/4" x 3/4"	300,000	486,000	50,000-400,000	81,000-648,000
1/2" x 3/4"	230,000	372,600	50,000-300,000	80,000-500,000
1/2" x 1/2"	170,000	275,500	40,000-240,000	40,000-400,000

36H SERIES HSI / DSI / INTERMITTENT / PROVEN PILOT

VOLTAGE	STAGES / OPENING	PIPE SIZE	REGULATOR SETTING	NATURAL GAS ADJ. RANGE (WC)	LP GAS ADJ. RANGE (WC)	LP KIT INCLUDED	REDUCER BUSHING KIT	FLOW DIRECTION	SIDE TAPS	INLET / OUTLET PRESSURE TAP*	HSI / DSI INTERMITTENT / PROVEN PILOT	INTERNAL WIRING SEE FIGURE	MODEL NUMBER	ITEM NUMBER
24 VAC 50/60Hz	1 - Stage Fast Open	1/2" X 1/2"	3.5"	2.5"-5.0"	5.0"-12.0"	Yes	No	Str. Thru	No	Yes / Yes	Yes	1	36H32-214	36H32-214
24 VAC 50/60Hz	1 - Stage Fast Open	1/2" X 3/4"	3.5"	2.5"-5.0"	5.0"-12.0"	Yes	Yes	Str. Thru	No	Yes / Yes	Yes	1	36H32-304	36H32-304
24 VAC 50/60Hz	1 - Stage Fast Open	3/4" X 3/4"	3.5"	2.5"-5.0"	5.0"-12.0"	Yes	Yes	Str. Thru	No	Yes / Yes	Yes	1	36H32-423	36H32-423
24 VAC 50/60Hz	1 - Stage Slow Open	3/4" X 3/4"	3.5"	2.5"-5.0"	5.0"-12.0"	Yes	Yes	Str. Thru	No	Yes / Yes	Yes	1	36H33-412	36H33-412
24 VAC 50/60Hz	2 - Stage Fast Open	3/4" X 3/4"	1.1" Low 3.5" High	1.0"-3.5" Low 2.5"-5.0" High	4.0"-9.5" Low 8.0"-12.0" High	Yes	Yes	Str. Thru	No	Yes / Yes	Yes	1	36H64-463	36H64-463
24 VAC 50/60Hz	2 - Stage Slow Open	3/4" X 3/4"	1.1" Low 3.5" High	1.0"-3.5" Low 2.5"-5.0" High	4.0"-9.5" Low 8.0"-12.0" High	Yes	Yes	Str. Thru	No	Yes / Yes	Yes	1	36H65-401	36H65-401

* To measure outlet pressure on valves, loosen outlet pressure tap screw one quarter turn and put manometer hose over the top of the outlet pressure tap. See White-Rodgers General Information for capacities of other gases.

NOTE: Not for Standing Pilot.

PARTS AND ACCESSORIES





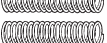
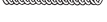
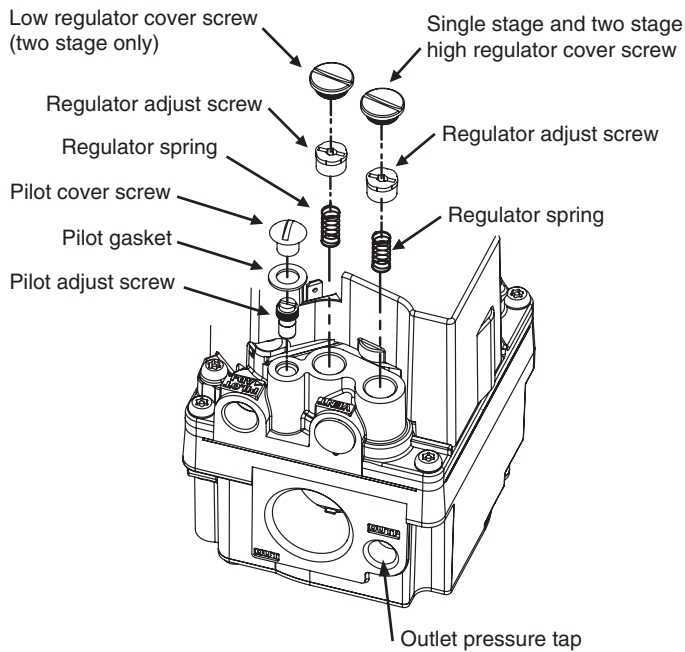
IMAGE	DESCRIPTION	MODEL NUMBER	ITEM NUMBER
	LP to Natural Gas Conversion Kit for Use On Single Stage 36C, D, E, F, G, H, J Valves, Regulation Range 2.5" to 5.0"W.C.	F92-0656	F0092 065600S1
	Natural to Regulated LP Gas Conversion Kit for Use On Single Stage 36C, D, E, F, G, H, J Valves. Regulation Range 7.0" to 12.0"W.C.	F92-0659	F0092 065900S1

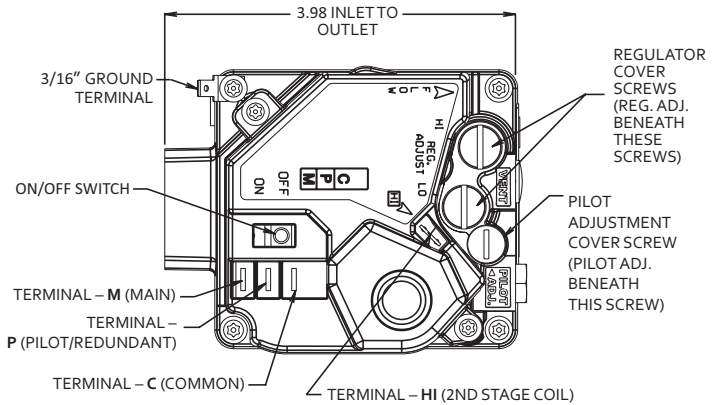
IMAGE	DESCRIPTION	MODEL NUMBER	ITEM NUMBER
 	Natural to Regulated LP Gas Conversion Kit for Use On Two Stage 36G, H, J, Valves, Regulation Range 4.0" to 10.0"W.C. Low Fire, 6.0" to 12.0"W.C. High Fire	F92-1008	F0092 100800
 	Regulated LP to Natural Gas Conversion Kit for Use On Two Stage 36G, H, J, Valves, Regulation Range 1.0" to 4.0"W.C. Low Fire, 2.0" to 5.0" W.C. High Fire	F92-1011	F0092 101100

36H WIRING INFORMATION

SIMPLIFIED GAS VALVE INTERNAL WIRING AND TERMINAL IDENTIFICATION



SINGLE AND TWO STAGE



FEATURES AND TERMINAL IDENTIFICATION

