

Optional Equipment Listing

OPTIONAL EQUIPMENT FOR 4DCZ6 PACKAGED UNITS (check mark [✓] indicates accessories included)

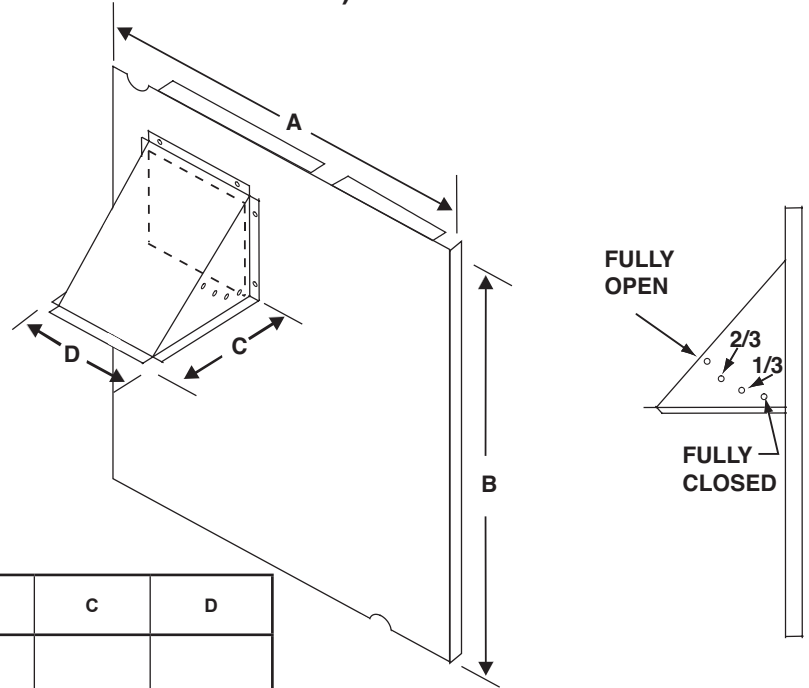
Hinged Filter Access Door (DCZ6036) ⑧	BAYACCDOR1A[]
Hinged Filter Access Door (DCZ6048-060) ⑧	BAYACCDOR2A[]
Roof Curb Full Perimeter (4DCZ6036) ③	BAYCURB050A[]
Roof Curb Full Perimeter (4DCZ6048-060) ③	BAYCURB051A[]
Roof Curb Utility Extension Kit (BAYCURB050A)	BAYUTIL101B[]
Roof Curb Utility Extension Kit (BAYCURB051A)	BAYUTIL102B[]
Outside Air Control for V.S. Economizer (4DCZ6036-060) ⑨	BAYOSAC001B[]
0-25% Motorized Outside Air Damper (4DCZ6036)	BAYDMPR101A[]
0-25% Motorized Outside Air Damper (4DCZ6048-060)	BAYDMPR102A[]
0-25% Manual Fresh Air Damper (4DCZ6036) ①	BAYOSAH001A[]
0-25% Manual Fresh Air Damper (4DCZ6048-060) ①	BAYOSAH002A[]
16" Round Duct Adapter (2 per box) (4DCZ6036) ⑥	BAYSQRD001A[]
18" Round Duct Adapter (2 per box) (4DCZ6036-060) ⑥	BAYSQRD002A[]
0-100% Mod Economizer w/Baro. Relief (4DCZ6036) ①②④	BAYECON013A[]
0-100% Mod. Economizer w/Baro. Relief (4DCZ6048-060) ①②④	BAYECON104A[]
0-100% Horizontal Economizer (4DCZ6036) ①②	BAYECON203A[]
0-100% Horizontal Economizer (4DCZ6048-060) ①②	BAYECON204A[]
Economizer Relay Kit (required for Heat Pump applications)	BAYRLAY006A[]
Enthalpy Control for Economizer (solid state)	BAYENTH001A[]
Remote Potentiometer (All-BAYECON***A)	BAYSTAT023[]
1"-2" Filter Frame (4DCZ6036) (20 x 25 filter not included) ①	BAYFLTR101B[]
1"-2" Filter Frame (4DCZ6048-060) (20 x 20,20X18 filter not included) ①	BAYFLTR201B[]
Evaporator Defrost Control (Low Ambient Cooling) Kit ⑤	BAYLOAM011A[]
Head Pressure Control (Low Ambient Cool) (208/240v) Kit ⑤	BAYLOAM105A[]
Crankcase Heater Scroll(4DCZ6048, 60)(230v) ⑤	BAYCCHT102A[]
Crankcase Heater Scroll (4DCZ6036)(230v) ⑤	BAYCCHT103A[]
Crankcase Heater Scroll (4DCZ6048, 60)(460v)	BAYCCHT404B[]
Crankcase Heater Scroll (4DCZ6036)(460v)	BAYCCHT405A[]
Adapter Curb 4DCZ6036 to BAYCURB030,38	BAYADAP050A[]
Adapter Curb 4DCZ6036 to BAYCURB033	BAYADAP051A[]
Adapter Curb 4DCZ6048-60A to BAYCURB030,38	BAYADAP052A[]
Adapter Curb 4DCZ6048-60A to BAYCURB033	BAYADAP053A[]
Adapter Curb 4DCZ6048-60A to BAYCURB034	BAYADAP054A[]
12" Duct Shroud Covers Horizontal 4DCZ6036-060 ⑦	BAYCOVR112A[]
18" Duct Shroud Covers Horizontal 4DCZ6036-060 ⑦	BAYCOVR118A[]
Extreme Condition Mounting Kit - All BAYCURB & BAYADAP	BAYEXMK001A[]
Extreme Condition Mounting Kit - All BAYUTIL	BAYEXMK002A[]
Extreme Condition Mounting Kit - All Slab Mounts	BAYEXMK003A[]
Lifting Lug Kit (All Models)	BAYLIFT002B[]
LP Conversion Kit (All 40K, 120K Models)	BAYLPKT100A[]
LP Conversion Kit (All 64K, 96K Models)	BAYLPKT101A[]
LP Conversion Kit (All 75K Models)	BAYLPKT102A[]

- NOTES:
- ① Must use internal filter frame when economizer or fresh air kit is used.
 - ② Dry bulb control standard with economizer.
 - ③ Ships knocked down.
 - ④ Downflow only.
 - ⑤ Low Ambient cooling requires crankcase heater (BAYCCHT----A).
 - ⑥ It is the responsibility of the installing dealer to properly size the ductwork for each specific application.
 - ⑦ BAYCOVR112,118A will not cover BAYSQRD002A applications.
 - ⑧ BAYACCDOR1A requires BAYFLTR101B & BAYACCDOR2A requires BAYFLTR201B. They are not backward compatible to BAYFLTR101/201A.
 - ⑨ BAYOSAC001B is not compatible with BAYACCDOR1A or BAYACCDOR2A.

Optional Equipment

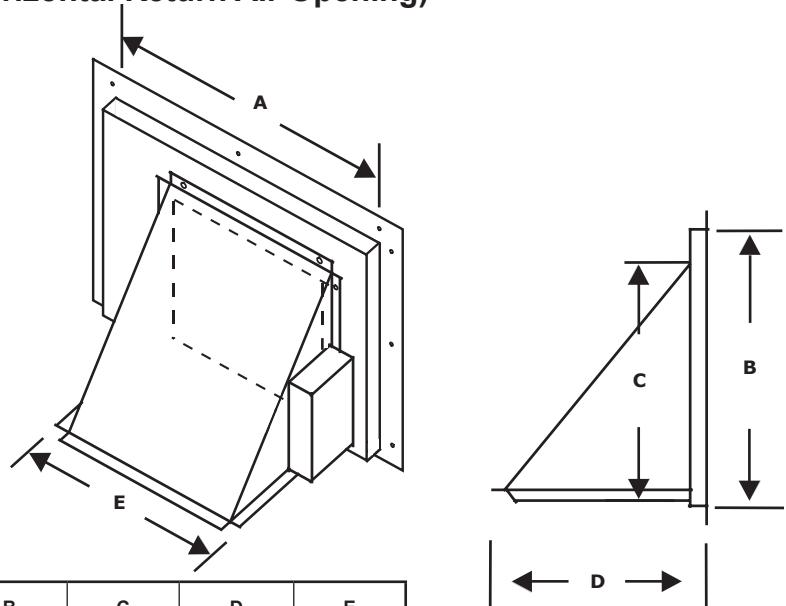
BAYOSAH001,002A, 25% Outside Air Damper (Replaces Filter/Coil Access Panel)

The drawings on this page are prepared by the manufacturer in order to provide detail regarding job layout only. These drawings are not intended to be used as a basis to construct, build or modify the items depicted in the drawings. The manufacturer is not responsible for the unauthorized use of these drawings and expressly disclaims any liability for damages resulting from such unauthorized use.



Manual Fresh Air Model	Unit Application Models	A	B	C	D
BAYOSAH001	4YC,WC3018-036	22 7/16"	20 11/16"	12 3/8"	9 3/16"
	4TC*3018-036				
	4W/T/Y/DCY4024-036				
	4W/Y/DCZ6036				
BAYOSAH002	4YC,WC3042-060	25 3/16"	20 11/16"	12 3/8"	9 3/16"
	4TC*3042-060				
	4W/T/Y/DCY4042-060				
	4W/Y/DCZ6048-060				

BAYDMPR101,102A, 25% Motorized Outside Air Damper (Mounts Over Horizontal Return Air Opening)



	Unit Application Models	A	B	C	D	E
BAYDMPR101A	4YC,WC3018-036	15 13/16"	11 13/16"	10 1/4"	11 1/2"	12 1/4"
	4TC3018-036					
	4W/T/Y/DCY4024-036					
	4W/Y/DCZ6036					
BAYDMPR102A	4YC,WC3042-060	18 3/16"	15 1/8"	10 1/4"	11 1/2"	12 1/4"
	4TC3042-060					
	4W/T/Y/DCY4042-060					
	4W/Y/DCZ6048-060					