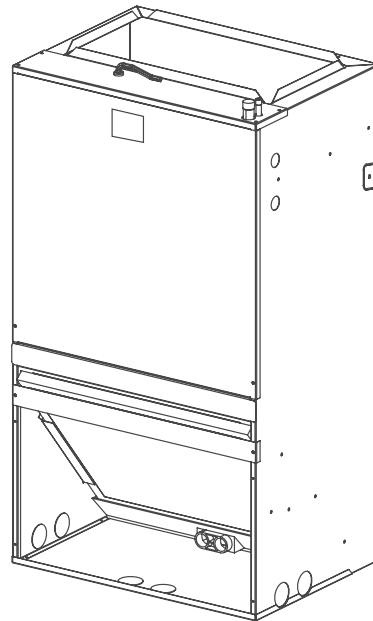




# Product Data

## Wall-Mount Air Handlers 1-1/2 – 3 Ton Cooling

TMM4B0A18S21SA  
TMM4B0A24S21SA  
TMM4B0B30S21SA  
TMM4B0B36S31SA



**Note:** "Graphics in this document are for representation only.  
Actual model may differ in appearance."



**TRANE®**

# Features and Accessories

---

## STANDARD FEATURES

- Front or bottom return air
- Painted finish on galvanized steel
- Sturdy polycarbonate drain pans
  - The TMM4 wall mount air handler has factory installed drain pans and is shipped for upflow applications only.
- 208/230 VAC operation
- Multi-speed direct drive blower
  - PSC motor
- Optional R-410A thermal expansion valve
- Stud or wall mounting tabs
- Fully insulated cabinet
- 3/4" NPT primary and secondary drains
- **3 year warranty**
- **10-year warranty registered**
- **Optional extended warranty available**

## OPTIONAL ACCESSORIES

- 5, 7.5, and 10 kW single phase electric heaters
  - Circuit breakers are standard on all single phase 5, 7.5, and 10 kW heaters.



# Contents

---

|                                 |           |
|---------------------------------|-----------|
| <b>Features and Accessories</b> | <b>2</b>  |
| <b>Performance Data</b>         | <b>4</b>  |
| <b>Electrical Data</b>          | <b>7</b>  |
| <b>Dimensions</b>               | <b>9</b>  |
| <b>Field Wiring</b>             | <b>10</b> |



**TRANE®**

# Performance Data

## Heater Pressure Drop Table – Use for all TMM4 air handler models

| MODEL         | AIRFLOW<br>CFM | NUMBER OF RACKS                 |      |      |
|---------------|----------------|---------------------------------|------|------|
|               |                | 1                               | 2    | 3    |
|               |                | AIR PRESSURE DROP - INCHES W.G. |      |      |
| TMM4B0B30, 36 | 1400           | 0.06                            | 0.08 | 0.08 |
|               | 1300           | 0.06                            | 0.08 | 0.08 |
|               | 1200           | 0.06                            | 0.08 | 0.08 |
|               | 1100           | 0.06                            | 0.08 | 0.08 |
|               | 1000           | 0.06                            | 0.08 | 0.08 |
|               | 900            | 0.04                            | 0.06 | 0.06 |
|               | 800            | 0.04                            | 0.06 | 0.06 |
| TMM5B0A18, 24 | 700            | 0.04                            | 0.06 | 0.06 |
|               | 900            | 0.04                            | 0.06 | 0.06 |
|               | 800            | 0.04                            | 0.06 | 0.06 |
|               | 700            | 0.04                            | 0.06 | 0.06 |
|               | 600            | 0.04                            | 0.06 | 0.06 |
|               | 500            | 0.04                            | 0.06 | 0.06 |

### Accessory Heater Usage

| NUMBER OF RACKS | SIZES USED WITH | kW  | INTERNAL CIRCUIT PROTECTION |
|-----------------|-----------------|-----|-----------------------------|
| 1               | 18-36           | 5   | Circuit Breaker             |
| 2               | 18-36           | 7.5 | Circuit Breaker             |
| 3               | 18-36           | 10  | Circuit Breaker             |

### HEATER RACKS

| HEATER MODEL   | NO. OF RACKS |
|----------------|--------------|
| BAYHTRM505BRKA | 1            |
| BAYHTRM505BRKA | 2            |
| BAYHTRM505BRKA | 3            |

### Minimum CFM

| MODEL          | NUMBER OF RACKS |     |     |
|----------------|-----------------|-----|-----|
|                | 1               | 2   | 3   |
| TMM4B0A18M21SA | 450             | 500 | 600 |
| TMM4B0A24M21SA | 450             | 500 | 600 |
| TMM4B0B30M21SA | 700             | 725 | 750 |
| TMM4B0B36M31SA | 700             | 725 | 750 |



# Performance Data

## AIR FLOW PERFORMANCE (Standard CFM)

| MODEL NUMBER   | MOTOR SPEEDS |       | EXTERNAL STATIC PRESSURE (INWC.) |      |      |      |      |      |      |      |      |      |
|----------------|--------------|-------|----------------------------------|------|------|------|------|------|------|------|------|------|
|                |              |       | 0                                | 0.1  | 0.16 | 0.2  | 0.3  | 0.4  | 0.5  | 0.6  | 0.7  | 0.8  |
| TMM4B0A18S21SA | Low          | CFM   | 590                              | 556  | 526  | 520  | 481  | 437  | 387  | -    | -    | -    |
|                |              | RPM   | 598                              | 645  | 686  | 696  | 745  | 790  | 836  | -    | -    | -    |
|                |              | Watts | 168                              | 165  | 161  | 161  | 156  | 150  | 145  | -    | -    | -    |
|                |              | Amps  | 0.75                             | 0.73 | 0.72 | 0.72 | 0.7  | 0.68 | 0.66 | -    | -    | -    |
|                | Middle       | CFM   | 686                              | 650  | 621  | 615  | 578  | 536  | 486  | -    | -    | -    |
|                |              | RPM   | 685                              | 719  | 749  | 759  | 799  | 837  | 873  | -    | -    | -    |
|                |              | Watts | 184                              | 178  | 174  | 174  | 170  | 164  | 158  | -    | -    | -    |
|                |              | Amps  | 0.81                             | 0.78 | 0.77 | 0.77 | 0.75 | 0.73 | 0.71 | -    | -    | -    |
|                | High         | CFM   | 796                              | 760  | 733  | 725  | 685  | 644  | 596  | 541  | 477  | 400  |
|                |              | RPM   | 778                              | 805  | 827  | 836  | 867  | 906  | 929  | 956  | 984  | 1011 |
|                |              | Watts | 236                              | 232  | 227  | 227  | 220  | 213  | 205  | 196  | 188  | 179  |
|                |              | Amps  | 1.04                             | 1.02 | 1.01 | 1.00 | 0.98 | 0.95 | 0.92 | 0.89 | 0.86 | 0.83 |
| TMM4B0A24S21SA | Low          | CFM   | 696                              | 662  | 632  | 624  | 583  | 537  | 485  | -    | -    | -    |
|                |              | RPM   | 700                              | 741  | 767  | 774  | 808  | 843  | 882  | -    | -    | -    |
|                |              | Watts | 198                              | 193  | 190  | 188  | 183  | 178  | 170  | -    | -    | -    |
|                |              | Amps  | 0.89                             | 0.88 | 0.86 | 0.86 | 0.84 | 0.82 | 0.8  | -    | -    | -    |
|                | Middle       | CFM   | 850                              | 814  | 775  | 766  | 720  | 672  | 617  | -    | -    | -    |
|                |              | RPM   | 837                              | 861  | 878  | 885  | 903  | 923  | 945  | -    | -    | -    |
|                |              | Watts | 236                              | 231  | 227  | 226  | 221  | 217  | 211  | -    | -    | -    |
|                |              | Amps  | 1.03                             | 1.01 | 1.00 | 0.99 | 0.98 | 0.96 | 0.94 | -    | -    | -    |
|                | High         | CFM   | 938                              | 894  | 860  | 859  | 813  | 764  | 710  | 674  | 573  | 465  |
|                |              | RPM   | 921                              | 937  | 950  | 953  | 967  | 980  | 994  | 1010 | 969  | 1051 |
|                |              | Watts | 300                              | 295  | 289  | 283  | 283  | 277  | 271  | 263  | 254  | 242  |
|                |              | Amps  | 1.33                             | 1.31 | 1.29 | 1.26 | 1.26 | 1.24 | 1.22 | 1.19 | 1.16 | 1.12 |
| TMM4B0B30S21SA | Low          | CFM   | 997                              | 948  | 903  | 891  | 861  | 809  | 760  | -    | -    | -    |
|                |              | RPM   | 755                              | 789  | 817  | 828  | 846  | 870  | 903  | -    | -    | -    |
|                |              | Watts | 305                              | 295  | 287  | 283  | 278  | 271  | 263  | -    | -    | -    |
|                |              | Amps  | 1.53                             | 1.51 | 1.49 | 1.48 | 1.47 | 1.46 | 1.44 | -    | -    | -    |
|                | Middle       | CFM   | 1187                             | 1125 | 1076 | 1055 | 1021 | 974  | 912  | -    | -    | -    |
|                |              | RPM   | 875                              | 899  | 916  | 924  | 935  | 952  | 967  | -    | -    | -    |
|                |              | Watts | 339                              | 331  | 324  | 321  | 317  | 309  | 302  | -    | -    | -    |
|                |              | Amps  | 1.67                             | 1.66 | 1.64 | 1.63 | 1.62 | 1.61 | 1.59 | -    | -    | -    |
|                | High         | CFM   | 1306                             | 1249 | 1195 | 1166 | 1132 | 1069 | 1008 | 937  | 860  | 759  |
|                |              | RPM   | 965                              | 968  | 982  | 987  | 994  | 1007 | 1015 | 1027 | 1041 | 1054 |
|                |              | Watts | 427                              | 417  | 409  | 406  | 400  | 391  | 384  | 375  | 363  | 351  |
|                |              | Amps  | 2.20                             | 2.18 | 2.16 | 2.15 | 2.15 | 2.13 | 2.11 | 2.09 | 2.07 | 2.05 |

Shaded boxes represent airflow outside the required 300-450 cfm/ton.

**NOTES:**

1. Airflow based upon dry coil at 230V with no electric heat, no filter.
2. Airflow is equivalent for front or bottom return configurations.
3. SCFM is nearly the same with cooling performance airflow, the gap is in the 1 to 2%.



# Performance Data

**AIR FLOW PERFORMANCE (Standard CFM) (Continued)**

| MODEL NUMBER   | MOTOR SPEEDS |       | EXTERNAL STATIC PRESSURE (INWC.) |      |      |      |      |      |      |      |      |      |
|----------------|--------------|-------|----------------------------------|------|------|------|------|------|------|------|------|------|
|                |              |       | 0                                | 0.1  | 0.16 | 0.2  | 0.3  | 0.4  | 0.5  | 0.6  | 0.7  | 0.8  |
| TMM4B0B36S31SA | Low          | CFM   | 1106                             | 1056 | 1007 | 990  | 960  | 918  | 857  | -    | -    | -    |
|                |              | RPM   | 818                              | 843  | 868  | 878  | 893  | 916  | 941  | -    | -    | -    |
|                |              | Watts | 371                              | 361  | 349  | 346  | 338  | 328  | 316  | -    | -    | -    |
|                |              | Amps  | 1.62                             | 1.58 | 1.53 | 1.52 | 1.49 | 1.44 | 1.40 | -    | -    | -    |
|                | Middle       | CFM   | 1269                             | 1213 | 1153 | 1131 | 1097 | 1069 | 973  | -    | -    | -    |
|                |              | RPM   | 920                              | 933  | 947  | 956  | 965  | 982  | 997  | -    | -    | -    |
|                |              | Watts | 410                              | 401  | 391  | 385  | 380  | 368  | 357  | -    | -    | -    |
|                |              | Amps  | 1.79                             | 1.74 | 1.70 | 1.67 | 1.65 | 1.60 | 1.55 | -    | -    | -    |
|                | High         | CFM   | 1375                             | 1320 | 1267 | 1248 | 1204 | 1142 | 1082 | 1011 | 919  | 801  |
|                |              | RPM   | 986                              | 996  | 1007 | 1011 | 1018 | 1030 | 1040 | 1051 | 1063 | 1079 |
|                |              | Watts | 461                              | 450  | 440  | 436  | 427  | 416  | 402  | 388  | 376  | 358  |
|                |              | Amps  | 2.01                             | 1.96 | 1.92 | 1.90 | 1.87 | 1.91 | 1.76 | 1.70 | 1.65 | 1.57 |

Shaded boxes represent airflow outside the required 300-450 cfm/ton.

**NOTES:**

1. Airflow based upon dry coil at 230V with no electric heat, no filter.
2. Airflow is equivalent for front or bottom return configurations.
3. SCFM is nearly the same with cooling performance airflow, the gap is in the 1 to 2%.



# Electrical Data

## TMM4 AIR HANDLER AND HEATER ELECTRICAL DATA

| TMM4B0A18S21SA – ELECTRICAL DATA |                            |          |       |                               |                                |                                   |          |       |                               |                                |                                   |
|----------------------------------|----------------------------|----------|-------|-------------------------------|--------------------------------|-----------------------------------|----------|-------|-------------------------------|--------------------------------|-----------------------------------|
| Heater Model No                  | No. of Circuits/<br>Phases | 240 Volt |       |                               |                                |                                   | 208 Volt |       |                               |                                |                                   |
|                                  |                            | Capacity |       | Heater<br>Amps per<br>Circuit | Minimum<br>Circuit<br>Ampacity | Maximum<br>Overload<br>Protection | Capacity |       | Heater<br>Amps per<br>Circuit | Minimum<br>Circuit<br>Ampacity | Maximum<br>Overload<br>Protection |
|                                  |                            | kW       | BTUH  |                               |                                |                                   | kW       | BTUH  |                               |                                |                                   |
| No Heater                        |                            |          |       |                               | 1.0                            | 15                                |          |       |                               | 1.0                            | 15                                |
| BAYHTRM505BRKA                   | 1/1                        | 5        | 17100 | 20.8                          | 27.1                           | 30                                | 3.8      | 12800 | 18.0                          | 23.6                           | 25                                |
| BAYHTRM508BRKA                   | 1/1                        | 7.5      | 25600 | 31.2                          | 40.1                           | 45                                | 5.6      | 19200 | 27.1                          | 34.9                           | 40                                |
| BAYHTRM510BRKA                   | 1/1                        | 10       | 34100 | 41.7                          | 53.1                           | 60                                | 7.5      | 25600 | 36.1                          | 46.2                           | 50                                |

| TMM4B0A24S21SA – ELECTRICAL DATA |                            |          |       |                               |                                |                                   |          |       |                               |                                |                                   |
|----------------------------------|----------------------------|----------|-------|-------------------------------|--------------------------------|-----------------------------------|----------|-------|-------------------------------|--------------------------------|-----------------------------------|
| Heater Model No                  | No. of Circuits/<br>Phases | 240 Volt |       |                               |                                |                                   | 208 Volt |       |                               |                                |                                   |
|                                  |                            | Capacity |       | Heater<br>Amps per<br>Circuit | Minimum<br>Circuit<br>Ampacity | Maximum<br>Overload<br>Protection | Capacity |       | Heater<br>Amps per<br>Circuit | Minimum<br>Circuit<br>Ampacity | Maximum<br>Overload<br>Protection |
|                                  |                            | kW       | BTUH  |                               |                                |                                   | kW       | BTUH  |                               |                                |                                   |
| No Heater                        |                            |          |       |                               | 1.3                            | 15                                |          |       |                               | 1.3                            | 15                                |
| BAYHTRM505BRKA                   | 1/1                        | 5        | 17100 | 20.8                          | 27.3                           | 30                                | 3.8      | 12800 | 18.0                          | 23.9                           | 25                                |
| BAYHTRM508BRKA                   | 1/1                        | 7.5      | 25600 | 31.2                          | 40.4                           | 45                                | 5.6      | 19200 | 27.1                          | 35.2                           | 40                                |
| BAYHTRM510BRKA                   | 1/1                        | 10       | 34100 | 41.7                          | 53.4                           | 60                                | 7.5      | 25600 | 36.1                          | 46.4                           | 50                                |

| TMM4B0B30S21SA – ELECTRICAL DATA |                            |          |       |                               |                                |                                   |          |       |                               |                                |                                   |
|----------------------------------|----------------------------|----------|-------|-------------------------------|--------------------------------|-----------------------------------|----------|-------|-------------------------------|--------------------------------|-----------------------------------|
| Heater Model No                  | No. of Circuits/<br>Phases | 240 Volt |       |                               |                                |                                   | 208 Volt |       |                               |                                |                                   |
|                                  |                            | Capacity |       | Heater<br>Amps per<br>Circuit | Minimum<br>Circuit<br>Ampacity | Maximum<br>Overload<br>Protection | Capacity |       | Heater<br>Amps per<br>Circuit | Minimum<br>Circuit<br>Ampacity | Maximum<br>Overload<br>Protection |
|                                  |                            | kW       | BTUH  |                               |                                |                                   | kW       | BTUH  |                               |                                |                                   |
| No Heater                        |                            |          |       |                               | 1.6                            | 15                                |          |       |                               | 1.6                            | 15                                |
| BAYHTRM505BRKA                   | 1/1                        | 5        | 17100 | 20.8                          | 27.7                           | 30                                | 3.8      | 12800 | 18.0                          | 24.2                           | 25                                |
| BAYHTRM508BRKA                   | 1/1                        | 7.5      | 25600 | 31.2                          | 40.7                           | 45                                | 5.6      | 19200 | 27.1                          | 35.5                           | 40                                |
| BAYHTRM510BRKA                   | 1/1                        | 10       | 34100 | 41.7                          | 53.7                           | 60                                | 7.5      | 25600 | 36.1                          | 46.8                           | 50                                |

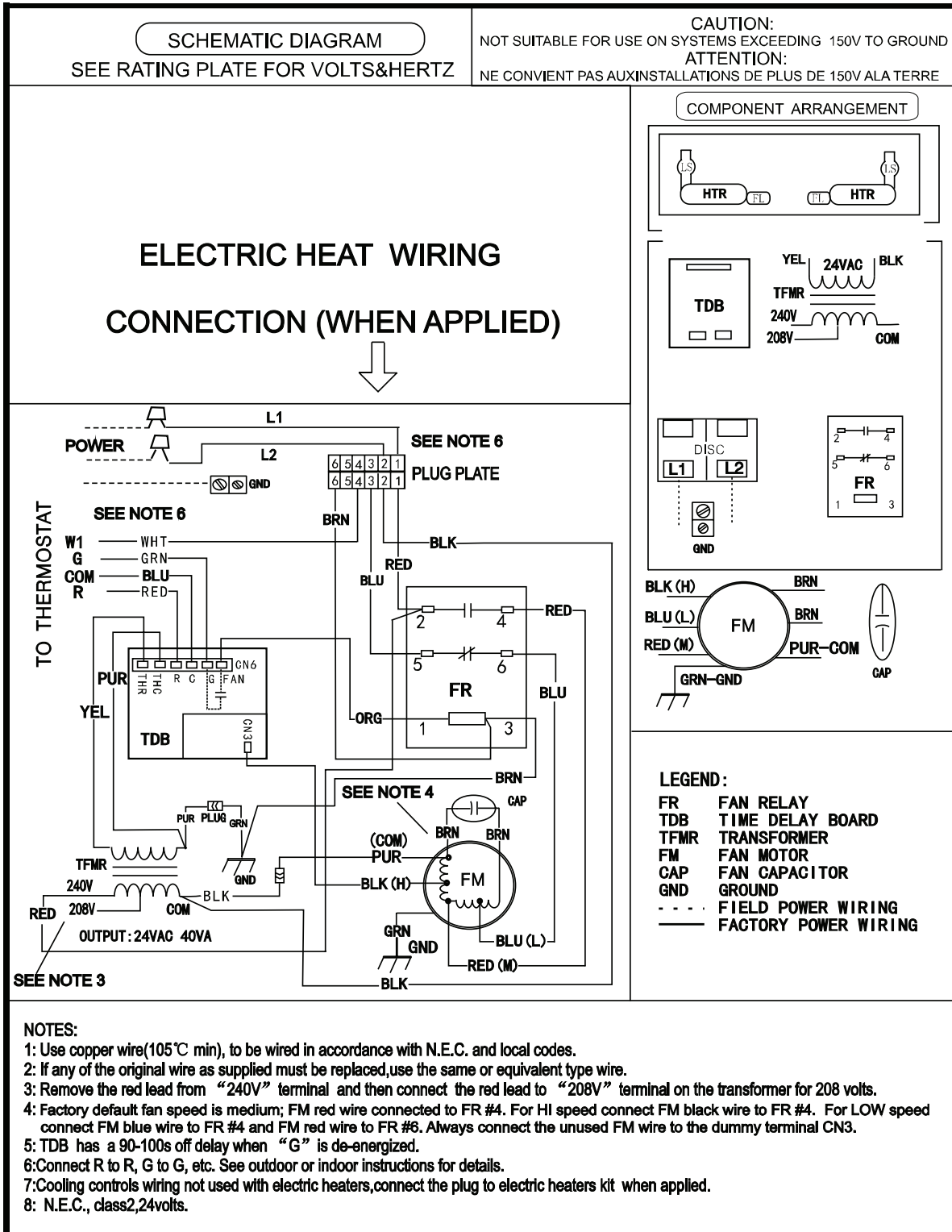
| TMM4B0B36S31SA – ELECTRICAL DATA |                            |          |       |                               |                                |                                   |          |       |                               |                                |                                   |
|----------------------------------|----------------------------|----------|-------|-------------------------------|--------------------------------|-----------------------------------|----------|-------|-------------------------------|--------------------------------|-----------------------------------|
| Heater Model No                  | No. of Circuits/<br>Phases | 240 Volt |       |                               |                                |                                   | 208 Volt |       |                               |                                |                                   |
|                                  |                            | Capacity |       | Heater<br>Amps per<br>Circuit | Minimum<br>Circuit<br>Ampacity | Maximum<br>Overload<br>Protection | Capacity |       | Heater<br>Amps per<br>Circuit | Minimum<br>Circuit<br>Ampacity | Maximum<br>Overload<br>Protection |
|                                  |                            | kW       | BTUH  |                               |                                |                                   | kW       | BTUH  |                               |                                |                                   |
| No Heater                        |                            |          |       |                               | 2.3                            | 15                                |          |       |                               | 2.3                            | 15                                |
| BAYHTRM505BRKA                   | 1/1                        | 5        | 17100 | 20.8                          | 28.3                           | 30                                | 3.8      | 12800 | 18.0                          | 24.9                           | 25                                |
| BAYHTRM508BRKA                   | 1/1                        | 7.5      | 25600 | 31.2                          | 41.4                           | 45                                | 5.6      | 19200 | 27.1                          | 36.2                           | 40                                |
| BAYHTRM510BRKA                   | 1/1                        | 10       | 34100 | 41.7                          | 54.4                           | 60                                | 7.5      | 25600 | 36.1                          | 47.4                           | 50                                |



**TRANE®**

# Electrical Data

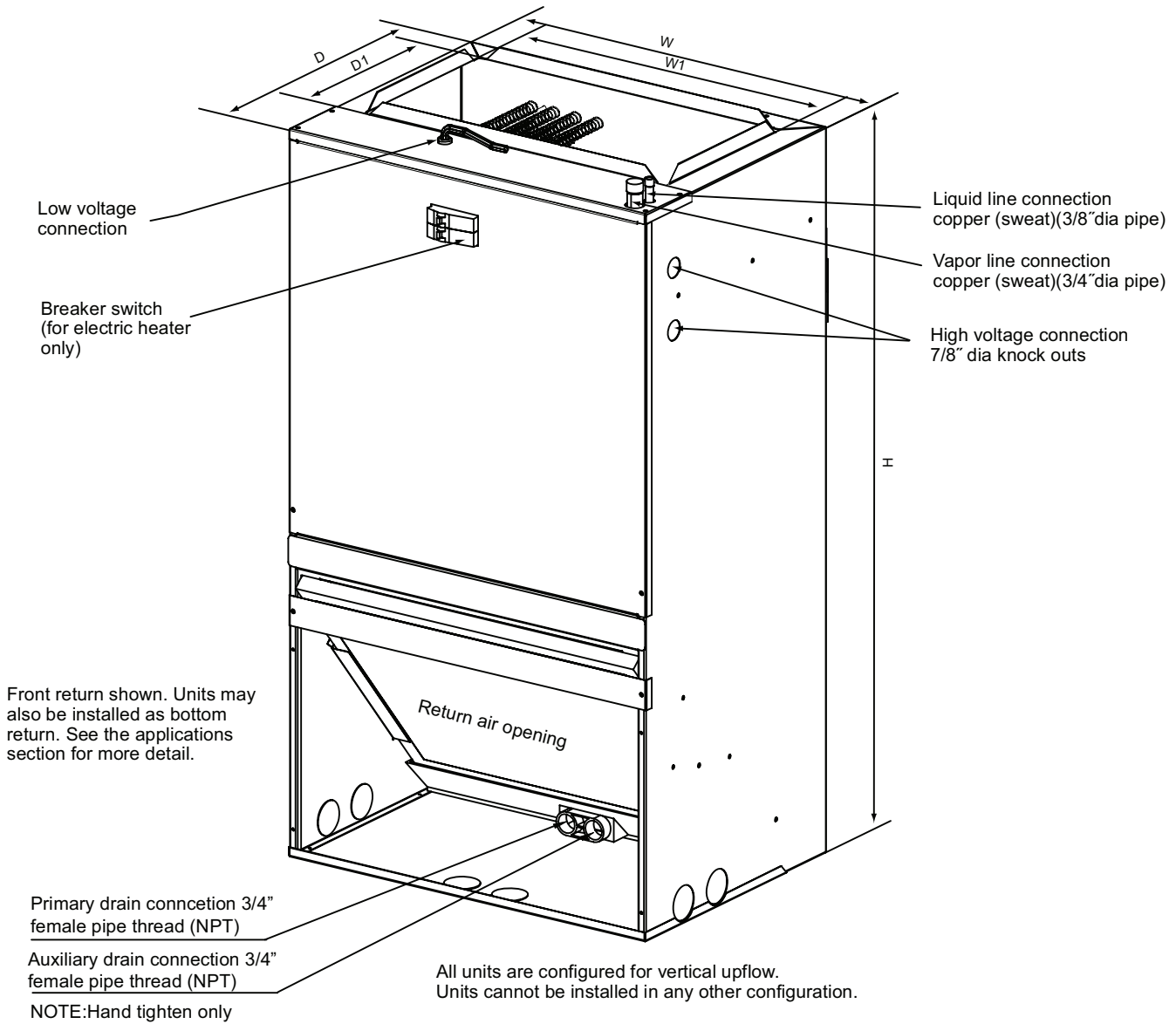
## Wiring diagram for TMM4





# Dimensions

**TMM4 AIR HANDLER DIMENSIONAL DATA**

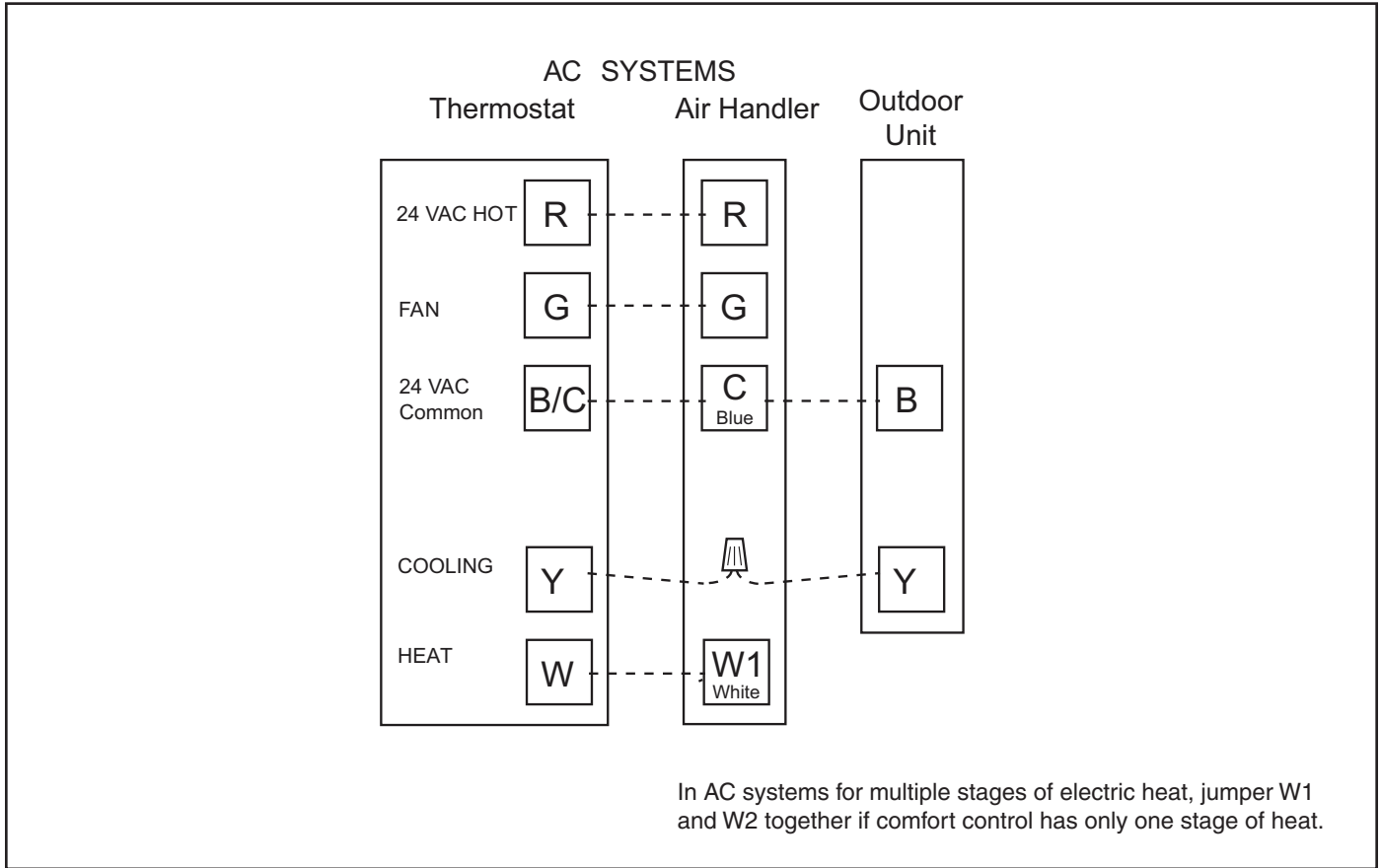


|                | PRODUCT DIMENSIONS inch (mm) |               |               |           |              |              |                | Unit weight/<br>Shipping Weight<br>[LBS(kg)] |
|----------------|------------------------------|---------------|---------------|-----------|--------------|--------------|----------------|--|
|                | Height                       | Width         | Width         | Depth     | Depth        | Flow Control | Gas Line Braze |  |
|                | H                            | W             | W1            | D         | D1           |              |                |  |
| TMM4B0A18S21SA | 36-1/2" (928)                | 20-1/2" (522) | 16-5/8" (422) | 15" (381) | 9-1/2" (242) | TXV          | 3/4"           | 88/99 (40/45)                                |
| TMM4B0A24S21SA | 36-1/2" (928)                | 20-1/2" (522) | 16-5/8" (422) | 15" (381) | 9-1/2" (242) | TXV          | 3/4"           | 88/99 (40/45)                                |
| TMM4B0B30S21SA | 39-1/2" (1004)               | 22" (559)     | 18-3/4" (477) | 19" (483) | 9-1/2" (242) | TXV          | 3/4"           | 104/117 (47/53)                              |
| TMM4B0B36S31SA | 39-1/2" (1004)               | 22" (559)     | 18-3/4" (477) | 19" (483) | 9-1/2" (242) | TXV          | 3/4"           | 104/117 (47/53)                              |



# Field Wiring

## TMM4 AIR HANDLERS FIELD WIRING DIAGRAMS







Trane - by Trane Technologies (NYSE: TT), a global climate innovator - creates comfortable, energy efficient indoor environments for commercial and residential applications. For more information, please visit [trane.com](http://trane.com) or [tranetechnologies.com](http://tranetechnologies.com).

---



The AHRI Certified mark indicates Trane U.S. Inc. participation in the AHRI Certification program. For verification of individual certified products, go to [ahridirectory.org](http://ahridirectory.org).

Trane has a policy of continuous data improvement and it reserves the right to change design and specifications without notice. We are committed to using environmentally conscious print practices.