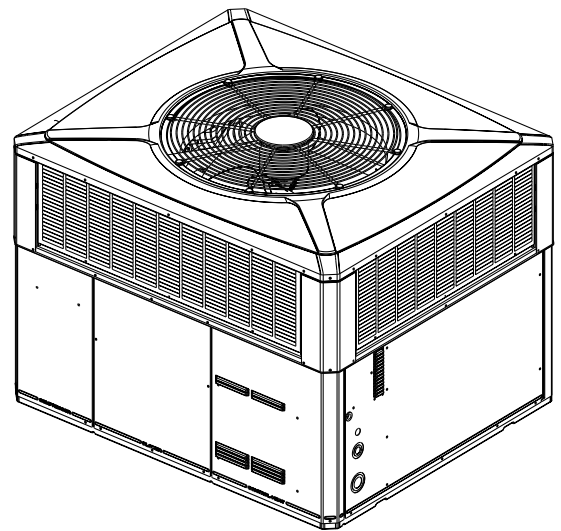




Product Data

Single Packaged Heat Pump 13.4 SEER2 Convertible, 2 — 5 Ton

4WCC4024E1000A
4WCC4030E1000A
4WCC4036E1000B
4WCC4042E1000A
4WCC4048E1000A
4WCC4060E1000A



Note: "Graphics in this document are for representation only. Actual model may differ in appearance."



SAFETY SECTION

Important: This document contains a wiring diagram, a parts list, and service information. This is customer property and is to remain with this unit. Please return to service information pack upon completion of work.

⚠ WARNING

HAZARDOUS VOLTAGE!

Failure to follow this Warning could result in property damage, severe personal injury, or death.

Disconnect all electric power, including remote disconnects before servicing. Follow proper lockout/tagout procedures to ensure the power cannot be inadvertently energized.

⚠ WARNING

SAFETY AND ELECTRICAL HAZARD!

Failure to follow this Warning could result in property damage, severe personal injury, or death.

These servicing instructions are for use by qualified personnel only. To reduce the risk of electrical shock, do not perform any servicing other than that contained in these operating instructions unless you are qualified to do so.

⚠ CAUTION

GROUNDING REQUIRED!

Failure to inspect or use proper service tools may result in equipment damage or personal injury.

Reconnect all grounding devices. All parts of this product that are capable of conducting electrical current are grounded. If grounding wires, screws, straps, clips, nuts, or washers used to complete a path to ground are removed for service, they must be returned to their original position and properly fastened.

⚠ WARNING

UNIT CONTAINS R-410A REFRIGERANT!

Failure to use proper service tools may result in equipment damage or personal injury. R-410A operating pressure exceeds the limit of R-22. Proper service equipment is required. Service using only R-410A Refrigerant and approved POE compressor oil.

⚠ WARNING

SAFETY HAZARD!

Operating the unit without the access panels properly installed may result in severe personal injury or death.

Do not operate the unit without the evaporator fan access panel or evaporator coil access panel in place.

⚠ WARNING

WARNING!

This product can expose you to chemicals including lead, which are known to the State of California to cause cancer and birth defects or other reproductive harm. For more information go to www.P65Warnings.ca.gov.

Important: Wear appropriate gloves, arm sleeve protectors and eye protection when servicing or maintaining this equipment.

Important: Air filters and media wheels or plates shall meet the test requirements in UL 900.



Table of Contents

Single Packaged Heat Pump System.....	4
Optional Equipment Listing.....	5
Product Specifications.....	7
Supplementary Electric Heaters.....	9
Indoor Fan Performance.....	10
Wiring Diagrams.....	12
Full Perimeter Roof Mounting Curb.....	18
Optional Equipment — Economizer.....	20
Optional Equipment — Outside Air Damper.....	21
Optional Equipment — Filter Rack.....	22
Outline Drawings.....	23
Mechanical Specifications.....	25



Single Packaged Heat Pump System

Introducing the new Trane Single Heat Pump System

Single Packaged Electric Heat Pumps are easy and versatile to install.

Because cooling and heating functions are all contained in a single cabinet, Trane packaged heat pump systems are easy to install and service. It can be flush mounted beside your home at ground level or placed on the roof for horizontal or downflow installation. When connected to an optional Trane thermostat control, and air distribution ducts, you have a highly efficient, total home comfort system.

Single Packaged Electric Heat Pump Systems are unmatched in quality and reliability.

All major components on these products, including the compressor, have been designed and manufactured for maximum service. Every compressor is designed and manufactured to exacting specifications. Each design is life tested in extreme environments to ensure reliable and long lasting operation in normal applications. Each compressor has internal motor protection for added reliability.

Single Packaged Electric Heat Pump Systems provide better performance.

Our single packaged cooling/heating units offer cooling/heating efficiencies that are unmatched in the industry and provide you with a product far superior in performance than the competition.



Optional Equipment Listing

* = T, W, or Y	
Hinged Filter Access Door (4*CC4024-036)	BAYCCDOR1A []
Hinged Filter Access Door (4*CC4042-060)	BAYCCDOR2A []
Roof Curb Full Perimeter (4*CC024-036)	BAYCURB050A []
Roof Curb Full Perimeter (4*CC042-060)	BAYCURB051A []
Roof Curb Utility Extension Kit (BAYCURB050A)	BAYUTIL101B []
Roof Curb Utility Extension Kit (BAYCURB051A)	BAYUTIL101B []
0-25% Manual Fresh Air Damper (4*CC4024-36) ^(a)	BAYOSAH001A []
0-25% Manual Fresh Air Damper (4*CC4042-60) ^(a)	BAYOSAH002A []
Motorized Fresh Air Damper (4*CC4024-036) ^(a)	BAYDMPR101A []
Motorized Fresh Air Damper (4*CC4042-060) ^(a)	BAYDMPR102A []
0-100% Mod Economizer w/Baro. Relief (4*CC4024-036) ^{(a)(b)(c)}	BAYECON101B []
0-100% Mod Economizer w/Baro. Relief (4*CC4042-060) ^{(a)(c)}	BAYECON102B []
0-100% Horizontal Economizer (4*CC4024-36) ^(a)	BAYECON200B []
0-100% Horizontal Economizer (4*CC4042-60) ^(a)	BAYECON201B []
Enthalpy Control for Economizer (ALL-BAYECON)	BAYEENTH001A []
Remote Potentiometer (ALL-BAYECON)	BAYSTAT023 []
1"–2" Filter Frame (4*CC4024-036) (18 x 25 filter not included)	BAYFLTR101C []
1"–2" Filter Frame (4*CC4042-060) (two 18 x 20 filters not included)	BAYFLTR201C []
Head Pressure Control (Low Ambient Cool) (208/240v) Kit	BAYLOAM105A []
Quick Start Kit (4WCC4, 4TCC4)	BAYQSTK300A []
Quick Start Kit (4YCC4)	BAYQSTK301A []
Crankcase Heater Scroll (4*CC4024-036) (230v)	BAYCCHT103A []
Crankcase Heater Scroll (4*CC4042-060) (230v)	BAYCCHT102A []
Crankcase Heater Scroll (4*CC4024-036) (230v)	BAYCCHT301A []
Crankcase Heater Scroll (4*CC4042-060) (230v)	BAYCCHT302A []
Adapter Curb (4*CC4024-36) to BAYCURB030, 38	BAYADAP050A []
Adapter Curb (4*CC4024-36) to BAYCURB033	BAYADAP051A []
Adapter Curb (4*CC4042-60) to BAYCURB030, 38	BAYADAP052A []
Adapter Curb (4*CC4042-60) to BAYCURB033	BAYADAP053A []
Adapter Curb (4*CC4042-60) to BAYCURB034	BAYADAP054A []
12" Duct Shroud Covers Horizontal (4*CC4024-060)	BAYCOVR112A []
18" Duct Shroud Covers Horizontal (4*CC4024-060)	BAYCOVR118A []
Extreme Condition Mounting Kit — All BAYCURB & BAYADAP	BAYEXMK001A []
Extreme Condition Mounting Kit — All BAYUTIL	BAYEXMK002B []
Extreme Condition Mounting Kit — All Slab Mounts	BAYEXMK003B []
Lifting Lug Kit	BAYLIFT002B []
LP Conversion Kit (All 115K Models)	BAYLPKT100A []
LP Conversion Kit (All 60K and 90K Models)	BAYLPKT101A []
LP Conversion Kit (All 70K Models)	BAYLPKT102A []



Optional Equipment Listing

SUPPLEMENTARY HEATERS (1 PHASE) * = T or W Only (Does not apply to Gas/Electric dual fuel models)	
3.76/5.0 KW Heater (208/240V 1 PH) (4*CC4024-060)	BAYHTRV105G []
6.0/8.0 KW Heater (208/240V 1 PH) (4*CC4024-060)	BAYHTRV108G []
7.50/10.0 KW Heater (208/240V 1 PH) (4*CC4024-060)	BAYHTRV110G []
11.27/15.0 KW Heater (208/240V 1 PH) (4*CC4030-060)	BAYHTRV115G []
15.0/20.0 KW Heater (208/240V 1 PH) (4*CC4048-060)	BAYHTRV120G []
18.78/25.0 KW Heater (208/240V 1 PH) (4*CC40060)	BAYHTRV125G []
Single Power Entry Kit ^(d)	BAYSPEK060G []
Single Power Entry Kit ^(d)	BAYSPEK062G []
Single Power Entry Kit ^(d)	BAYSPEK063G []

(a) Must use internal filter frame when economizer or fresh air kit is used.

(b) Dry bulb control standard with economizer.

(c) Downflow only.

(d) Must be selected per unit and heater model.



Product Specifications

MODEL	4WCC4024E	4WCC4030E	4WCC4036E	4WCC4042E	4WCC4048E	4WCC4060E
RATED Volts/PH/Hz	208-230/1/60					
Performance Cooling BTUH (a)	23800	29800	35200	43000	47000	57000
Indoor Airflow (CFM)	770	985	1105	1355	1590	1835
Power Input (KW)	2.09	2.55	3.03	3.54	4.1	4.85
EER2/SEER2 (BTU/Watt-Hr.) (b)	11.00 / 13.40	11.00 / 13.40	11.00 / 13.40	11.00 / 13.40	11.00 / 13.40	11.00 / 13.40
Sound Power Rating [dB(A)] (c)	66.4	70	69.4	71.5	72.5	77.3
PERFORMANCE HEATING						
(High Temp.) BTUH	23200	28600	34400	39000	45000	55000
Power Input (KW)	1.95	2.31	2.93	3.43	3.94	4.71
(Low Temp.) BTUH	14700	17200	22000	23400	26200	35400
Power Input (KW)	1.78	2.16	2.76	3.15	3.61	4.34
HSPF2 (BTUH/Watt-Hr)	7.0					
POWER CONN— V/Ph/Hz	208-230/1/60					
Min. Brch. Cir. Ampacity (d)	20	22	24	29	32	40
Fuse Size — Max. (amps)	30	35	35	45	50	60
Fuse Size — Recmd. (amps)	30	35	35	45	50	60
COMPRESSOR	SCROLL					
VOLTS/PH/HZ	208-230/1/60					
R.L. Amps / L.R. Amps	12.8 / 58.3	14.1 / 73	15.4 / 84	17 / 123.9	19.6 / 130.0	24.4 / 144.2
OUTDOOR COIL — TYPE	SPINE FIN					
Rows/F.P.I	2 / 24					
Face Area (sq. ft.)	13.32	13.32	15.49	20.54	20.54	22.99
Tube Size (in.)	3/8					
Refrigerant Control	EXPANSION VALVE					
INDOOR COIL — TYPE	PLATE FIN					
Rows/F.P.I	3 / 15	4 / 15	4 / 15	3 / 15	3 / 15	4 / 15
Face Area (sq. ft.)	3.5			5.0		
Tube Size (in.)	3/8					
Refrigeration Control	EXPANSION VALVE					
Drain Conn. Size (in.)	3/4 FEMALE NPT					



Product Specifications

MODEL	4WCC4024E	4WCC4030E	4WCC4036E	4WCC4042E	4WCC4048E	4WCC4060E
OUTDOOR FAN – TYPE	SWEPT					
DIA. (IN.)	23.4			28.3		
DRIVE/NO. SPEEDS	DIRECT / 1					
CFM @ 0.0 in. w.g. ^(e)	2550	3270	3250	4400	4400	5500
Motor – HP/R.P.M	1/12 / 850	1 / 6 / 842	1 / 5 / 855	1/4 / 798	1 / 4 / 825	1/3 / 825
Volts/Ph/Hz	208–230/1/60					
F.L. Amps/L.R Amps	0.54 / 0.82	0.85 / 1.65	1.1 / 2.0	1.5 / 3.07	1.5 / 3.07	1.7 / 3.5
INDOOR FAN – TYPE	CONSTANT TORQUE ECM					
Dia. x Width (in.)	10.62 X 10.68	10.62 X 10.68	10.62 X 10.68	10.62 X 10.62	10.62 X 10.62	11.87 X 10.68
Drive/No. Speeds	DIRECT / 4					
CFM @ 0.0 in. w.g. ^(f)	SEE FAN PERF TABLE					
Motor – HP/R.P.M.	1/2 / 1050	1/2 / 1050	1/2 / 1050	3/4 / 1050	3/4 / 1050	1 / 1050
Volts/Ph/Hz	208–230/1/60					
F.L. Amps	3.9	3.9	3.9	6	6	7.4
FILTER / FURNISHED	NO					
Type Recommended	THROWAWAY					
Recmd. Face Area (sq. ft) ^(g)	2.7	4.0	4.0	5.3	5.3	5.3
REFRIGERANT	R-410A					
Charge (lbs.)	5.74	7.2	7.2	8.33	8.38	11.0
CHARGING SPECIFICATIONS						
Subcooling	16°	14°	11°	9°	8°	6°
DIMENSIONS	H X D X W	H X D X W	H X D X W	H X D X W	H X D X W	H X D X W
Crated (in.)	46 X 45 X 52	48 X 45 X 52	48 X 45 X 52	48 X 45 X 52	50 X 47 X 62	52 X 47 X 62
WEIGHT						
Shipping (lbs.) / Net (lbs.)	402 / 328	430 / 355	439 / 364	548 / 444	529 / 425	594 / 490

(a) Rated in accordance with AHRI Standard 210/240.

(b) Rated in accordance with D.O.E. test procedure.

(c) Sound Power values are not adjusted for AHRI 270–95 tonal corrections.

(d) Calculated in accordance with currently prevailing Nat'l Electrical Code.

(e) Standard Air – Dry Coil – Outdoor.

(f) Standard Air – Dry Coil – Indoor

(g) Filters must be installed in return air stream. Square footages listed are based on 300 f.p.m. face velocity. If permanent filters are used size per manufacturer's recommendation with a clean resistance of 0.05" W.C.



Supplementary Electric Heaters

UNIT MODEL	ELECTRIC HEATER MODEL	RATED VOLT-AGE	PHAS-E	AMPS	HEATER CAPACITY		NO. OF STAGES	KW/STAGE		MCA	MAX. FUSE OR HACR CKT BKR SIZE ^(a)	CANADA ONLY MAX. CKT BKR SIZE ^(b)
					KW	BTUH		1	2			
&TCC&024-060#1 &WCC&024-060#1 &TCY&024-060#1 &WCY&024-060#1 &WCZ&024-060#1	BAYHTRV105	208/ 240	1	18/ 21	3.76/ 5.0	12800/ 17100	1	3.76/ 5.0	—	23/ 26	25/30	25/30
&TCC&024-060#1 &WCC&024-060#1 &TCY&024-060#1 &WCY&024-060#1 &WCZ&024-060#1	BAYHTRV108	208/ 240	1	29/ 33	6.0/ 8.0	20500/ 27300	1	6.0/ 8.0	—	36/ 41	40/45	40/45
&TCC&024-060#1 &WCC&024-060#1 &TCY&024-060#1 &WCY&024-060#1 &WCZ&024-060#1	BAYHTRV110	208/ 240	1	36/ 42	7.5/ 10.0	25600/ 34100	1	7.5/ 10.0	—	45/ 52	45/60	45/60
&TCC&030-060#1 &WCC&030-060#1 &TCY&030-060#1 &WCY&030-060#1 &WCZ&036-060#1	BAYHTRV115	208/ 240	1	54/ 63	11.2- 7/ 15.0	38500/ 51200	2	7.5/ 10.0	3.76/ 5.0	68/ 78	70/80	70/80
&TCC&048-060#1 &WCC&048-060#1 &TCY&042-060#1 &WCY&042-060#1 &WCZ&048-060#1	BAYHTRV120#	208/ 240	1	72/ 83	15.0/ 20.0	51200/ 68300	2	7.5/ 10.0	7.5/ 10.0	90/ 104	90/110	90/110
&TCC&060#1 &WCC&060#1 &TCY&042-060#1 &WCY&042-060#1 &WCZ&048-060#1	BAYHTRV125#	208/ 240	1	90/ 104	18.7- 8/ 25.0	64100/ 85300	2	11.2- 6/ 15.0	7.5/ 10.0	113/ 130	125/150	125/150
&W/TCY4036-060#3 &WCZ&036-060#3	BAYHTRV305	208/ 240	3	10/ 12	3.76/ 5.0	12800/ 17100	1	3.76/ 5.0	—	13/ 15	15/15	15/15
&W/TCY4036-060#3 &WCZ&036-060#3	BAYHTRV308	208/ 240	3	17/ 19	6.0/ 8.0	20500/ 27300	1	6.0/ 8.0	—	21/ 24	25/25	25/25
&W/TCY4036-060#3 &WCZ&036-060#3	BAYHTRV310	208/ 240	3	21/ 24	7.5/ 10.0	25600/ 34100	1	7.5/ 10.0	—	26/ 30	30/30	30/30
&W/TCY4036-060#3 &WCZ&036-060#3	BAYHTRV315	208/ 240	3	31/ 36	11.2- 7/ 15.0	38500/ 51200	2	7.5/ 10.0	3.76/ 5.0	39/ 45	40/45	40/45
&W/TCY4048-060#3 &WCZ&048-060#3	BAYHTRV320	208/ 240	3	42/ 48	15.0/ 20.0	51200/ 68300	2	7.5/ 10.0	7.5/ 10.0	52/ 60	60/60	60/60
&W/TCY4048-060#3 &WCZ&048-060#3	BAYHTRV325#	208/ 240	3	52/ 60	18.7- 8/ 25.0	64100/ 85300	2	11.2- 6/ 15.0	7.5/ 10.0	65/ 75	70/80	70/80
&WCZ&036-060#4	BAYHTRV405	480	3	6	5.0	17100	1	5.0	—	8	15	15
&WCZ&036-060#4	BAYHTRV408	480	3	10	8.0	27300	1	8.0	—	13	15	15
&WCZ&036-060#4	BAYHTRV410	480	3	12	10.0	34100	1	10.0	—	15	15	15
&WCZ&036-060#4	BAYHTRV415	480	3	18	15.0	51200	2	10.0	5.0	23	25	25
&WCZ&048-060#4	BAYHTRV420	480	3	24	20.0	68300	2	10.0	10.0	30	30	30

1. Any power supply and circuits must be wired and protected in accordance with local electrical codes.
2. The values listed in the above table are for the electric heater only.
3. Field wiring must be rated at least 75° C.
4. * indicates an alpha character.
5. † indicates model letter.
6. # Heater uses fuses.
7. & indicates a digit.

ALL VALUES ARE FOR THE ELECTRIC HEATER ONLY

^(a) The HACR circuit breaker is for U.S.A. installations only.

^(b) For Canada installation reference only.



Indoor Fan Performance

4WCC4024E1		EXTERNAL STATIC PRESSURE (IN.WG) Horizontal Airflow [Down Airflow]										
Motor Speed		0.0	0.1	0.2	0.3	0.4	0.5	0.6	0.7	0.8	0.9	1
LOW	Watts	63 [63]	70 [71]	77 [77]	-	-	-	-	-	-	-	-
	CFM	899 [890]	820 [811]	755 [747]	-	-	-	-	-	-	-	-
MED-LOW	Watts	-	83 [84]	91 [91]	97 [98]	-	-	-	-	-	-	-
	CFM	-	886 [877]	818 [810]	756 [749]	-	-	-	-	-	-	-
MED-HIGH	Watts	-	-	-	127 [127]	134 [135]	142 [143]	-	-	-	-	-
	CFM	-	-	-	886 [877]	820 [812]	748 [741]	-	-	-	-	-
HIGH	Watts	-	-	-	-	-	195 [195]	204 [204]	214 [214]	-	-	-
	CFM	-	-	-	-	-	867 [858]	798 [790]	741 [734]	-	-	-

Note: Airflow must not exceed 900 CFM due to condensate blowoff.

4WCC4030E1		EXTERNAL STATIC PRESSURE (IN.WG) Horizontal Airflow [Down Airflow]										
Motor Speed		0.0	0.1	0.2	0.3	0.4	0.5	0.6	0.7	0.8	0.9	1
LOW	Watts	119 [120]	128 [128]	136 [137]	145 [145]	-	-	-	-	-	-	-
	CFM	1065 [1054]	1012 [1002]	951 [942]	894 [855]	-	-	-	-	-	-	-
MED-LOW	Watts	-	157 [158]	167 [167]	175 [176]	186 [186]	196 [197]	-	-	-	-	-
	CFM	-	1102 [1091]	1046 [1035]	993 [983]	938 [928]	877 [868]	-	-	-	-	-
MED-HIGH	Watts	-	-	-	-	240 [242]	252 [253]	263 [264]	273 [274]	-	-	-
	CFM	-	-	-	-	1085 [1074]	1032 [1022]	978 [969]	934 [925]	-	-	-
HIGH	Watts	-	-	-	-	-	308 [308]	319 [319]	329 [329]	340 [340]	350 [350]	-
	CFM	-	-	-	-	-	1116 [1105]	1069 [1058]	1031 [1021]	968 [958]	926 [917]	-

Note: Airflow must not exceed 1125 CFM due to condensate blowoff.

4WCC4036E1		EXTERNAL STATIC PRESSURE (IN.WG) Horizontal Airflow [Down Airflow]										
Motor Speed		0.0	0.1	0.2	0.3	0.4	0.5	0.6	0.7	0.8	0.9	1
LOW	Watts	145 [146]	152 [153]	159 [159]	-	-	-	-	-	-	-	-
	CFM	1145 [1133]	1098 [1087]	1047 [1037]	-	-	-	-	-	-	-	-
MED-LOW	Watts	195 [196]	202 [203]	210 [211]	218 [220]	227 [228]	-	-	-	-	-	-
	CFM	1268 [1255]	1226 [1213]	1177 [1166]	1125 [1114]	1072 [1062]	-	-	-	-	-	-
MED-HIGH	Watts	-	-	326 [326]	339 [339]	350 [350]	360 [360]	369 [369]	381 [381]	392 [392]	401 [401]	-
	CFM	-	-	1347 [1334]	1304 [1291]	1266 [1253]	1225 [1213]	1176 [1164]	1133 [1122]	1093 [1082]	1059 [1048]	-
HIGH	Watts	-	-	-	-	342 [343]	351 [353]	361 [363]	372 [373]	-	-	-
	CFM	-	-	-	-	1308 [1295]	1261 [1248]	1216 [1204]	1172 [1160]	-	-	-

Note: Airflow must not exceed 1350 CFM due to condensate blowoff.

Indoor Fan Performance

4WCC4042E1		EXTERNAL STATIC PRESSURE (IN.WG) Horizontal Airflow [Down Airflow]										
Motor Speed		0.0	0.1	0.2	0.3	0.4	0.5	0.6	0.7	0.8	0.9	1
LOW	Watts	257 [262]	263 [268]	272 [277]	282 [288]	292 [298]	-	-	-	-	-	-
	CFM	1411 [1397]	1355 [1342]	1295 [1282]	1239 [1226]	1189 [1177]	-	-	-	-	-	-
MED-LOW	Watts	-	324 [330]	335 [342]	346 [353]	358 [365]	370 [377]	382 [390]	393 [401]	-	-	-
	CFM	-	1572 [1556]	1536 [1521]	1499 [1484]	1462 [1447]	1429 [1415]	1392 [1378]	1355 [1341]	-	-	-
MED-HIGH	Watts	-	-	386 [394]	398 [406]	410 [418]	421 [429]	431 [440]	438 [447]	-	-	-
	CFM	-	-	1581 [1565]	1538 [1523]	1497 [1482]	1461 [1446]	1424 [1409]	1386 [1373]	-	-	-
HIGH	Watts	-	-	-	-	540 [551]	552 [563]	565 [576]	575 [586]	-	-	-
	CFM	-	-	-	-	1576 [1560]	1533 [1518]	1496 [1481]	1458 [1443]	-	-	-

Note: Airflow must not exceed 1575 CFM due to condensate blowoff.

4WCC4048E1		EXTERNAL STATIC PRESSURE (IN.WG) Horizontal Airflow [Down Airflow]										
Motor Speed		0.0	0.1	0.2	0.3	0.4	0.5	0.6	0.7	0.8	0.9	1
LOW	Watts	359 [367]	371 [378]	383 [390]	404 [412]	406 [414]	418 [426]	429 [438]	440 [449]	-	-	-
	CFM	1649 [1632]	1616 [1600]	1581 [1565]	1516 [1501]	1509 [1494]	1475 [1460]	1441 [1427]	1408 [1394]	-	-	-
MED-LOW	Watts	-	475 [485]	487 [497]	499 [509]	512 [522]	524 [534]	537 [548]	549 [560]	563 [574]	-	-
	CFM	-	1803 [1785]	1774 [1756]	1742 [1725]	1709 [1692]	1678 [1661]	1644 [1628]	1612 [1596]	1578 [1562]	-	-
MED-HIGH	Watts	-	-	536 [547]	559 [570]	562 [573]	575 [586]	588 [600]	600 [612]	612 [625]	-	-
	CFM	-	-	1789 [1771]	1731 [1713]	1724 [1707]	1693 [1676]	1661 [1645]	1630 [1614]	1600 [1584]	-	-
HIGH	Watts	-	-	-	-	601 [613]	613 [625]	631 [644]	643 [656]	647 [660]	-	-
	CFM	-	-	-	-	1806 [1788]	1769 [1751]	1728 [1711]	1688 [1671]	1652 [1635]	-	-

Note: Airflow must not exceed 1800 CFM due to condensate blowoff.

4WCC4060E1		EXTERNAL STATIC PRESSURE (IN.WG) Horizontal Airflow [Down Airflow]										
Motor Speed		0.0	0.1	0.2	0.3	0.4	0.5	0.6	0.7	0.8	0.9	1
LOW	Watts	515 [511]	523 [521]	533 [533]	544 [546]	554 [558]	-	-	-	-	-	-
	CFM	1857 [1875]	1831 [1841]	1800 [1805]	1766 [1766]	1737 [1730]	-	-	-	-	-	-
MED-LOW	Watts	-	632 [631]	644 [643]	655 [654]	666 [665]	677 [676]	689 [687]	699 [697]	714 [712]	728 [726]	741 [739]
	CFM	-	2059 [2070]	2020 [2031]	1990 [2001]	1960 [1971]	1928 [1939]	1895 [1905]	1871 [1881]	1828 [1838]	1786 [1796]	1748 [1758]
MED-HIGH	Watts	-	759 [758]	769 [771]	779 [786]	788 [801]	803 [815]	816 [829]	830 [839]	845 [849]	860 [858]	874 [872]
	CFM	-	2058 [2063]	2032 [2034]	2003 [1999]	1974 [1965]	1943 [1931]	1911 [1894]	1877 [1869]	1843 [1846]	1807 [1795]	1771 [1759]
HIGH	Watts	-	910 [908]	921 [919]	932 [930]	941 [942]	956 [960]	969 [971]	983 [988]	997 [997]	1010 [1001]	1021 [1018]
	CFM	-	2177 [2184]	2152 [2150]	2127 [2104]	2105 [2073]	2071 [2027]	2041 [1998]	2009 [1961]	1975 [1937]	1940 [1905]	1903 [1890]

Note: Airflow must not exceed 2250 CFM due to condensate blowoff.

Wiring Diagrams

Figure 1. 4WCC4024 — 4042 Models

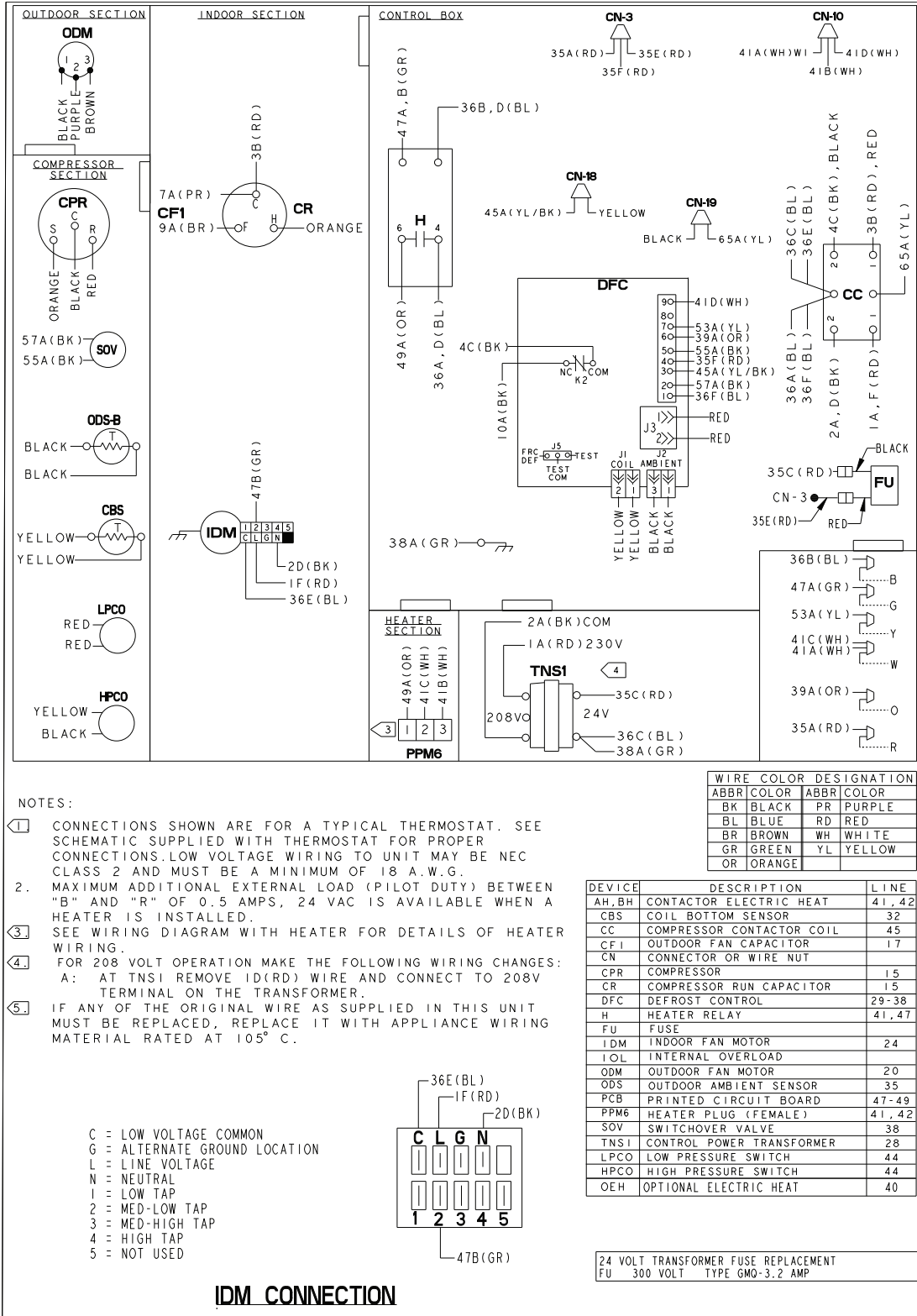


Figure 2. 4WCC4024 — 4042 Models Pg 2

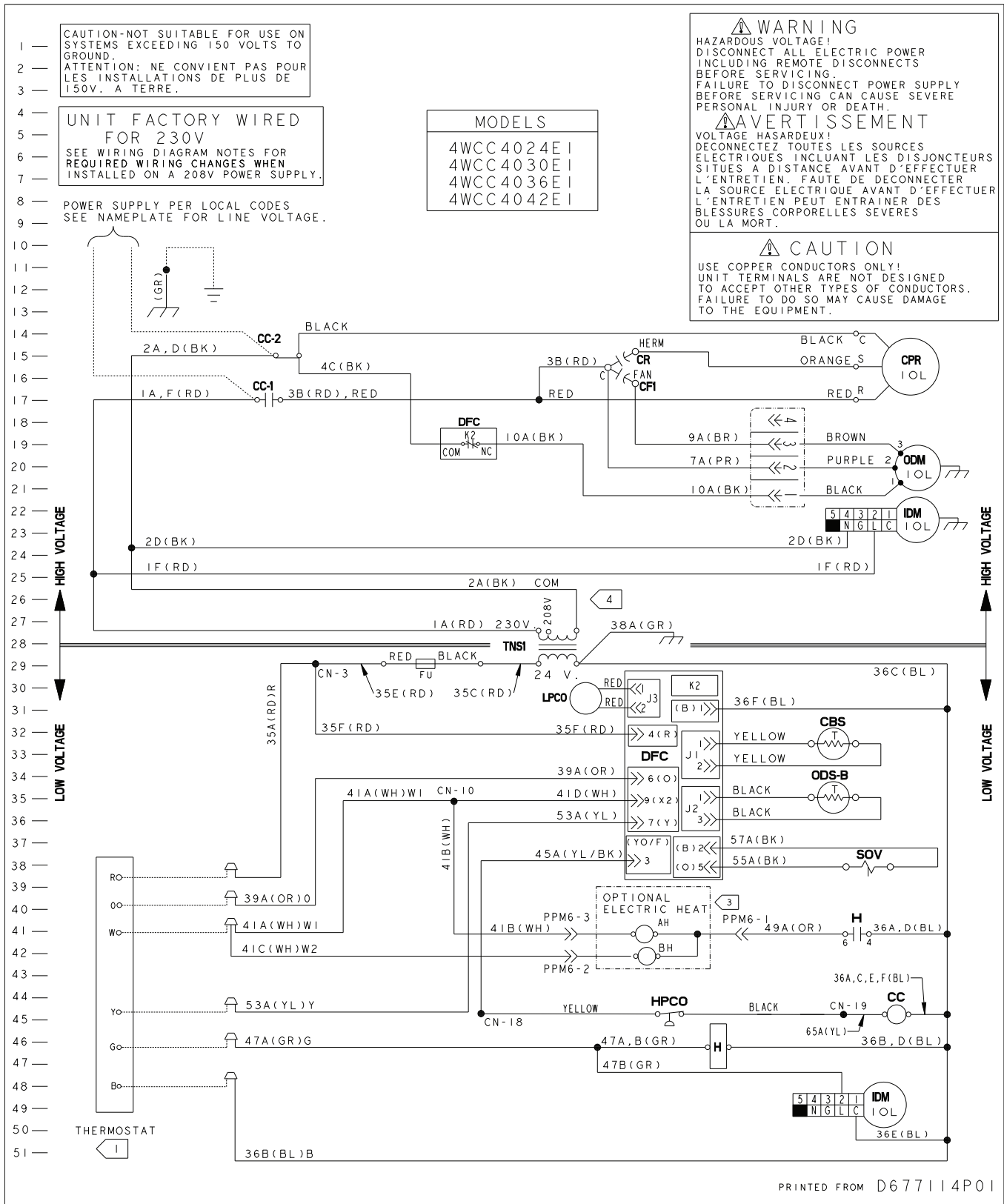


Figure 3. 4WCC4048 Model

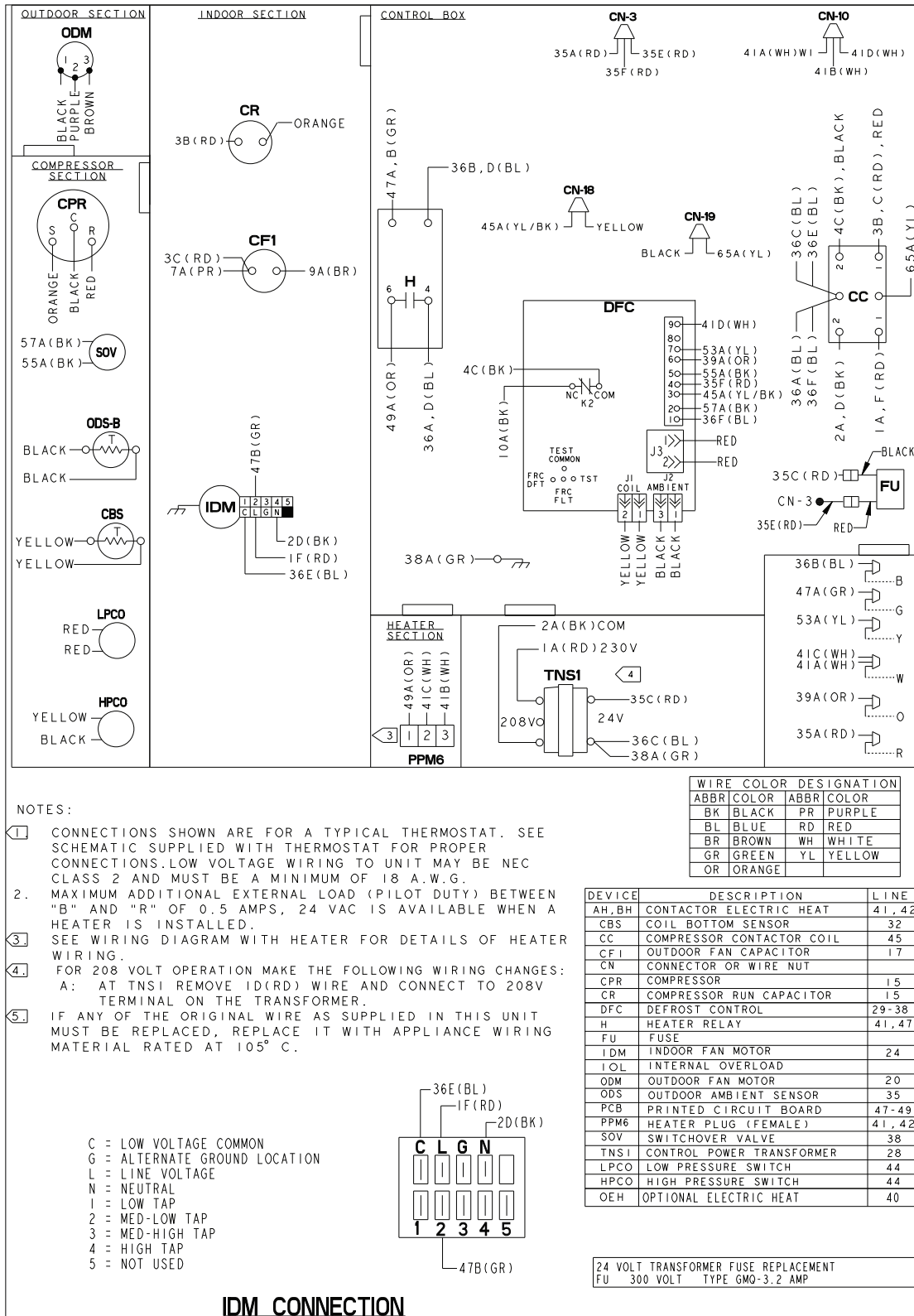
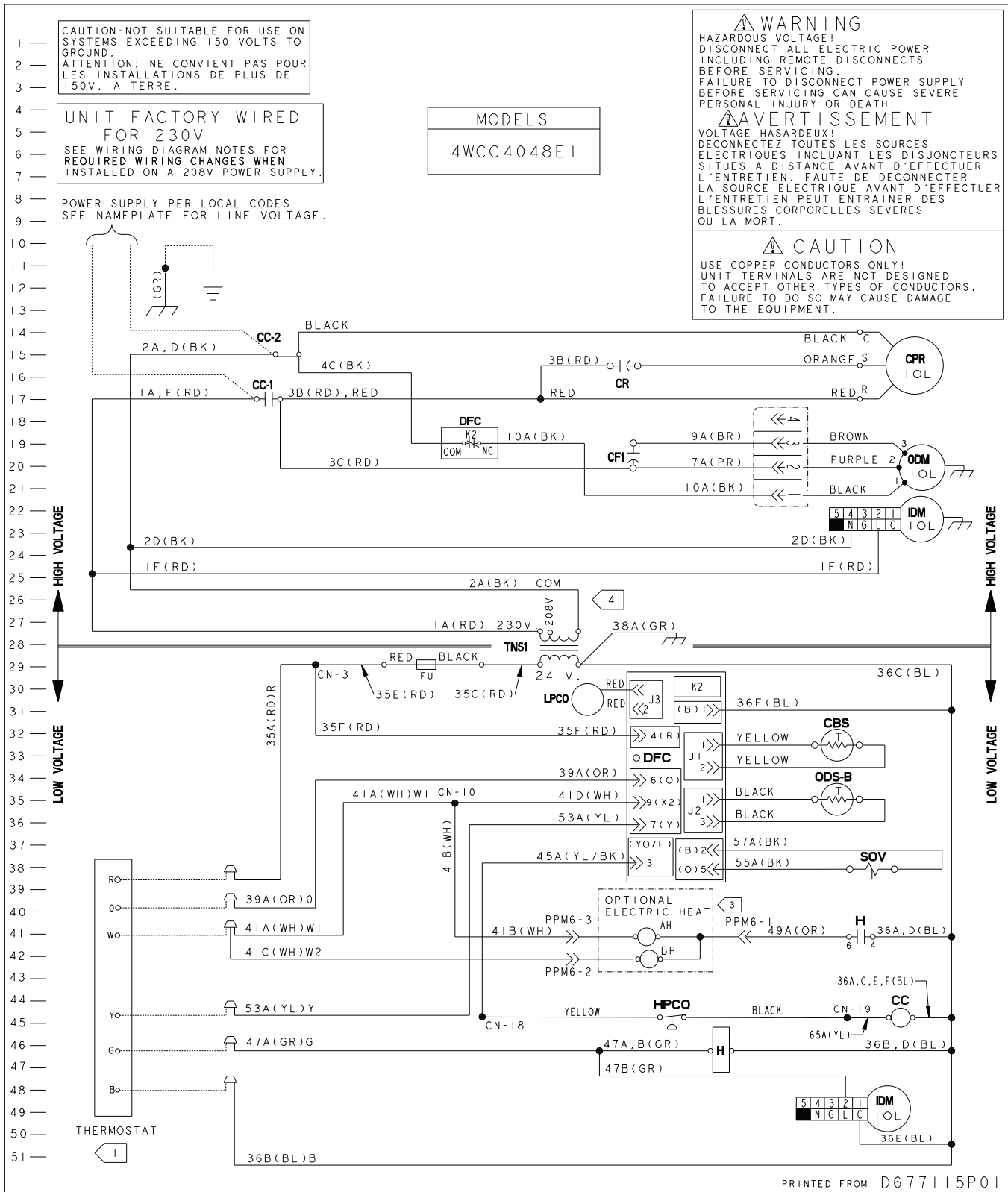


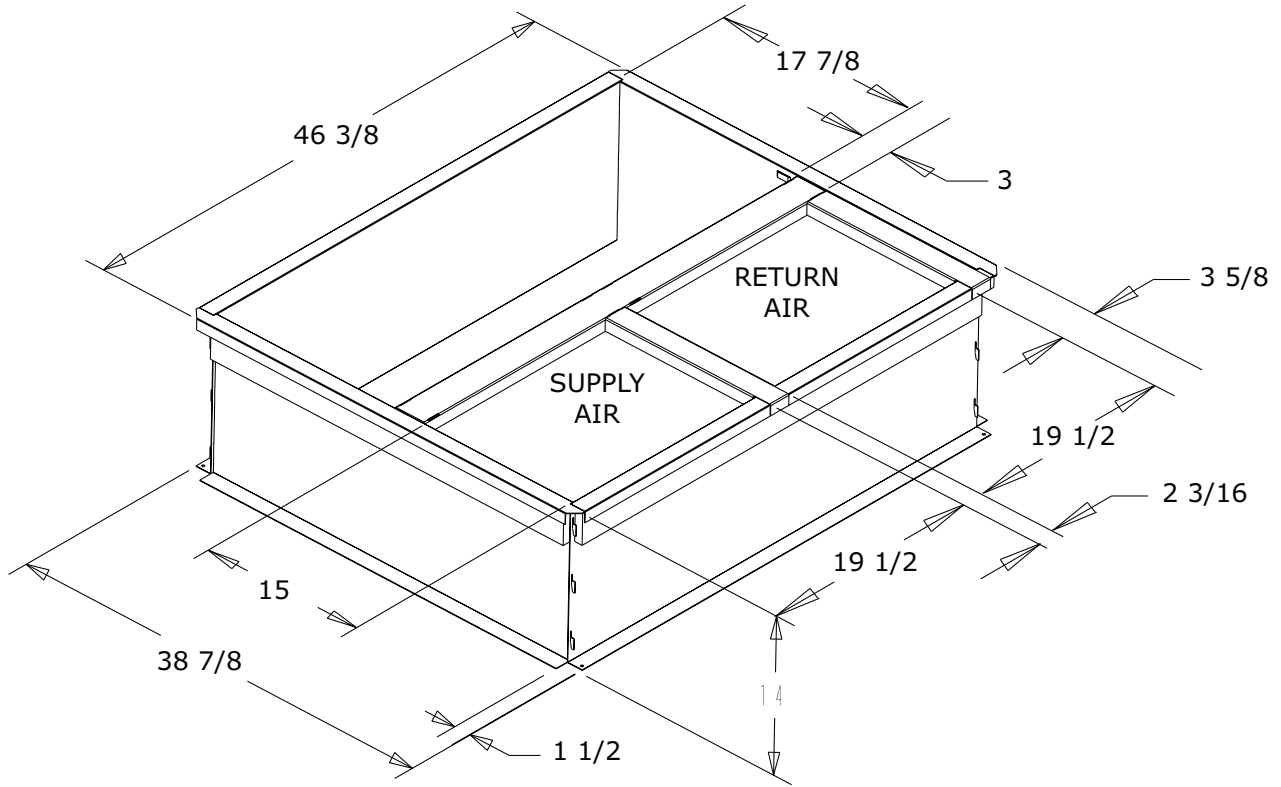
Figure 4. 4WCC4048 Model Pg 2



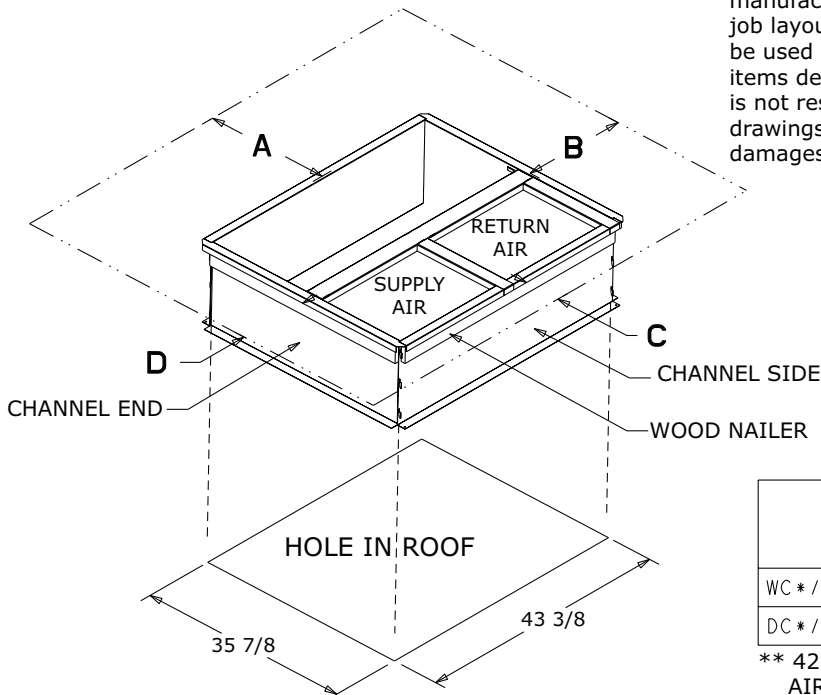
Full Perimeter Roof Mounting Curb

Figure 7. 2.0 – 3.0 Ton Models

BAYCURB050A Full Perimeter Roof Mounting Curb



The drawings on this page are prepared by the manufacturer in order to provide detail regarding job layout only. These drawings are not intended to be used as a basis to construct, build or modify the items depicted in the drawings. The manufacturer is not responsible for the unauthorized use of these drawings and expressly disclaims any liability for damages resulting from such unauthorized use.

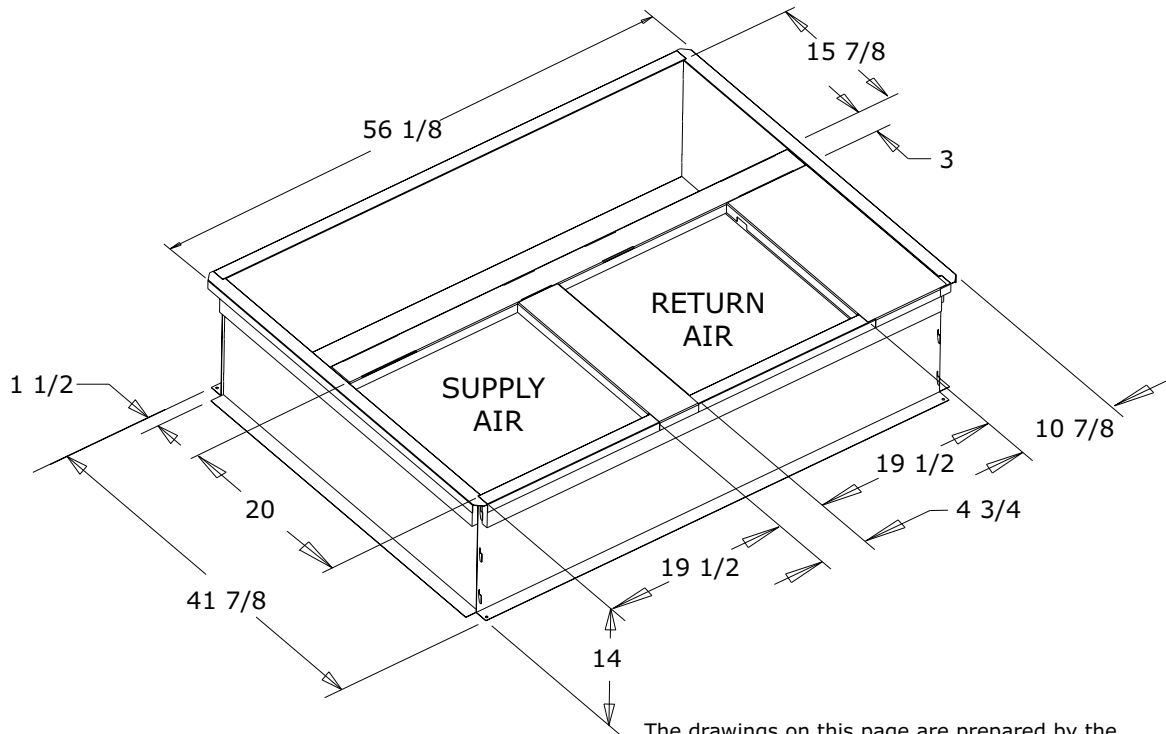


	SERVICE CLEARANCE DIMENSIONS			
	A	B	C	D
WC*/TC*	42.00	36.00	12.00**	24.00
DC*/YC*	42.00	36.00	12.00**	36.00

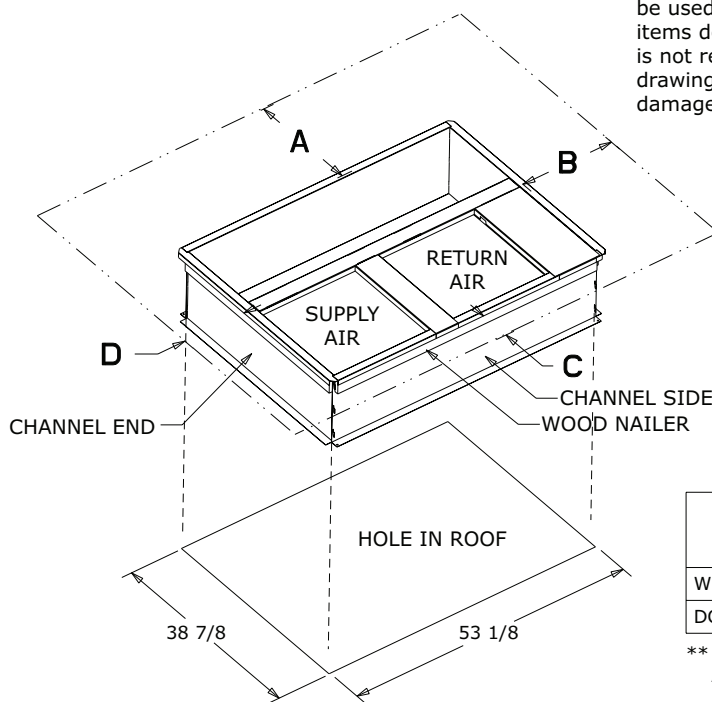
** 42.00 WITH ECONOMIZER WITH 25% FRESH AIR ACCESSORY

Figure 8. 3.5 – 5.0 Ton Models

BAYCURB051A Full Perimeter Roof Mounting Curb



The drawings on this page are prepared by the manufacturer in order to provide detail regarding job layout only. These drawings are not intended to be used as a basis to construct, build or modify the items depicted in the drawings. The manufacturer is not responsible for the unauthorized use of these drawings and expressly disclaims any liability for damages resulting from such unauthorized use.



	SERVICE CLEARANCE DIMENSIONS			
	A	B	C	D
WC*/TC*	42.00	36.00	12.00**	24.00
DC*/YC*	42.00	36.00	12.00**	36.00

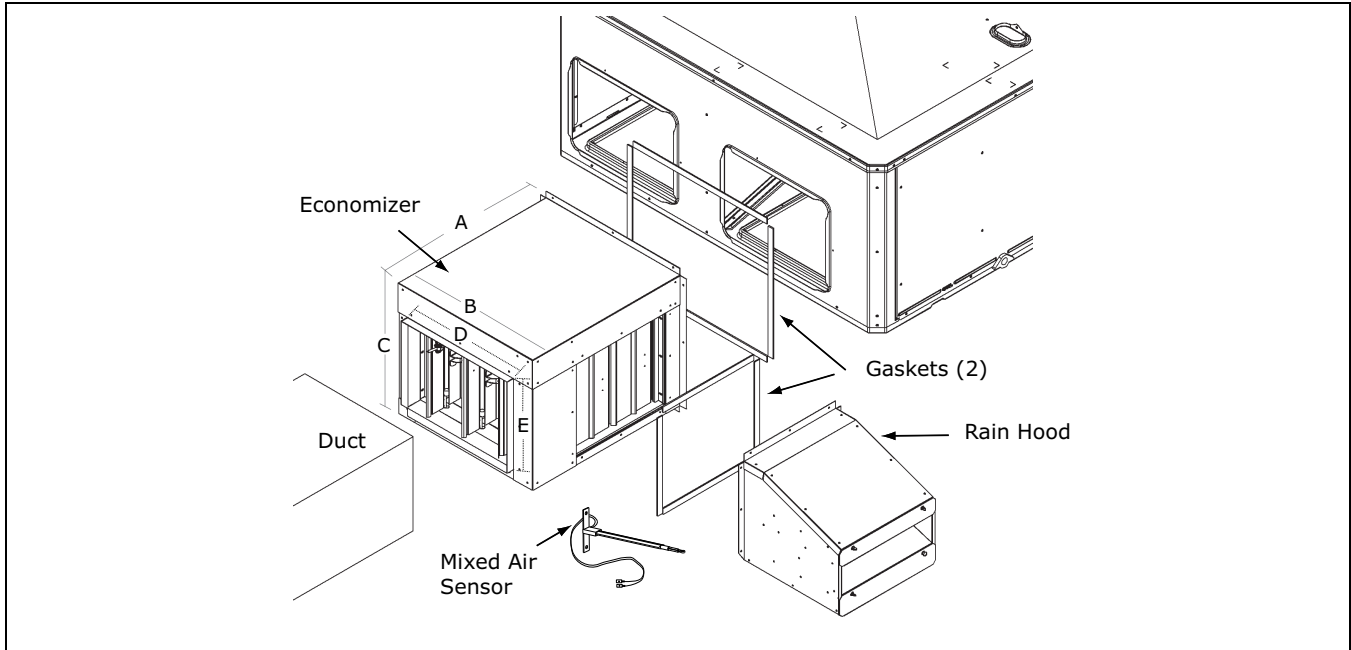
** 42.00 WITH ECONOMIZER WITH 25% FRESH AIR ACCESSORY

Optional Equipment – Economizer

Table 1. BAYECON101,102A Down Discharge Economizer and Rain Hood (Mounts Over Horizontal Return Air Opening)

	Economizer	Unit Application Models
	BAYECON101A	2.0 – 3.0 Ton Models
	BAYECON102A	3.5 – 5.0 Ton Models

Table 2. BAYCON200, 201A Horizontal Economizer and Rain Hood



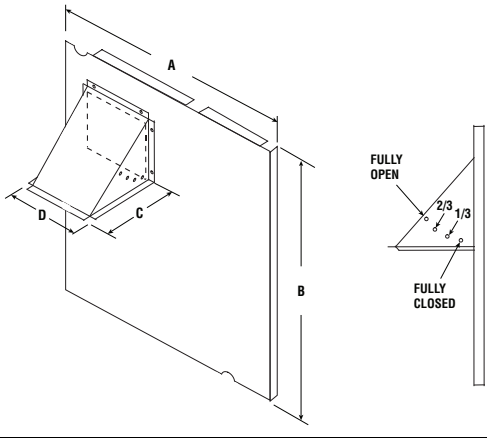
Economizer	Models	A	B	C	D	E	F
BAYECON200A	2.0 – 3.0 Ton	22"	20"	16-7/8"	15-11/16"	11-11/16"	15"
BAYECON201A	3.5 – 5.0 Ton	26"	22-21/32"	19"	17-11/16"	14-11/16"	21-3/8"

Note: The drawings on this page are prepared by the manufacturer in order to provide detail regarding job layout only. These drawings are not intended to be used as a basis to construct, build or modify the items depicted in the drawings. The manufacturer is not responsible for the unauthorized use of these drawings and expressly disclaims any liability for damages resulting from such unauthorized use.

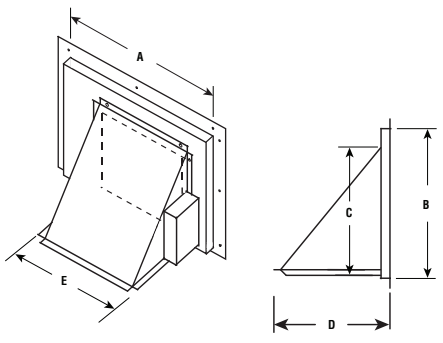


Optional Equipment – Outside Air Damper

**Table 3. BAYOSAH001 and 002A Outside Air Damper
(Replaces Filter/Coil Access Panel)**

	Manual Fresh Air Model	Unit Application Models	A	B	C	D
	BAYOSAH001A	2.0 – 3.0 Ton	22-7/16"	20-11/16"	12-3/8"	9-3/16"
BAYOSAH002A	3.5 – 5.0 Ton	25-3/16"	20-11/16"	12-3/8"	9-3/16"	

**Table 4. BAYDMPR101 and 102A, 25% Motorized Outside Air Damper
(Mounts Over Horizontal Return Air Opening)**

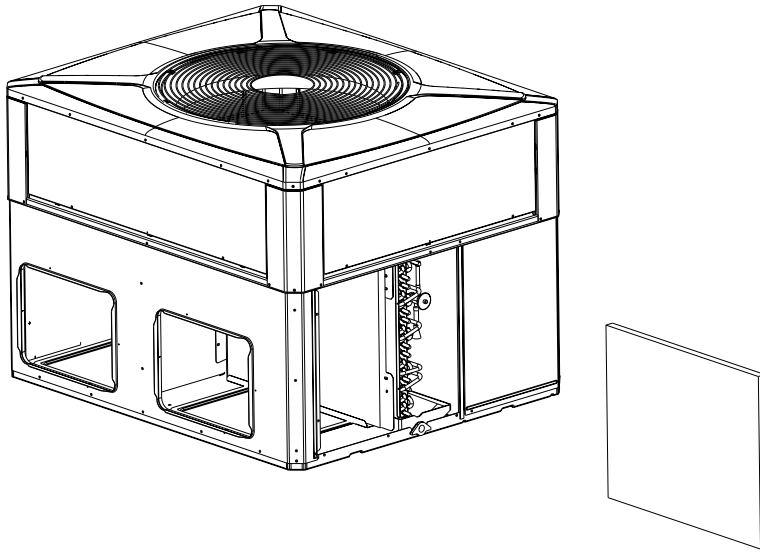
	Manual Fresh Air Model	Unit Application Models	A	B	C	D	E
	BAYDM-PR101A	2.0 – 3.0 Ton	15-13/16"	11-13/16"	10-1/4"	11-1/2"	12-1/4"
BAYDM-PR102A	3.5 – 5.0 Ton	18-3/16"	15-1/8"	10-1/4"	11-1/2"	12-1/4"	

Note: The drawings on this page are prepared by the manufacturer in order to provide detail regarding job layout only. These drawings are not intended to be used as a basis to construct, build or modify the items depicted in the drawings. The manufacturer is not responsible for the unauthorized use of these drawings and expressly disclaims any liability for damages resulting from such unauthorized use.

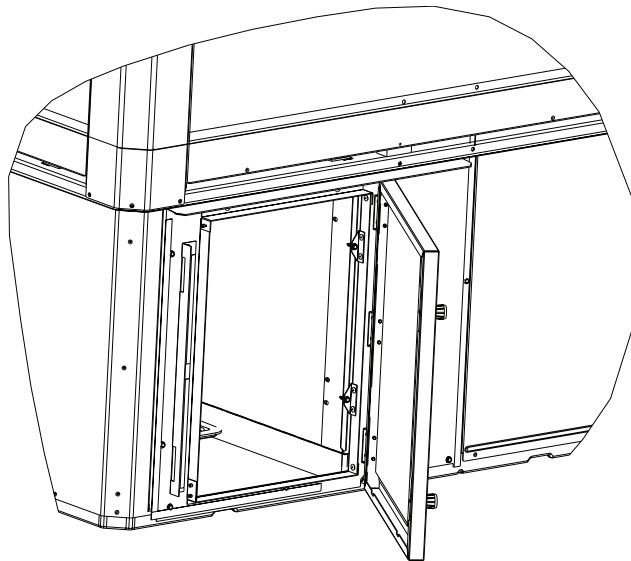


Optional Equipment — Filter Rack

**Figure 9. BAYFLTR101 Filter Rack (2.0 – 3.0 Ton Models)
BAYFLTR201 (3.5 – 5.0 Ton Models)
(Mounts in Filter/Coil Section)**



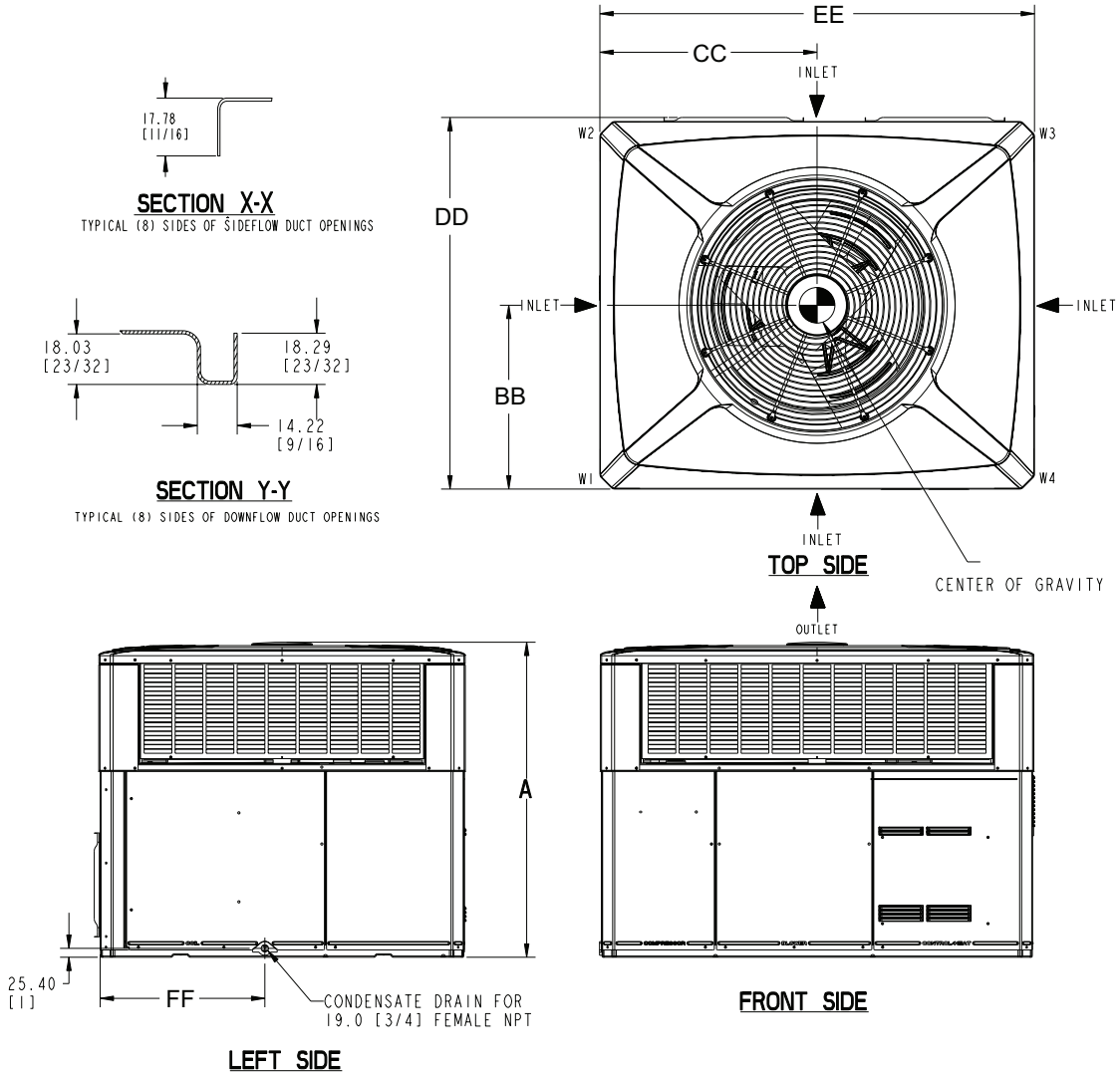
**Figure 10. BAYACCDOR1A Hinged Filter Access Door (2.0 – 3.0 Ton Models)
BAYACCDOR2A (3.5 – 5.0 Ton Models)
Replaces Filter/Coil Access Panel**



Note: The drawings on this page are prepared by the manufacturer in order to provide detail regarding job layout only. These drawings are not intended to be used as a basis to construct, build or modify the items depicted in the drawings. The manufacturer is not responsible for the unauthorized use of these drawings and expressly disclaims any liability for damages resulting from such unauthorized use.

Outline Drawings

Figure 11. 2 - 5 Ton Models



	2 - 3 TON Units		3.5 - 5 TON Units	
	RECOMMENDED SERVICE CLEARANCE mm [Inches]			
	W/ ECONOMIZER	W/ ECONOMIZER	W/ ECONOMIZER	W/ ECONOMIZER
BACK SIDE	305 [12]	762 [30]	305 [12]	762 [30]
LEFT SIDE	762 [30]	914 [36]	914 [36]	1067 [42]
RIGHT SIDE	610 [24]	-	610 [24]	-
FRONT SIDE	1067 [42]	-	762 [30]	-
	CLEARANCE TO COMBUSTIBLE MATERIAL mm [Inches]			
BOTTOM	0		0	
BACK SIDE	25 [1]		25 [1]	
LEFT SIDE	152 [6]		152 [6]	
RIGHT SIDE	152 [6]		152 [6]	
FRONT SIDE	305 [12]		305 [12]	
TOP	914 [36]		914 [36]	
	DIMENSIONS mm [Inches]			
A	HEIGHT OF UNIT - TABLE NEXT PAGE			
BB	CENTER OF GRAVITY - TABLE NEXT PAGE			
CC	CENTER OF GRAVITY - TABLE NEXT PAGE			
DD -Depth	1049.02 [41-5/16]		1125.22 [44-5/16]	
EE -Width	1240.28 [48-27/32]		1487.17 [58-9/16]	
FF	497.8 [19-5/8]		576.00 [22-11/16]	

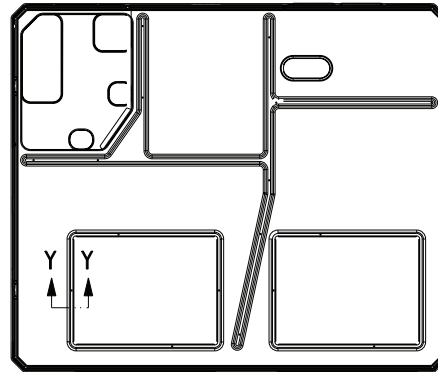
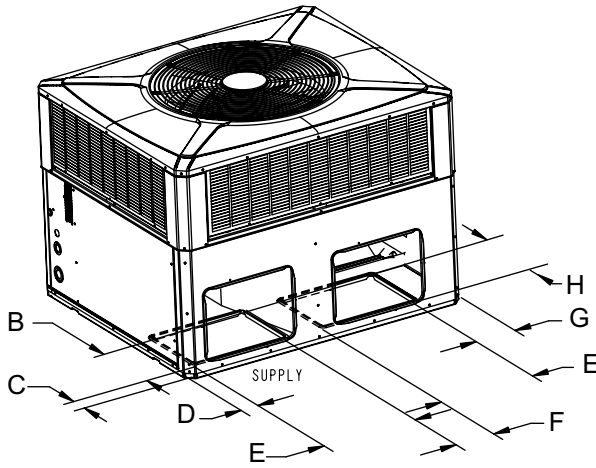
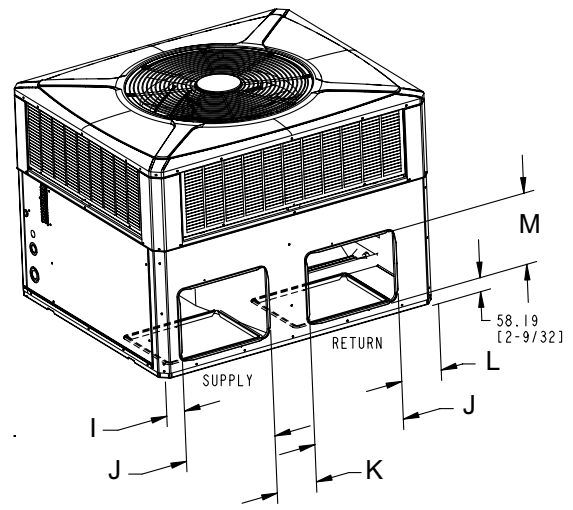


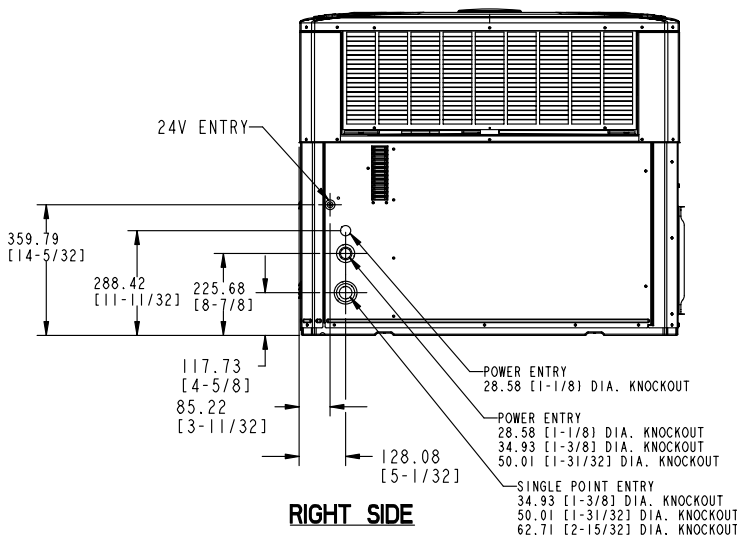
Figure 12. 2 - 5 Ton Models



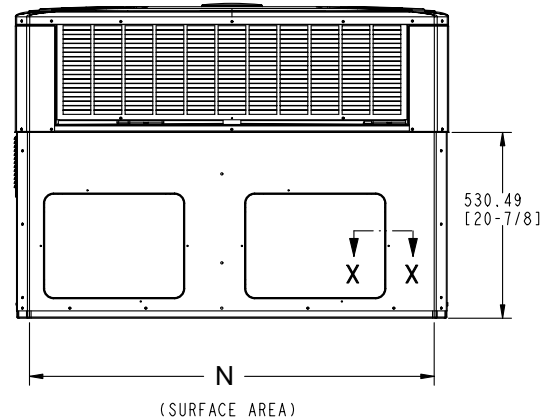
BOTTOM DUCT OPENINGS



BACK DUCT OPENINGS



RIGHT SIDE



BACK SIDE

	Height mm[in]	PHYSICAL DIMENSIONS mm[in]												
	A-Height	B	C	D	E	F	G	H	I	J	K	L	M	N
4WCC4024	898.53 [35.38]	304.80 [12]	75.41 [2.93]	75.41 [2.93]	406.40 [16]	167.89 [6.61]	173.46 [16]	304.80 [6.8]	79.50 [3.13]	398.22 [15.68]	176.07 [6.93]	177.55 [6.99]	296.62 [11.68]	1155.45 [45.49]
4WCC4030	949.33 [37.38]													
4WCC4036	1000.13 [39.38]													
4WCC4042	1050.93 [41.38]	457.20 [18]	75.41 [2.97]	75.41 [2.97]	381.00 [15]	244.09 [9.61]	318.75 [12.55]	381.00 [15]	79.50 [3.13]	449.02 [17.68]	176.07 [6.93]	322.84 [12.71]	372.82 [14.68]	1402.34 [55.21]
4WCC4048	1050.93 [41.38]													
4WCC4060	1050.93 [41.38]													

	Corner Weights KG/LBS				SHIPPING WEIGHT KG/LBS	UNIT WEIGHT KG/LBS	Center Of Gravity mm[inch]	
	W1	W2	W3	W4			BB	CC
4WCC4024	52.9 [117]	33.3 [73]	24.1 [53]	38.3 [84]	182.3 [402]	148.6 [328]	430 [16.9]	565.3 [22.3]
4WCC4030	55.3 [122]	50.3 [110]	16.6 [37]	39.2 [86]	195.0 [430]	161.3 [355]	413.5 [16.3]	581 [22.9]
4WCC4036	59.6 [131]	37.3 [82]	26.6 [59]	41.7 [92]	199 [439]	165.3 [364]	430 [16.9]	535 [21.1]
4WCC4042	64.4 [142]	47.6 [105]	39.5 [87]	49.9 [110]	248.6 [547.9]	201.4 [444]	449.6 [17.7]	641.8 [25.3]
4WCC4048	68.9 [152]	40.8 [90]	30.8 [68]	52.2 [115]	240 [529]	192.8 [425]	414.0 [16.3]	414.0 [16.3]
4WCC4060	79.4 [175]	47.2 [104]	35.8 [79]	59.9 [132]	269.5 [594]	222.3 [490]	414.0 [16.3]	414.0 [16.3]



Mechanical Specifications

General

The units shall be horizontal airflow as shipped and convertible to downflow. All units shall be factory assembled, piped, internally wired and fully charged with refrigerant. Units shall be certified to UL Standard 1995. All units shall be factory run tested to check cooling operation, fan and blower rotation and control or TXV sequence. Units shall be designed to operate at ambient temperatures between 115°F and 55°F in cooling as manufactured. Cooling performance shall be rated in accordance with AHRI standards.

Unit Casing

All components shall be mounted in a weather-resistant steel cabinet with an enamel finish. Access panels shall be provided for unit controls and indoor coil and fans. Indoor air section compartment shall be completely insulated with fireproof, permanent, odorless fiber material. Knockouts shall be provided for utility and control connections. Drain connections shall be provided to accommodate indoor water runoff.

Compressor

The compressor shall be hermetically sealed, high efficiency scroll compressors. Internal overcurrent and over temperature protection, internal pressure relief shall be standard. Other features include centrifugal oil pump, low vibration and noise.

Refrigeration System

All units shall have refrigerant control. Service pressure tap ports and a refrigerant line filter shall be standard.

Evaporator Coil Internally enhanced 3/8" OD seamless copper tubing mechanically bonded to aluminum fins, factory pressure tested at 480 PSIG and leak tested at 250 to 300 PSIG. All units have TXV to control refrigerant flow.

Condenser Coil

The Spine Fin™ condenser coil shall be continuously wrapped, corrosion resistant all aluminum with minimum brazed joints. This coil is 3/8" OD seamless aluminum tubing glued to a continuous aluminum fin. Coils are lab tested to withstand 2,000 pounds of pressure per square inch. The outdoor coil provides low airflow resistance and efficient heat transfer. The coil is protected on all four sides by louvered panels.

Indoor Air Fan

Constant Torque, forward-curved, centrifugal wheel in a Composite Vortica® Blower housing. Motor shall have thermal overload protection and permanently lubricated motor bearings. Motor/blower assembly isolated from unit with rubber mounts.

Outdoor Fan

One direct-drive, statically and dynamically balanced propeller fan shall be used in a draw-through vertical discharge configuration. Permanently lubricated weather proof motor shall have built-in thermal overload protection.

System Controls

System controls include condenser fan, evaporator fan and compressor contactors.

Accessories Roof Curb

The roof curb shall be designed to mate with the unit and provide support and complete weathertight installation when properly installed. Adhesive back polyurethane sealing strips shall be provided to ensure an airtight seal between supply and return openings of the curb and unit. The roof curb design allows field fabricated ductwork to be connected directly to the curb. Curb ships knocked down for field assembly, and includes factory installed wood nailer strips.



Mechanical Specifications

Electric Heaters

Each heater assembly shall include power supply fusing if over 48 amps, automatic resetting limit switches and heat limiters for thermal protection. Heaters shall be provided with polarized plugs for quick connection to unit low voltage wiring. Electric heat modules shall be UL listed.

Single Source Power Entry

This accessory when used with electric heat accessory shall allow single source power connection to unit and heater combination. Single source power entry kits shall have specific matching heater(s). Kit shall include high voltage terminal blocks, fuse blocks and fuses, cut-to-length interconnecting wiring, and junction box (if required) to provide power sources with fuse protection as required for both the unit and accessory heater. Kit components shall install within the heater cabinet in the heater access section. Single source branch power circuit shall be protected and wired in accordance with local codes.

Fully Modulating Economizer

This accessory shall be field installed and be composed of the following items: 0–100 % fresh air damper, damper drive motor, fixed dry bulb enthalpy control, and low voltage pigtails for electrical connections. Solid state enthalpy or differential enthalpy control is optional. Economizer operations shall be controlled by the preset position of the enthalpy control. A barometric relief damper shall be standard with the economizer and provide a pressure operated damper that shall be gravity closing and prohibit entrance of outside air on equipment "off" cycle. Economizer requires BAYRLAY004A relay kit to interface the economizer to the heat pump.

Manual Outside Air Dampers

Rain hood and screen shall be field installed. Suitable for up to 25% outside air.

Start Kit

Extra compressor starting capacity for single phase equipment.

Control Options

Standard Indoor Thermostats

Two stage heating/cooling or one stage heating/cooling thermostats shall be available in either manual or automatic changeover.

Programmable Electronic Night Setting Thermostat

Programmable electronic thermostat shall provide heating setback and cooling setup with 7–day programming capability. 1H/1C or 2H/2C models available.



Trane - by Trane Technologies (NYSE: TT), a global innovator - creates comfortable, energy efficient indoor environments for commercial and residential applications. For more information, please visit trane.com or tranetechnologies.com.



The AHRI Certified mark indicates Trane U.S. Inc. participation in the AHRI Certification program. For verification of individual certified products, go to ahridirectory.org.

Trane has a policy of continuous data improvement and it reserves the right to change design and specifications without notice. We are committed to using environmentally conscious print practices.