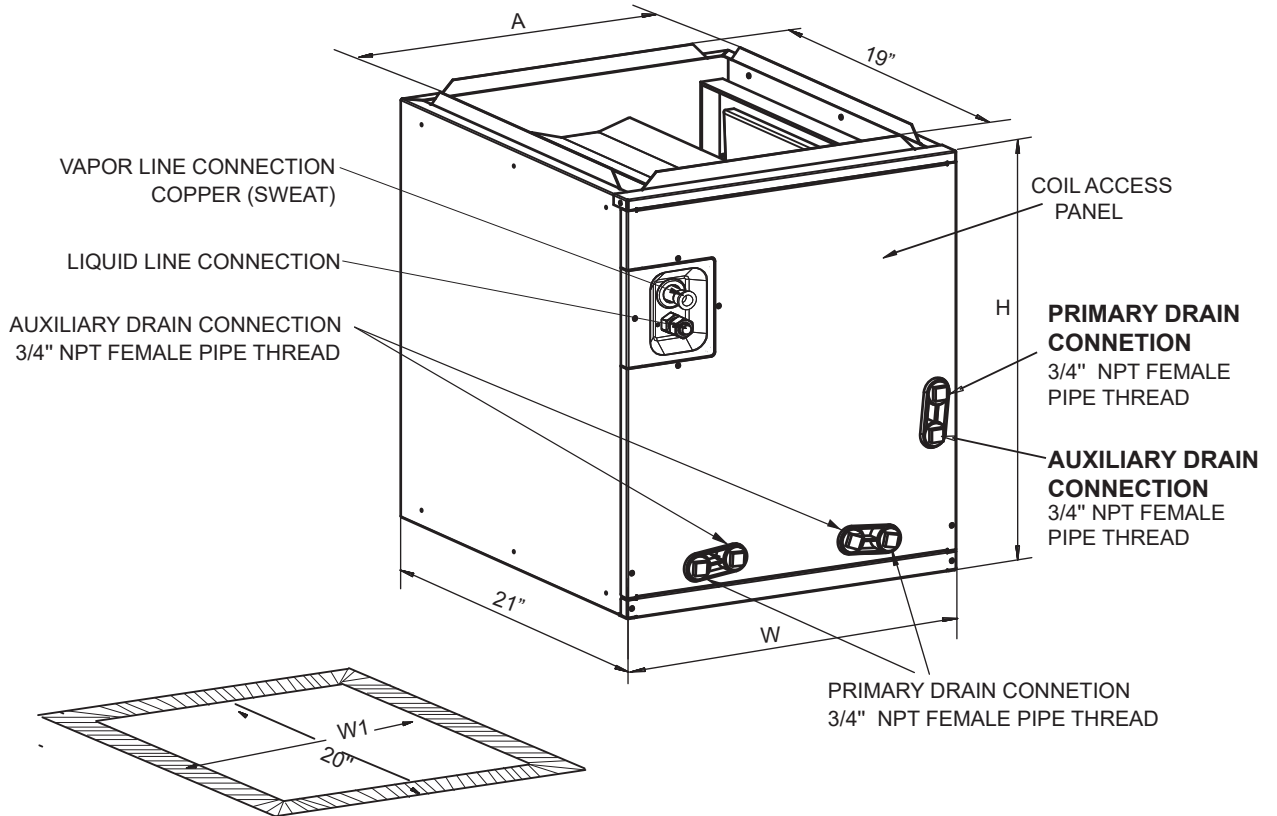


TAG: _____

SUBMITTAL

1-1/2 - 5 Ton Cased Aluminum Multi-Position



MODEL	4MXCA001AC6HCB 4MXCA003AC6HCB	4MXCB002AC6HCB 4MXCB004AC6HCB	4MXCC005AC6HCB	4MXCB006AC6HCB	4MXCC007AC6HCB	4MXCD008AC6HCB
WEIGHT (LBS.)	40	43	46	53	57	59
REFRIGERANT CONTROL	Piston					
HEIGHT "H" (IN.)	20	20	20	26	26	26
OVERALL WIDTH "W" (IN.)	14-1/2	17-1/2	21	17-1/2	21	24-1/2
OPENING WIDTH "W1" (IN.)	13-1/2	16-1/2	20	16-1/2	20	23-1/2
TOP OPENING "A"	13	16	19-1/2	16	19-1/2	23
GAS CONNECTION	3/4	3/4	3/4	7/8	7/8	7/8
LIQUID CONNECTION	3/8	3/8	3/8	3/8	3/8	3/8
MATCHED FURNACE WIDTH (NO ADAPTER REQUIRED)	14-1/2	17-1/2	21	17-1/2	21	24-1/2
DRAIN PAN	PLASTIC					

MODEL	4MXCC009AC6HCB	4MXCD010AC6HCB	4MXCB016AC6HCB	4MXCB017AC6HCB	4MXCC018AC6HCB
WEIGHT (LBS.)	76	80	69	73	77
REFRIGERANT CONTROL	Piston				
HEIGHT "H" (IN.)	30	30	30	30	30
OVERALL WIDTH "W" (IN.)	21	24-1/2	17-1/2	21	24-1/2
OPENING WIDTH "W1" (IN.)	20	23-1/2	16-1/2	20	23-1/2
TOP OPENING "A"	19-1/2	23	16	19-1/2	23
GAS CONNECTION	7/8	7/8	7/8	7/8	7/8
LIQUID CONNECTION	3/8	3/8	3/8	3/8	3/8
MATCHED FURNACE WIDTH (NO ADAPTER REQUIRED)	21	24-1/2	17-1/2	21	24-1/2
DRAIN PAN	PLASTIC				

**PRODUCT SPECIFICATIONS^[1] -- 4MXC - SPLIT SYSTEM HE AT PUMP / COOLING CASED
MULTI-POSITION COMFORT™ COILS**

Model	4MXCA001AC6HCB	4MXCB002AC6HCB	4MXCA003AC6HCB
INDOOR COIL -- Type	PLATE FIN	PLATE FIN	PLATE FIN
Rows / F.P.I.	4 / 17	4 / 17	4 / 17
Face Area (sq.ft.)	3.85	3.85	3.85
Tube Size	9/32	9/32	9/32
Refrigerant Control	Piston	Piston	Piston
Internal check valve	No	No	No
Drain Conn. Size (in.)	3/4 NPT	3/4 NPT	3/4 NPT
Duct Connections	See outline drawing	See outline drawing	See outline drawing
REFRIGERANT CONNECTIONS	R-410A BRAZED	R-410A BRAZED	R-410A BRAZED
Line Size -- Gas (in.)	3/4	3/4	3/4
Line Size -- Liquid (in.)	3/8	3/8	3/8
DIMENSIONS (in.)	H x W x D	H x W x D	H x W x D
Crated (H x W x D)	22-5/8 x 17-3/4 x 25	22-5/8 x 20-5/8 x 25	22-5/8 x 17-3/4 x 25
Uncrated	20 x 14-1/2 x 21	20 x 17-1/2 x 21	20 x 14-1/2 x 21
WEIGHT (lbs)			
Shipping -- Net	47 / 40	50 / 43	47 / 40

Model	4MXCB004AC6HCB	4MXCC005AC6HCB	4MXCB006AC6HCB
INDOOR COIL -- Type	PLATE FIN	PLATE FIN	PLATE FIN
Rows / F.P.I.	4 / 17	4 / 17	4 / 17
Face Area (sq.ft.)	3.85	3.85	5.01
Tube Size	9/32	9/32	9/32
Refrigerant Control	Piston	Piston	Piston
Internal check valve	No	No	No
Drain Conn. Size (in.)	3/4 NPT	3/4 NPT	3/4 NPT
Duct Connections	See outline drawing	See outline drawing	See outline drawing
REFRIGERANT CONNECTIONS	R-410A BRAZED	R-410A BRAZED	R-410A BRAZED
Line Size -- Gas (in.)	3/4	3/4	7/8
Line Size -- Liquid (in.)	3/8	3/8	3/8
DIMENSIONS (in.)	H x W x D	H x W x D	H x W x D
Crated (H x W x D)	22-5/8 x 20-5/8 x 25	22-5/8 x 24-1/8 x 25	28-1/2 x 20-5/8 x 25
Uncrated	20 x 17-1/2 x 21	20 x 21 x 21	26 x 17-1/2 x 21
WEIGHT (lbs)			
Shipping -- Net	50 / 43	55 / 46	61 / 53

Model	4MXCC007AC6HCB	4MXCD008AC6HCB	4MXCC009AC6HCB
INDOOR COIL -- Type	PLATE FIN	PLATE FIN	PLATE FIN
Rows / F.P.I.	4 / 17	4 / 17	4 / 17
Face Area (sq.ft.)	5.01	5.01	6.06
Tube Size	9/32	9/32	3/8
Refrigerant Control	Piston	Piston	Piston
Internal check valve	No	No	No
Drain Conn. Size (in.)	3/4 NPT	3/4 NPT	3/4 NPT
Duct Connections	See outline drawing	See outline drawing	See outline drawing
REFRIGERANT CONNECTIONS	R-410A BRAZED	R-410A BRAZED	R-410A BRAZED
Line Size -- Gas (in.)	7/8	7/8	7/8
Line Size -- Liquid (in.)	3/8	3/8	3/8
DIMENSIONS (in.)	H x W x D	H x W x D	H x W x D
Crated (H x W x D)	28-1/2 x 24-1/8 x 25	28-1/2 x 27-1/2 x 25	32-7/8 x 24 x 24-2/5
Uncrated	26 x 21 x 21	26 x 24-1/2 x 21	30 x 21 x 21
WEIGHT (lbs)			
Shipping -- Net	65 / 57	68 / 59	85 / 76

[1] These indoor coils are A.H.R.I. certified with various split system air conditioners and heat pumps (A.H.R.I. Standard 210/240). Refer to the Split System Outdoor product information site or www.ahrinet.org

**PRODUCT SPECIFICATIONS^[1] -- 4MXC - SPLIT SYSTEM HEAT PUMP / COOLING CASED
MULTI-POSITION COMFORT™ COILS**

Model	4MXCD010AC6HCB
INDOOR COIL -- Type	PLATE FIN
Rows / F.P.I.	4 / 17
Face Area (sq.ft.)	6.06
Tube Size	3/8
Refrigerant Control	Piston
Internal check valve	No
Drain Conn. Size (in.)	3/4 NPT
Duct Connections	See outline drawing
REFRIGERANT CONNECTIONS	R-410A BRAZED
Line Size -- Gas (in.)	7/8
Line Size -- Liquid (in.)	3/8
DIMENSIONS (in.)	H x W x D
Crated (H x W x D)	32-7/8 x 27-1/2 x 24-2/5
Uncrated	30 x 24-1/2 x 21
WEIGHT (lbs)	
Shipping -- Net	89 / 80

Model	4MXCB016AC6HCB	4MXCC017AC6HCB	4MXCD018AC6HCB
INDOOR COIL -- Type	PLATE FIN	PLATE FIN	PLATE FIN
Rows / F.P.I.	3 / 17	3 / 17	3 / 17
Face Area (sq.ft.)	6.06	6.06	6.06
Tube Size	3/8	3/8	3/8
Refrigerant Control	Piston	Piston	Piston
Internal check valve	No	No	No
Drain Conn. Size (in.)	3/4 NPT	3/4 NPT	3/4 NPT
Duct Connections	See outline drawing	See outline drawing	See outline drawing
REFRIGERANT CONNECTIONS	R-410A BRAZED	R-410A BRAZED	R-410A BRAZED
Line Size -- Gas (in.)	7/8	7/8	7/8
Line Size -- Liquid (in.)	3/8	3/8	3/8
DIMENSIONS (in.)	H x W x D	H x W x D	H x W x D
Crated (H x W x D)	32-7/8 x 24 x 24-2/5	32-7/8 x 24 x 24-2/5	32-7/8 x 27-1/2 x 24-2/5
Uncrated	30 x 17-1/2 x 21	30 x 21 x 21	30 x 24-1/2 x 21
WEIGHT (lbs)			
Shipping -- Net	77 / 68	82 / 72	86 / 75

[1] These indoor coils are A.H.R.I. certified with various split system air conditioners and heat pumps (A.H.R.I. Standard 210/240). Refer to the Split System Outdoor product information site or www.ahrinet.org

Piston Size	Piston Kit
0.052	MAYORIACHP0052B
0.058	MAYORIACHP0058B
0.063	MAYORIACHP0063B
0.065	MAYORIACHP0065A
0.070	MAYORIACHP0070B
0.075	MAYORIACHP0075B
0.083	MAYORIACHP0083B
0.090	MAYORIACHP0090B

Tons	R410A TXV Kit(If required)	R22 TXV Kit(If required)
1.5-3.0	4AYTXVH3G2436A	2AYTXVH3G2436A
3.5-4.0	4AYTXVH3G4248A	2AYTXVH3G4248A
5	4AYTXVH3G6000A	2AYTXVH3G6000A

PRESSURE DROP CHARACTERISTICS FOR COOLING AND HEAT PUMP COILS								
AIRFLOW (SCFM) VS. PRESSURE DROP ACROSS WET COIL								
PRESSURE DROP (INCHES OF WATER COLUMN)								
MODEL	0.05	0.1	0.15	0.2	0.25	0.3	0.35	0.4
4MXCA001AC6HCB	373	541	677	789	895	984	1068	1148
4MXCB002AC6HCB	412	625	789	926	1054	1166	1275	1375
4MXCA003AC6HCB	373	541	677	789	895	984	1068	1148
4MXCB004AC6HCB	412	625	789	926	1054	1166	1275	1375
4MXCC005AC6HCB	438	679	874	1035	1183	1320	1455	1568
4MXCB006AC6HCB	420	655	823	968	1095	1220	1336	1441
4MXCC007AC6HCB	492	759	956	1110	1274	1428	1551	1678
4MXCD008AC6HCB	510	776	985	1165	1328	1480	1622	1758
4MXCC009AC6HCB	450	658	830	988	1138	1286	1434	1593
4MXCD010AC6HCB	524	754	948	1125	1291	1453	1615	1785
4MXCB016AC6HCB	412	607	770	919	1063	1210	1368	1542
4MXCC017AC6HCB	550	788	978	1142	1290	1428	1558	1682
4MXCD018AC6HCB	610	876	1085	1265	1428	1580	1722	1858

Data based on wet coil with entering air at 80 degF DB / 67 degF WB without air filter.

Mechanical Specifications

General

The multi-position coils are designed for cooling and heat pump applications. The coil uses 9/32" and 3/8" seamless aluminum tubing mechanically bonded to aluminum plate fin.

Refrigerant for the 4MXC is controlled with a factory installed piston refrigerant control. Refrigerant connections are brazed fittings.

The coil cabinet has a removable front and interior access panel for evaporator coil entering air surface cleaning.

About Trane and American Standard Heating and Air Conditioning

Trane and American Standard create comfortable, energy efficient indoor environments for residential applications. For more information, please visit www.trane.com or www.americanstandardair.com.



The manufacturer has a policy of continuous data improvement and it reserves the right to change design and specifications without notice. We are committed to using environmentally conscious print practices.