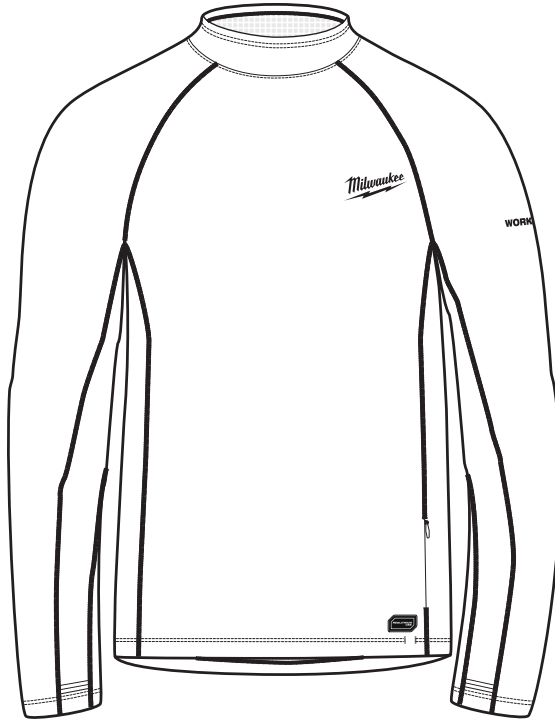




OPERATOR'S MANUAL
MANUEL de L'UTILISATEUR
MANUAL del OPERADOR



Cat. No. / No de cat.
405 Series, 48-59-2005

**REDLITHIUM® USB RECHARGEABLE HEATED BASE LAYER,
CHARGER/CONTROLLER, AND BATTERY PACK**
**COUCHE DE BASE CHAUFFANTE RECHARGEABLE USB
REDLITHIUM®, CHARGEUR/MANETTE ET BLOC-PILES**
**CAPA BASE CALENTADA RECARGABLE USB REDLITHIUM®,
CARGADOR/CONTROLADOR Y BATERÍA**



WARNING To reduce the risk of injury, user must read and understand operator's manual.

AVERTISSEMENT Afin de réduire le risque de blessures, l'utilisateur doit lire et bien comprendre le manuel.

ADVERTENCIA Para reducir el riesgo de lesiones, el usuario debe leer y entender el manual.

IMPORTANT SAFETY INSTRUCTIONS

WARNING READ AND UNDERSTAND ALL INSTRUCTIONS. Failure to follow all instructions listed below, may result in electric shock, fire and/or serious personal injury.

SAVE THESE INSTRUCTIONS

BATTERY AND CHARGER

- 1. THIS MANUAL CONTAINS IMPORTANT SAFETY AND OPERATING INSTRUCTIONS FOR THE REDLITHIUM® USB CHARGER AND REDLITHIUM® USB BATTERIES.**
- 2. CHARGE ONLY REDLITHIUM® USB BATTERIES IN THE REDLITHIUM® USB CHARGER. OTHER TYPES OF BATTERIES MAY CAUSE PERSONAL INJURY AND DAMAGE.**
- 3. BEFORE USING THE BATTERY AND CHARGER, READ THIS OPERATOR'S MANUAL, YOUR TOOL OPERATOR'S MANUAL, AND ALL LABELS ON THE BATTERY, CHARGER AND TOOL.**
- 4. USE ONLY WITH LISTED/CERTIFIED ITE POWER SUPPLY.** Others may result in a risk of fire, electric shock or personal injury.
- 5. AVOID DANGEROUS ENVIRONMENTS.** Do not charge battery in rain, snow, damp or wet locations. Do not use battery or charger in the presence of explosive atmospheres (gaseous fumes, dust or flammable materials) because sparks may be generated when inserting or removing battery, possibly causing fire.
- 6. CHARGE IN A WELL VENTILATED AREA.** Do not block charger vents. Keep them clear to allow proper ventilation. Do not allow smoking or open flames near a charging battery. Vented gases may explode.
- 7. MAINTAIN CORD.** When unplugging charger, pull plug rather than cord to reduce the risk of damage to the electrical plug and cord. Never carry charger by its cord. Keep cord from heat, oil and sharp edges. Make sure cord will not be stepped on, tripped over or subjected to damage or stress. Do not use charger with damaged cord or plug. Have a damaged charger replaced immediately.
- 8. USE ONLY RECOMMENDED ATTACHMENTS.** Use of an attachment not recommended or sold by the battery charger or battery manufacturer may result in a risk of fire, electric shock or personal injury.
- 9. TO REDUCE THE RISK OF ELECTRIC SHOCK,** always unplug charger before cleaning or maintenance.
- 10. DO NOT BURN OR INCINERATE BATTERY PACKS.** Battery may explode, causing personal injury or damage. Toxic fumes and materials are created when battery are burned.
- 11. DO NOT CRUSH, DROP, OR DAMAGE** battery. Do not use a battery or charger that has received a sharp blow, been dropped, run over, or damaged in any way (e.g., pierced with a nail, hit with a hammer, stepped on).

- 12. DO NOT DISASSEMBLE.** Incorrect reassembly may result in the risk of electric shock, fire or exposure to battery chemicals. If it is damaged, take it to a MILWAUKEE service facility.
- 13. BATTERY CHEMICALS CAUSE SERIOUS BURNS.** Never allow contact with skin, eyes, or mouth. If a damaged battery leaks battery chemicals, use rubber or neoprene gloves to dispose of it. If skin is exposed to battery fluids, wash with soap and water and rinse with vinegar. If eyes are exposed to battery chemicals, immediately flush with water for 20 minutes and seek medical attention. Remove and dispose of contaminated clothing.
- 14. DO NOT SHORT CIRCUIT.** A battery pack will short circuit if a metal object makes a connection between the positive and negative contacts on the battery pack. Do not place a battery pack near anything that may cause a short circuit, such as coins, keys or nails in your pocket. Do not allow fluids to flow into battery pack. Corrosive or conductive fluids, such as seawater, certain industrial chemicals, and bleach or bleach containing products, etc., can cause a short circuit. A short circuited battery pack may cause fire, personal injury, and product damage.
- 15. STORE YOUR BATTERY AND CHARGER** in a cool, dry place. Do not store battery where temperatures may exceed 120°F (50°C) such as in direct sunlight, a vehicle or metal building during the summer.

HEATED GEAR

WORK AREA SAFETY

- **Keep work area clean and well lit.** Cluttered or dark areas invite accidents.

ELECTRICAL SAFETY

- **Do not expose heated gear to rain or wet conditions.** Water will increase the risk of electric shock.
- **Do not abuse the power cable. Never use the cord for carrying, pulling or unplugging the heated gear. Keep cord away from heat, oil, sharp edges or moving parts.**

PERSONAL SAFETY

- **Stay alert, watch what you are doing and use common sense when using the heated gear. Do not use while you are tired or under the influence of drugs, alcohol or medication.** A moment of inattention may result in serious personal injury.

PRODUCT USE AND CARE

- **Do not use the heated gear if the power button does not turn it on and off.** Any heated gear that cannot be controlled with the power button is dangerous and must be repaired.
- **Disconnect the battery pack from the heated gear before storing.** Such preventive safety measures reduce the risk of starting the heated gear accidentally.
- **Store out of the reach of children and do not allow persons unfamiliar with these instructions to operate the heated gear.** Heated gear can be dangerous in the hands of untrained users.
- **Maintain heated gear. Check for breakage of parts and any other condition that may affect the heated gear's operation. If damaged, have the heated gear repaired before use.**

•Use the heated gear in accordance with these instructions, taking into account the working conditions and the work to be performed. Use of the heated gear for operations different from those intended could result in a hazardous situation.

SERVICE

•Have your heated gear serviced by a qualified repair person using only identical replacement parts. This will ensure that the safety of the heated gear is maintained.

SPECIFIC SAFETY RULES

Read instructions carefully.

Use:

- Do not use this heated gear with an infant, child, a helpless person, or anyone insensitive to heat, such as a person with poor blood circulation.
- If you have a medical condition making you sensitive to overheating, or you use any personal medical devices, consult the device manufacturer and/or your physician to determine if use of this product is appropriate.
- Never use if inner liner is wet.
- Heating elements are not recommended to touch bare skin.
- Shut off power immediately if discomfort occurs.
- Do not allow the cords to be pinched.
- If improper operation of this heated gear is observed, discontinue its use immediately and contact a MILWAUKEE service facility for repair.
- Do not use pins. They may damage the electric wiring.

Care:

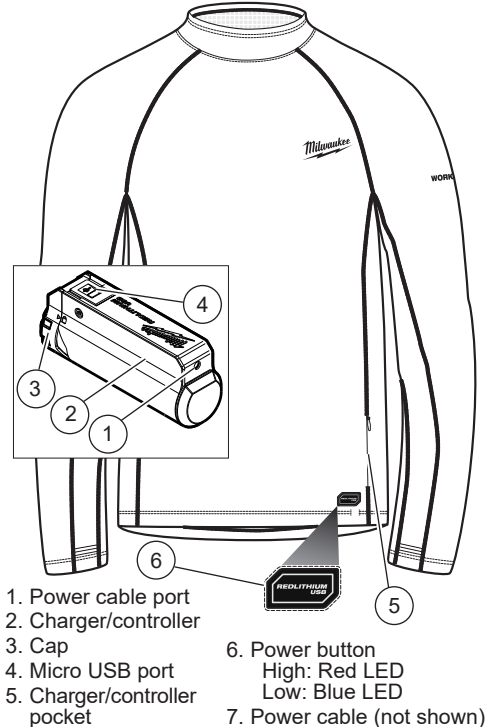
- Before washing, disconnect and remove battery pack and battery holder from battery holder pocket. Push the power cord completely into the battery holder pocket and fasten closed.
- Follow Care Instructions on heated gear tags. Machine wash, gentle cycle in cold water. Tumble dry low heat.
- Do not use bleach or fabric softener.
- Do not iron.
- Do not wring or twist.
- Do not dry clean. Do not use dry-cleaning fluid on this heated gear. Do not bleach. Cleaning solvents may have a deteriorating effect on the insulation of the heating element.
- Always use common sense and be cautious when using tools. It is not possible to anticipate every situation that could result in a dangerous outcome. Do not use this tool if you do not understand these operating instructions or you feel the work is beyond your capability; contact Milwaukee Tool or a trained professional for additional information or training.
- Maintain labels and nameplates. These carry important information. If unreadable or missing, contact a MILWAUKEE service facility for a free replacement.

SYMBOLOLOGY

	Volts
	Direct Current
	Amps
	Machine wash cold, gentle cycle
	Tumble dry, low heat
	Do not use bleach or fabric softener
	Do not iron
	Do not wring or twist
	Do not dry-clean
	Read Operators Manual
	Properly Recycle Batteries

BFP Backfeed Protected

FUNCTIONAL DESCRIPTION



**READ AND SAVE
ALL INSTRUCTIONS
FOR FUTURE
REFERENCE**

SPECIFICATIONS

Charger/Controller Cat. No.	48-59-2005
Input Volts.....	5 DC
Input Amps.....	0.1 - 2.1 A
Output Volts.....	4 DC
REDLITHIUM® USB Batteries	
Volts.....	4 DC
Operating Temperature	
Battery and Charger ..	40°F to 104°F (4°C to 40°C)
Battery and Tool.....	0°F to 149°F (-18°C to 65°C)
Power Supply Cat. No.	44-66-1202
Wall Plug Input Volts.....	120 AC
2 ft. USB Cable Cat. No.	44-66-1215

BATTERY

⚠WARNING To reduce the risk of fire, personal injury, and product damage due to a short circuit, never immerse your tool, battery pack or charger in fluid or allow a fluid to flow inside them. Corrosive or conductive fluids, such as seawater, certain industrial chemicals, and bleach or bleach containing products, etc., can cause a short circuit.

Maintenance and Storage

Do not expose your battery or cordless tools to water or rain, or allow them to get wet. This could damage the tool and battery. Do not use oil or solvents to clean or lubricate your battery. The plastic casing will become brittle and crack, causing a risk of injury. Store batteries at room temperature away from moisture. Do not store in damp locations where corrosion of terminals may occur. As with other battery types, permanent capacity loss can result if the pack is stored for long periods of time at high temperatures (over 120° F). MILWAUKEE Li-Ion batteries maintain their charge during storage longer than other battery types. After about a year of storage, charge the battery as normal.

⚠WARNING To reduce the risk of injury or explosion, never burn or incinerate a battery pack even if it is damaged, dead or completely discharged. When burned, toxic fumes and materials are created.

Disposing of MILWAUKEE Li-Ion Battery

MILWAUKEE Li-Ion batteries are more environmentally friendly than some other types of power tool batteries. Always dispose of your battery according to federal, state and local regulations. Contact a recycling agency in your area for recycling locations. Even discharged batteries contain some energy. Before disposing, use electrical tape to cover the terminals to prevent the battery from shorting, which could cause a fire or explosion.


RBRC Battery Recycling Seals

The RBRC™ Battery Recycling Seals (see "Symbology") on your batteries indicate that MILWAUKEE has arranged for the recycling of that battery with the Rechargeable Battery Recycling Corporation (RBRC). At the end of your battery's useful life, return the battery to a MILWAUKEE Branch Office/Service Center or the participating retailer nearest you. For more information, visit the RBRC web site at www.rbrc.org.

HEATED GEAR

⚠WARNING Use and charge only REDLITHIUM® USB batteries in this USB charger/controller. Other types of batteries may cause personal injury and damage.

Inserting the Battery

1. Twist the cap and remove.
2. Line up the arrow on the battery with the arrow in the compartment and fully insert the battery.
3. Insert the battery and twist the cap on securely 

When the battery is inserted, the indicator light will display the battery life:

- Red Flashing: 0-3% remaining
- Red Solid: 3-10% remaining
- Yellow Solid: 11-49% remaining
- Green Solid: 50-100% remaining

Charging the Battery

1. Plug your USB cable into a power source such as an AC wall adaptor, computer or car port.
2. Lift the rubber cover to expose the micro USB port. Insert the micro USB plug into the micro USB port.
3. The indicator light will display the charging status:
 - Red Solid: Charging, 0-79% charged
 - Green Flashing: Charging, 80-99% charged
 - Green Solid: 100% Charged
 - Red/Green Flashing: Damaged or Faulty Battery

If the light indicator flashes red and green, check that the battery is fully seated into the bay. Remove the battery and reinsert. If the light continues to flash red and green, the battery may be extremely hot or cold, or wet. Allow the battery to cool down, warm up, or dry out and then reinsert. If the problem persists, contact a MILWAUKEE service facility.

⚠WARNING To reduce the risk of injury, always unplug the charger and remove the battery from the charger before performing any maintenance. The charger and battery have no internal serviceable parts. Never disassemble the battery or charger.

Maintenance and Storage

Store your charger in a cool, dry place. As a general practice, it is best to unplug battery chargers and remove batteries when not in use. No battery damage will occur, however, if the charger and battery are left plugged in.

⚠WARNING To reduce the risk of injury and damage, never immerse your battery or charger in liquid or allow a liquid to flow inside them.

Cleaning

Clean out dust and debris from charger vents and electrical contacts by blowing with compressed air. Use only mild soap and a damp cloth to clean the battery and charger, keeping away from all electrical contacts. Certain cleaning agents and solvents are harmful to plastics and other insulated parts. Some of these include gasoline, turpentine, lacquer thinner, paint thinner, chlorinated cleaning solvents, ammonia and household detergents containing ammonia. Never use flammable or combustible solvents around batteries, charger, or tools.

OPERATION

Unzip the pocket and pull out the power cable. Plug the power cable into the port on the end of the charger/controller. Tuck the charger/controller into the pocket and zip closed.

To **turn on**, press and hold (1 to 2 seconds) the power button. The button will be turned to High and the red LED will light.

Temperature setting can be **adjusted** at any time by pressing the power button. Each press will cycle through the temperature settings.

To **turn off** the heated gear, press and hold (1 to 2 seconds) the power button. The LED will turn off.

If the heated gear turns off unexpectedly, check connections and charge the battery pack.

HEATED GEAR CARE

⚠WARNING To reduce the risk of injury, always **unplug the charger and remove the battery pack and charger/controller from the heated gear before performing any maintenance. Never disassemble the heated gloves, battery pack or charger. Contact a MILWAUKEE service facility for ALL repairs.**

If the heated gear does not start or operate properly with a fully charged battery pack, clean the contacts on the battery pack. If the heated gear still does not work properly, return the heated gear, charger and battery pack, to a MILWAUKEE service facility for repairs.

⚠WARNING To reduce the risk of personal injury and damage, **disconnect and remove battery pack and charger/controller from pocket before washing. Never immerse your charger/controller, battery pack, or charger in liquid or allow a liquid to flow inside them.**

To clean the heated gear:

1. Remove battery pack and battery holder.
2. Push the power cord completely into the battery holder pocket and fasten closed.
3. Machine wash, gentle cycle in cold water. Do not use bleach. Do not dry clean. Do not wring or twist.
4. Tumble dry on low heat. Do not iron.

SERVICE - UNITED STATES

1-800-SAWDUST (1.800.729.3878)

Monday-Friday, 7:00 AM - 6:30 PM CST
or visit www.milwaukeetool.com

Contact Corporate After Sales Service Technical Support with technical, service/repair, or warranty questions.

Email: metproductsupport@milwaukeetool.com

Become a Heavy Duty Club Member at www.milwaukeetool.com to receive important notifications regarding your tool purchases.

SERVICE - CANADA

Milwaukee Tool (Canada) Ltd
1.800.268.4015

Monday-Friday, 7:00 AM - 4:30 PM CST
or visit www.milwaukeetool.ca

LIMITED WARRANTY USA & CANADA

Every MILWAUKEE HEATED GEAR product (including its battery holder/controller) is warranted to the original purchaser only to be free from defects in material and workmanship. Subject to certain exceptions, MILWAUKEE will repair or replace any part on a Heated Gear product which, after examination, is determined by MILWAUKEE to be defective in material or workmanship for a period of one (1) year* after the date of purchase. Return of a Heated Gear product to a MILWAUKEE factory Service Center location, freight prepaid and insured, is required. A copy of the proof of purchase should be included with the return product. This warranty does not apply to damage that MILWAUKEE determines to be from repairs made or attempted by anyone other than MILWAUKEE personnel, misuse, alterations, abuse, normal wear and tear, or accidents.

*This warranty does not cover a M12™ LITHIUM-ION Battery Pack, a M12™ Charger, or a REDLITHIUM™ USB battery; there are separate and distinct warranties available for these products.

Warranty Registration is not necessary to obtain the applicable warranty on MILWAUKEE Heated Gear products. The manufacturing date of the product will be used to determine the warranty period if no proof of purchase is provided at the time warranty service is requested. ACCEPTANCE OF THE EXCLUSIVE REPAIR AND REPLACEMENT REMEDIES DESCRIBED HEREIN IS A CONDITION OF THE CONTRACT FOR THE PURCHASE OF EVERY MILWAUKEE PRODUCT. IF YOU DO NOT AGREE TO THIS CONDITION, YOU SHOULD NOT PURCHASE THE PRODUCT. IN NO EVENT SHALL MILWAUKEE BE LIABLE FOR ANY INCIDENTAL, SPECIAL, CONSEQUENTIAL OR PUNITIVE DAMAGES, OR FOR ANY COSTS, ATTORNEY FEES, EXPENSES, LOSSES OR DELAYS ALLEGED TO BE AS A CONSEQUENCE OF ANY DAMAGE TO, FAILURE OF, OR DEFECT IN ANY PRODUCT INCLUDING, BUT NOT LIMITED TO, ANY CLAIMS FOR LOSS OF PROFITS. SOME STATES DO NOT ALLOW THE EXCLUSION OR LIMITATION OF INCIDENTAL OR CONSEQUENTIAL DAMAGES, SO THE ABOVE LIMITATION OR EXCLUSION MAY NOT APPLY TO YOU. THIS WARRANTY IS EXCLUSIVE AND IN LIEU OF ALL OTHER EXPRESS WARRANTIES, WRITTEN OR ORAL. TO THE EXTENT PERMITTED BY LAW, MILWAUKEE DISCLAIMS ANY IMPLIED WARRANTIES, INCLUDING WITHOUT LIMITATION ANY IMPLIED WARRANTY OF MERCHANTABILITY OR FITNESS FOR A PARTICULAR USE OR PURPOSE; TO THE EXTENT SUCH DISCLAIMER IS NOT PERMITTED BY LAW, SUCH IMPLIED WARRANTIES ARE LIMITED TO THE DURATION OF THE APPLICABLE EXPRESS WARRANTY AS DESCRIBED ABOVE. SOME STATES DO NOT ALLOW LIMITATIONS ON HOW LONG AN IMPLIED WARRANTY LASTS, SO THE ABOVE LIMITATION MAY NOT APPLY TO YOU. THIS WARRANTY GIVES YOU SPECIFIC LEGAL RIGHTS, AND YOU MAY ALSO HAVE OTHER RIGHTS WHICH VARY FROM STATE TO STATE.

This warranty applies to product sold in the U.S.A. and Canada only. Please consult the 'Service Center Search' in the Parts & Service section of MILWAUKEE's website www.milwaukeetool.com or call 1.800.SAWDUST (1.800.729.3878) to locate your nearest MILWAUKEE factory Service Center location.

LIMITED WARRANTY USA & CANADA - BATTERY

Every MILWAUKEE REDLITHIUM USB battery and charger* is warranted to the original purchaser only to be free from defects in material and workmanship. Subject to certain exceptions, MILWAUKEE will repair or replace repair a REDLITHIUM USB battery or charger which, after examination, is determined by MILWAUKEE to be defective in material or workmanship for a period of two (2) years after the date of purchase unless otherwise noted. Return of the REDLITHIUM USB battery or charger to a MILWAUKEE factory Service Center location or MILWAUKEE Authorized Service Station, freight prepaid and insured, is required. For the proper shipping procedure of battery packs, contact 1.800.SAWDUST (1.800.729.3878), or go to www.milwaukeetool.com. A copy of the proof of purchase should be included with the return product. This warranty does not apply to damage that MILWAUKEE determines to be from repairs made or attempted by anyone other than MILWAUKEE authorized personnel, misuse, alterations, abuse, normal wear and tear, lack of maintenance, or accidents.

Normal Wear: This warranty does not cover repair or replacement when normal use has exhausted the life of a part including, but not limited to charging cables, and wall plugs.

*This warranty does not cover any cordless product sold with the REDLITHIUM USB battery and/or charger. There are separate and distinct warranties available for these products.

ACCEPTANCE OF THE EXCLUSIVE REPAIR AND REPLACEMENT REMEDIES DESCRIBED HEREIN IS A CONDITION OF THE CONTRACT FOR THE PURCHASE OF EVERY MILWAUKEE PRODUCT. IF YOU DO NOT AGREE TO THIS CONDITION, YOU SHOULD NOT PURCHASE THE PRODUCT. IN NO EVENT SHALL MILWAUKEE BE LIABLE FOR ANY INCIDENTAL, SPECIAL, CONSEQUENTIAL OR PUNITIVE DAMAGES, OR FOR ANY COSTS, ATTORNEY FEES, EXPENSES, LOSSES OR DELAYS ALLEGED TO BE AS A CONSEQUENCE OF ANY DAMAGE TO, FAILURE OF, OR DEFECT IN ANY PRODUCT INCLUDING, BUT NOT LIMITED TO, ANY CLAIMS FOR LOSS OF PROFITS. SOME STATES DO NOT ALLOW THE EXCLUSION OR LIMITATION OF INCIDENTAL OR CONSEQUENTIAL DAMAGES, SO THE ABOVE LIMITATION OR EXCLUSION MAY NOT APPLY TO YOU. THIS WARRANTY IS EXCLUSIVE AND IN LIEU OF ALL OTHER EXPRESS WARRANTIES, WRITTEN OR ORAL, TO THE EXTENT PERMITTED BY LAW, MILWAUKEE DISCLAIMS ANY IMPLIED WARRANTIES, INCLUDING WITHOUT LIMITATION ANY IMPLIED WARRANTY OF MERCHANTABILITY OR FITNESS FOR A PARTICULAR USE OR PURPOSE, TO THE EXTENT SUCH DISCLAIMER IS NOT PERMITTED BY LAW, SUCH IMPLIED WARRANTIES ARE LIMITED TO THE DURATION OF THE APPLICABLE EXPRESS WARRANTY AS DESCRIBED ABOVE. SOME STATES DO NOT ALLOW LIMITATIONS ON HOW LONG AN IMPLIED WARRANTY LASTS, SO THE ABOVE LIMITATION MAY NOT APPLY TO YOU. THIS WARRANTY GIVES YOU SPECIFIC LEGAL RIGHTS, AND YOU MAY ALSO HAVE OTHER RIGHTS WHICH VARY FROM STATE TO STATE.

This warranty applies to product sold in the U.S.A. and Canada only. Please consult the Find a Service Center Search in the Parts & Service section of MILWAUKEE's website www.milwaukeeool.com or call 1.800.SAWDUST (1.800.729.3878) to locate your nearest MILWAUKEE factory Service Center location.

LIMITED WARRANTY - MEXICO, CENTRAL AMERICA & CARIBBEAN

TECHTRONIC INDUSTRIES' warranty is for 1 year since the original purchase date.

This warranty card covers any defect in material and workmanship on this Product.

To make this warranty valid, present this warranty card, sealed/stamped by the distributor or store where you purchased the product, to the Authorized Service Center (ASC). Or, if this card has not been sealed/stamped, present the original proof of purchase to the ASC. Call 55 4160-3547 to find the nearest ASC, for service, parts, accessories or components.

Procedure to make this warranty valid

Take the product to the ASC, along with the warranty card sealed/stamped by the distributor or store where you purchased the product, and any faulty piece or component will be replaced without cost for you. We will cover all freight costs relative with this warranty process.

Exceptions

This warranty is not valid in the following situations

- When the product is used in a different manner from the end-user guide or instruction manual.
- When the conditions of use are not normal.
- When the product was modified or repaired by people not authorized by TECHTRONIC INDUSTRIES.

Note: If cord set is damaged, it should be replaced by an Authorized Service Center to avoid electric risks.

SERVICE AND ATTENTION CENTER
Call to 55 4160-3547

IMPORTED AND COMMERCIALIZED BY
TECHTRONIC INDUSTRIES MEXICO, S.A. DE C.V.
Miguel de Cervantes Saavedra No.301 Piso 5, Torre Norte
11520 Colonia Ampliación Granada
Miguel Hidalgo, Ciudad de Mexico, Mexico

Model: _____

Date of Purchase: _____

Distributor or Store Stamp: _____

RÈGLES IMPORTANTES DE SECURITÉ

AVERTISSEMENT **LIRE ET COMPRENDRE TOUTES LES INSTRUCTIONS.** Le non-respect des instructions ci-après peut entraîner des chocs électriques, des incendies et/ou des blessures graves.

CONSERVER CES INSTRUCTIONS

BLOC-PILES ET CHARGEUR

- CE MANUEL CONTIENT DES CONSIGNES DE SÉCURITÉ ET LE MODE D'EMPLOI DU BLOC-PILES REDLITHIUM® AVEC CHARGEUR USB ET REDLITHIUM® BLOC-PILES.**
- CHARGER UNIQUEMENT LE BLOC-PILES REDLITHIUM® USB AVEC LE CHARGEUR USB REDLITHIUM®. LES PILES D'AUTRES TYPES PEUVENT CAUSER DES DOMMAGES ET DES BLESSURES.**
- AVANT D'UTILISER LE BLOC-PILES ET LE CHARGEUR, LIRE LE PRÉSENT MANUEL D'UTILISATION, LE MANUEL D'UTILISATION DE VOTRE OUTIL, AINSI QUE TOUTES LES ÉTIQUETTES SE TROUVANT SUR LE BLOC-PILES, LE CHARGEUR ET L'OUTIL.**
- UTILISER UNIQUEMENT UNE ALIMENTATION ÉLECTRIQUE RÉPERTORIÉE ET CERTIFIÉE ITE.** L'utilisation d'autres alimentations peut causer un risque d'incendie, de choc électrique ou de blessure.
- ÉVITER LES ENVIRONNEMENTS DANGEREUX.** Ne pas charger le bloc-piles sous la pluie, la neige, dans un endroit humide ou mouillé. Ne pas utiliser le bloc-piles ou le chargeur dans un endroit propice à la présence de matières explosives (fumées gazeuses, poussières ou matériaux inflammables) car l'insertion ou le retrait du bloc-piles pourrait alors créer des étincelles et entraîner un incendie.
- CHARGER DANS UN ENDROIT BIEN VENTILÉ.** Ne pas bloquer les orifices d'aération du chargeur. S'assurer qu'ils ne sont pas obstrués afin de permettre une ventilation appropriée. Ne pas fumer ou utiliser des flammes nues à proximité d'un bloc-piles en charge. Les gaz ventilés peuvent exploser.
- ENTRETIENIR LE CORDON DU CHARGEUR.** Pour le débranchement du chargeur, tirer sur la fiche plutôt que sur le cordon pour réduire le risque de dommages à la prise ou au cordon électrique. Ne jamais transporter le chargeur par son cordon. Garder le cordon à l'écart de la chaleur, de l'huile et des objets tranchants. S'assurer que le cordon n'est pas piétiné, accroché, endommagé ou malmené. Ne pas utiliser le chargeur si le cordon ou la fiche est endommagé(e). Remplacer immédiatement le chargeur s'il est endommagé.

8. UTILISER EXCLUSIVEMENT LES ACCES-

SOIRES RECOMMANDÉS. L'utilisation d'un accessoire non recommandé ou vendu par le fabricant du chargeur ou du bloc-piles peut causer un risque d'incendie, de choc électrique ou de blessure.

9. POUR RÉDUIRE LE RISQUE DE CHOC ÉLEC-

TRIQUE, toujours débrancher le chargeur avant de procéder à un nettoyage ou un entretien.

10. NE PAS BRÛLER OU INCINÉRER LES

BLOCS-PILES. Les blocs-piles peuvent exploser, causant des dommages et des blessures. Des fumées et des matières toxiques se dégagent des blocs-piles lorsqu'ils sont brûlés.

11. NE PAS ÉCRASER, LAISSER TOMBER OU EN-

DOMMAGER LE BLOC-PILES. Ne pas utiliser un bloc-piles ou un chargeur qui a reçu un choc violent, est tombé ou a été écrasé ou endommagé de quelque façon que ce soit (p. ex., percé par un clou, frappé d'un coup de marteau, piétiné).

12. NE PAS DÉSAMBLER LE PRODUIT.

Un remontage incorrect peut entraîner des risques de choc électrique, d'incendie ou d'exposition à des produits toxiques. En cas de dommage, confier le produit à un centre de service MILWAUKEE.

13. LES PRODUITS CHIMIQUES DES BLOCS-

PILES PROVOQUENT DES BRÛLURES GRAVES. Éviter tout contact avec la peau, les yeux ou la bouche. Si des produits chimiques fuient d'un bloc-piles endommagé, porter des gants de caoutchouc ou en néoprène pour le manipuler. Si la peau est exposée à du liquide du bloc-piles, laver à l'eau et au savon et rincer avec du vinaigre. Si les yeux sont exposés aux produits chimiques d'un bloc-piles, immédiatement rincer abondamment à l'eau pendant 20 minutes et consulter un médecin. Retirer et jeter au rebut les vêtements contaminés.

14. ATTENTION AUX COURTS-CIRCUITS!

Un bloc-piles court-circuite si un objet métallique établit une connexion entre les contacts positifs et négatifs sur le bloc-piles. Ne placez pas un bloc-piles près de tout ce qui peut causer un court-circuit, comme des pièces de monnaie, des clés ou des clous dans votre poche. Ne pas laisser les fluides s'écouler dans le bloc-piles. Les fluides corrosifs ou conducteurs, tels que l'eau de mer, certains produits chimiques industriels, les produits de blanchiment ou de blanchiment, etc., peuvent provoquer un court-circuit. Un bloc-batterie court-circuité peut provoquer des incendies, des blessures corporelles et des dommages au produit.

15. ENTREPOSER VOTRE BLOC-PILES ET

CHARGEUR dans un endroit frais et sec. Ne pas entreposer le bloc-piles dans des endroits où la température peut dépasser 50 °C (120 °F), par exemple, un endroit exposé directement à la lumière du soleil, un véhicule ou une construction en métal pendant l'été.

VÊTEMENTS CHAUFFANTS

SÉCURITÉ DU LIEU DE TRAVAIL

• **Conservez l'aire de travail propre et bien éclairée.** Le désordre et le manque de lumière favorisent les accidents.

SÉCURITÉ ÉLECTRIQUE

- **Ne pas exposer la vêtements chauffants à la pluie ou à l'humidité.** L'eau accroît le risque de décharge électrique.
- **Ne pas malmenier le cordon d'alimentation.** Ne jamais utiliser le cordon pour transporter, tirer ou débrancher la vêtements chauffants. Tenir le cordon loin de la chaleur, de l'huile, des rebords tranchants et des pièces en mouvement.

SÉCURITÉ INDIVIDUELLE

- **Rester vigilant, se concentrer sur son travail et faire preuve de bon sens au moment d'utiliser la vêtements chauffants.** Ne pas utiliser cet appareil en cas de fatigue ou sous l'influence de l'alcool, de drogues ou de médicaments. Un moment d'inattention peut se solder par une blessure grave.

PRODUCTO DE USO Y CUIDADO

- **Ne pas utiliser la vêtements chauffants si le bouton « On/Off » (Marche/arrêt) ne permet pas de l'allumer ou de l'éteindre.** Une unité qui ne peut être commandée à l'aide du bouton « On/Off » (Marche/arrêt) est dangereuse et doit être réparée.
- **Débrancher le bloc-piles de la vêtements chauffants avant de l'entreposer.** De telles mesures de sécurité préventive réduisent le risque de démarrage accidentel de la vêtements chauffants.
- **Entreposer le produit hors de la portée des enfants et interdire à des personnes non familiarisées avec ces instructions de l'utiliser.** La vêtements chauffants est dangereuse dans les mains d'utilisateurs novices.
- **Entretenir la évêtements chauffants. Repérer tout bris ou toute autre condition nuisible au fonctionnement de la évêtements chauffants.** En cas de dommages, faire réparer la engins chauffante avant de l'utiliser.
- **Utiliser la vêtements chauffants conformément à ces instructions en tenant compte des conditions de travail et de la tâche à effectuer.** L'utilisation de ce produit pour des tâches pour lesquelles il n'est pas conçu peut créer une situation dangereuse.

ENTRETIEN

- **Confier la réparation de la vêtements chauffants à un réparateur qualifié qui utilise des pièces de rechange identiques aux pièces d'origine,** ce qui préservera la sûreté du produit.

RÈGLES DE SÉCURITÉ SPÉCIFIQUES

Lire les instructions attentivement.

Utilisation :

- **Ne pas utiliser cette vêtements chauffants pour un bébé, un enfant, une personne impotente ou quiconque est insensible à la chaleur, comme quelqu'un ayant une mauvaise circulation sanguine.**
- **Si vous souffrez d'une maladie qui vous rend sensible à la surchauffe, ou si vous utilisez un dispositif médical personnel, consultez le fabricant du dispositif et/ou votre médecin afin de déterminer si l'utilisation de ce produit vous est appropriée.**
- **Ne jamais utiliser le produit si la doublure intérieure est mouillée.**

- Il n'est pas recommandé que les éléments chauffants touchent la peau nue.
- Couper immédiatement l'alimentation en cas d'inconfort.
- Éviter de coincer les cordons.
- Si la vêtements chauffants fonctionne mal, cesser immédiatement de l'utiliser et communiquer avec un centre de service MILWAUKEE aux fins de réparation.
- Ne pas installer d'épinglette. Elles risquent d'endommager le câblage électrique.

Entretien :

- Débrancher le bloc-piles et le retirer, avec le porte piles, de leur pochette avant de laver la vêtements chauffants. Veuillez enfoncez complètement le cordon d'alimentation dans le porte-pile et refermez-le.
- Suivez les consignes d'entretien sur la vêtements chauffants. Lavage en machine froid, cycle doux. Sèche-linge basse température.
- Ne pas blanchir ou d'adoucisseur de tissu.
- Ne pas repasser.
- Ne pas tordre.
- Ne pas nettoyer à sec. Ne pas utiliser un liquide de nettoyage à sec avec ce vêtement. Ne pas blanchir. Les solvants de nettoyage peuvent détériorer l'isolation de l'élément chauffant.
- Toujours faire preuve de bons sens et procéder avec prudence lors de l'utilisation d'outils. C'est impossible de prévoir toutes les situations dont le résultat est dangereux. Ne pas utiliser cet outil si vous ne comprenez pas ces instructions d'opération ou si vous pensez que le travail dépasse votre capacité ; veuillez contacter Milwaukee Tool ou un professionnel formé pour recevoir plus d'information ou formation.
- Maintenir en l'état les étiquettes et les plaques d'identification. Des informations importantes y figurent. Si elles sont illisibles ou manquantes, contacter un centre de services et d'entretien MILWAUKEE pour un remplacement gratuit.

LIRE ET CONSERVER TOUTES LES INSTRUCTIONS POUR RÉFÉRENCE FUTURE

SPÉCIFICATIONS

No de Cat. chargeur/manette.....	48-59-2005
Tension d'entrée	5 CD
Ampérage d'entrée	0,1 – 2,1 A
Tension de sortie	4 CD

REDLITHIUM® Bloc-piles USB

Tension	4 CD
Température de fonctionnement	
Bloc-piles et chargeur..	4°C à 40°C (40°F à 104°F)
Bloc-piles et outil	-18°C à 65°C (0°F à 149°F)

No de Cat. l'alimentation électrique.... 44-66-1205

Tension d'entrée de prise murale	120 CA
--	--------

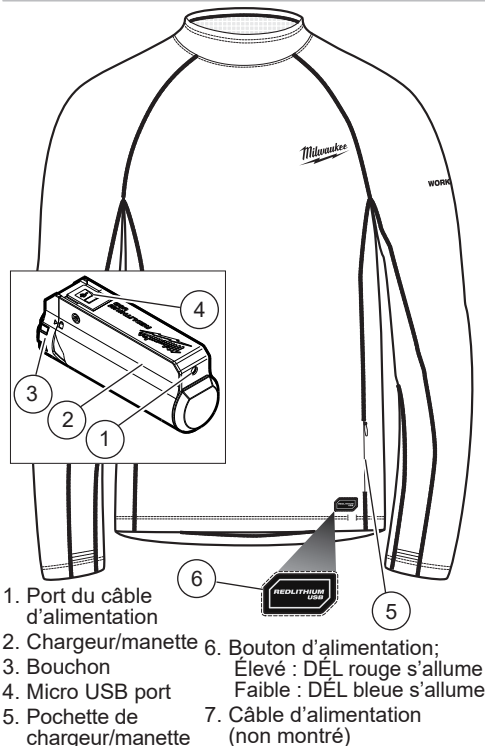
No de Cat. 2 pi câble USB..... 44-66-1215

PICTOGRAPHIE

	Volts
	Courant direct
	Ampères
	Lavage en machine froid, cycle doux
	Sèche-linge basse température
	Ne pas blanchir ou d'adoucisseur de tissu
	Ne pas repasser
	Ne pas essorer ou tordre
	Ne pas nettoyer à sec
	Lisez le manuel de l'opérateur
	Recycler correctement les piles

BFP Rétro-alimentation protégée

DESCRIPTION FONCTIONNELLE



⚠ AVERTISSEMENT Pour réduire le risque d'incendie, de blessures corporelles et de dommages causés par un court-circuit, ne jamais immerger l'outil, le bloc-piles ou le chargeur dans un liquide ou laisser couler un fluide à l'intérieur de celui-ci. Les fluides corrosifs ou conducteurs, tels que l'eau de mer, certains produits chimiques industriels, les produits de blanchiment ou de blanchiment, etc., peuvent provoquer un court-circuit.

Entretien et entreposage

Ne pas exposer votre bloc-piles ni vos outils sans fil à l'eau ou la pluie, ou les laisser prendre l'humidité. Cela pourrait endommager l'outil et le bloc-piles. Ne pas utiliser d'huile ou solvants pour nettoyer ou lubrifier votre bloc-piles. Le boîtier du bloc-piles risque de devenir cassant ou de se fendiller, causant un risque de blessure.

Entreposer les blocs-piles à température ambiante à l'abri de l'humidité. Ne pas les entreposer dans un endroit humide où la corrosion des bornes peut survenir. Comme pour d'autres types de batteries, une perte permanente de capacité peut survenir si le bloc-piles est entreposé pendant longtemps à haute température (48°C/120°F). Les piles Li-ion MILWAUKEE maintiennent leur charge pendant plus longtemps que les autres types de piles. Après un an d'entreposage, rechargez le bloc-piles comme d'habitude.

⚠ AVERTISSEMENT Pour réduire le risque d'explosion, ne jamais brûler un bloc-piles, même s'il est endommagé ou complètement déchargé. Lorsqu'il est brûlé, des matières et vapeurs toxiques sont produites.

Mise au rebut du bloc-piles Li-ion MILWAUKEE

Les blocs-piles Li-ion MILWAUKEE sont plus écologiques que d'autres types de piles pour outils portables. Mettre au rebut votre bloc-piles conformément aux réglementations locales, nationales et fédérales. Contacter une agence de recyclage dans votre région pour les lieux de recyclage.


Même déchargés, les blocs-piles contiennent un peu d'énergie. Avant la mise au rebut, utiliser du ruban isolant pour recouvrir les contacts pour empêcher la mise en court-circuit, laquelle pourrait causer un incendie ou une explosion.

Sceaux de recyclage des blocs-piles RBRC

Les sceaux de recyclage des batteries RBRC™ (voir « Symbologie ») sur vos blocs-piles indiquent que MILWAUKEE a pris des dispositions pour le recyclage de ce bloc-piles avec la Société de recyclage des piles rechargeables (RBRC). À la fin de la durée de vie utile du bloc-piles, le retourner à une succursale ou un centre de service MILWAUKEE ou au détaillant participant le plus proche de chez vous. Pour plus d'informations, consulter le site Web de RBRC www.rbrc.org.

⚠ AVERTISSEMENT Utiliser et charger les bloc-piles USB REDLITHIUM® uniquement avec ce chargeur/manette USB. Les batteries d'autres types peuvent causer des dommages et des blessures.

Pour insérer la pile

1. Faire tourner le bouchon et le retirer.
2. Aligner la flèche sur le bloc-piles sur la flèche dans le compartiment et insérer le bloc-piles à fond.
3. Insérer le bloc-piles et faire tourner le bouchon fermement .

Lors de l'insertion du bloc-piles, le voyant lumineux affichera l'autonomie du bloc-piles :

- Lumière rouge intermittente : 0 - 3% restant
- Lumière rouge fixe : 3 - 10% restant
- Lumière jaune fixe : 11 - 49% restant
- Lumière verte fixe : 50 - 100% restant

Pour charger la pile

1. Branchez le câble USD à la prise, tel qu'un adaptateur mural CA, ordinateur ou prise de voiture.
2. Soulever le bouchon en caoutchouc afin de révéler le port micro-USB. Insérez l'adaptateur micro USB dans la prise micro USB.
3. L'indicateur luminescent affichera le statut de charge :
 - Lumière rouge fixe : En charge, 0 - 79% chargée
 - Lumière verte intermittente : En charge, 80 - 99% chargée
 - Lumière verte fixe : 100% chargée
 - Lumière rouge/verte intermittente : Pile endommagée ou défectueuse

Si l'indicateur luminescent affiche une lumière rouge et verte intermittente, révisez que la pile ait été mise à fond. Retirez la pile et remettez-la. Si l'indicateur luminescent affiche encore une lumière rouge et verte, la pile pourra être extrêmement froide, chaude ou mouillée. Laissez la pile se refroidir, se réchauffer ou se sécher ; après, remettez-la. Si le problème persiste encore, contactez un centre de service MILWAUKEE.

⚠ AVERTISSEMENT Afin de réduire le risque de blessure, débranchez toujours le chargeur et retirez la pile du chargeur avant de réaliser des travaux d'entretien. Le chargeur et la pile n'ont pas aucune partie interne susceptible d'être entretenue par le client. Ne désassemblez jamais la pile ni le chargeur.

Entretien et rongement

Rongez son chargeur dans un endroit sec et frais. D'une manière générale, la meilleure option c'est débrancher les chargeurs et retirer les piles lorsqu'ils ne sont pas utilisés. Pourtant, aucun dommage parviendra à la pile si le chargeur et la pile restent toujours branchés.

AVERTISSEMENT Afin de réduire le risque de blessure et dommages, n'immergez ni ne chargez jamais la pile ou le chargeur dans des liquides ni ne laissez jamais qu'un liquide y entre.

Nettoyage

Nettoyez la poudre et les débris des bouches du chargeur ainsi que les prises électriques en soufflant d'air comprimé. N'utilisez que de savon doux et un chiffon humide pour nettoyer la pile et le chargeur, en les tenant loin de toutes les prises électriques. Quelques agents et solvants de nettoyage sont nocifs pour des plastiques et d'autres parties isolées, tels que de l'essence, térébenthine, diluant à peinture-laque, diluant à peinture, solvants de nettoyage chlorés, ammoniacque et détergents à usage domestique ayant d'ammoniacque. N'utilisez jamais de solvants inflammables ni combustibles près de piles, chargeur ni outils.

MANIEMENT

Décompressez la poche et retirez le câble d'alimentation. Branchez le câble d'alimentation dans le port à l'extrémité du chargeur/contrôleur. Repliez le chargeur/contrôleur dans la poche et fermez le zip. Pour **activer**, appuyez et maintenez (1 à 2 secondes) le bouton d'alimentation. Le réchauffage de sera ajusté sur Haut et le DEL rouge s'allume.

Le **réglage** de la température peut se faire à tout moment en appuyant sur le bouton d'alimentation. Chaque appui permet de faire défiler les différents réglages thermiques.

Pour **désactiver** la vêtements chauffants, appuyez et maintenez (1 à 2 secondes) le bouton d'alimentation. Le DEL s'éteint.

Si la vêtements chauffants est éteinte accidentellement, vérifiez les raccords et charger le bloc-piles.

SOIN DE VÊTEMENTS CHAUFFANTS

WARNING Afin de minimiser les risques de blessures, toujours débrancher le chargeur et retirer le bloc-piles et le chargeur/la manette des vêtements chauffants avant d'effectuer toute opération d'entretien. Ne jamais démonter les vêtements chauffants, le bloc-piles ou le chargeur. Pour toute réparation, contacter un centre de service MILWAUKEE.

Si les vêtements chauffants ne démarrent pas ou ne fonctionnent pas adéquatement une fois le bloc-piles complètement chargé, nettoyer les contacts du bloc-piles. Si les vêtements chauffants ne fonctionnent toujours pas, veuillez les retourner, ainsi que le chargeur et le bloc-piles, à un centre de service MILWAUKEE aux fins de réparation.

WARNING Pour minimiser les risques de blessures physiques et dommages, débrancher et retirer le bloc-piles, le chargeur/la manette de la pochette avant d'effectuer une opération de lavage. Ne jamais immerger votre chargeur/manette, bloc-piles ou chargeur dans un liquide ou laisser un liquide s'infiltrer dans ceux-ci.

Pour nettoyer les vêtements chauffants :

1. Retirer le bloc-piles et le porte-piles.
2. Veuillez enfoncer complètement le cordon d'alimentation dans le porte-pile et refermez-le.
3. Lavage en machine froid, cycle doux. Sèche-linge basse température. Ne pas blanchir. Ne pas nettoyer à sec. Ne pas tordre.
4. Sèche-linge basse température. Ne pas repasser.

SERVICE - CANADA

Milwaukee Tool (Canada) Ltd

1.800.268.4015

Monday-Friday, 7:00 AM - 4:30 PM CST

www.milwaukeeool.ca

GARANTIE LIMITÉE - AUX ÉTATS-UNIS ET AU CANADA

Chaque produit de VÊTEMENTS CHAUFFANTS MILWAUKEE (y compris leurs portes-piles/manettes) n'est garanti qu'à l'acheteur d'origine d'être exempt de défauts de matériaux et de main-d'œuvre. Sous réserve de certaines exceptions, MILWAUKEE réparera ou remplacera toute pièce d'un produit de vêtements chauffants qui, après examen, sera confirmée par MILWAUKEE être affectée d'un vice de matériel ou de main-d'œuvre pendant une période d'un (1) an* après la date d'achat. Il faut retourner le produit de vêtements chauffants à un centre de réparations en usine MILWAUKEE, en port prépayé et assuré. Une copie de la preuve d'achat doit être présentée lors du retour du produit. Cette garantie ne couvre pas les dommages que MILWAUKEE détermine être causés par des réparations ou des tentatives de réparation par quiconque autre que le personnel agréé par MILWAUKEE, des utilisations incorrectes, des altérations, des utilisations abusives, une usure normale ou des accidents.

*Cette garantie ne couvre pas le bloc-piles M12™ LITHIUM-ION, le chargeur M12™ ni la pile USB REDLITHIUM™ ; il existe des garanties distinctes pour ces produits.

L'enregistrement de la garantie n'est pas nécessaire pour bénéficier de la garantie en vigueur sur des produits de vêtements chauffants MILWAUKEE. La date de fabrication du produit servira à établir la période de garantie si aucune preuve d'achat n'est fournie lorsqu'une demande de service sous garantie est faite.

L'ACCEPTATION DES RECOURS EXCLUSIFS DE RÉPARATION ET DE REMPLACEMENT DÉCRITS PAR LA PRÉSENTE EST UNE CONDITION DU CONTRAT D'ACHAT DE TOUT PRODUIT MILWAUKEE. SI VOUS N'ACCEPTÉZ PAS CETTE CONDITION, VOUS NE DEVEZ PAS ACHETER LE PRODUIT. EN AUCUN CAS MILWAUKEE NE SAURAIT ÊTRE RESPONSABLE DE TOUT DOMMAGE ACCESSOIRE, SPÉCIAL OU INDIRECT, DE DOMMAGES-INTÉRÊTS PUNITIFS OU DE TOUTE DÉPENSE, D'HONORAIRES D'AVOCATS, DE FRAIS, DE PERTE OU DE DÉLAIS ACCESSOIRES À TOUT DOMMAGE, DÉFAILLANCE OU DÉFAUT DE TOUT PRODUIT, Y COMPRIS NOTAMMENT LES PERTES DE PROFIT. CERTAINS ÉTATS ET PROVINCES NE PERMETTANT L'EXCLUSION OU LA LIMITATION DES DOMMAGES DIRECTS OU INDIRECTS, LES RESTRICTIONS CI-DESSOUS PEUVENT NE PAS ÊTRE APPLICABLES. CETTE GARANTIE EST EXCLUSIVE ET REMPLACE TOUTE AUTRE GARANTIE EXPRESSE, QU'ELLE SOIT VERBALE OU ÉCRITE. DANS LA MESURE PERMISE PAR LA LOI, MILWAUKEE RENONCE À TOUTE GARANTIE IMPLICITE, Y COMPRIS, SANS S'Y LIMITER, TOUTE GARANTIE IMPLICITE DE QUALITÉ MARCHANDE OU D'ADAPTATION À UNE UTILISATION OU À UNE FIN PARTICULIÈRE. DANS LA MESURE OU UNE TELLE STIPULATION D'EXONÉRATION N'EST PAS PERMISE PAR LA LOI, LA DURÉE DE CES GARANTIES IMPLICITES EST LIMITÉE À LA PÉRIODE APPLICABLE DE LA GARANTIE EXPRESSE, TEL QUE CELA EST DÉCRIT PRÉCÉDEMMENT. CERTAINS ÉTATS ET PROVINCES NE PERMETTANT PAS DE LIMITATION DE DURÉE DES GARANTIES IMPLICITES, LES RESTRICTIONS CI-DESSUS PEUVENT NE PAS ÊTRE APPLICABLES. LA PRÉSENTE CONFÈRE À L'UTILISATEUR DES DROITS LÉGAUX PARTICULIERS ; IL BÉNÉFICIE ÉGALEMENT D'AUTRES DROITS QUI VARIENT D'UN ÉTAT À L'AUTRE. Cette garantie s'applique aux produits vendus aux États-Unis et au Canada uniquement.

Veuillez consulter l'ongle « Trouver un centre service », dans la section Pièces et service du site web de MILWAUKEE, à l'adresse www.milwaukeeool.ca/fr, ou composer le 1.800.SAWDUST (1.800.729.3878) afin de trouver le centre de réparations en usine MILWAUKEE le plus proche.

GARANTIE LIMITÉE - AUX ÉTATS-UNIS ET AU CANADA - BLOC-PILES

Chaque chargeur ou piles REDLITHIUM USB* de MILWAUKEE est garanti à l'acheteur original uniquement à propos d'une exception des défauts en matériel et fabrication. Soumis à certaines exceptions, MILWAUKEE réparera ou remplacera une pile ou un chargeur REDLITHIUM USB que, après une inspection, soit déterminé par MILWAUKEE qui est défectueux à propos du matériel ou construction par une période de deux (2) années après la date d'achat, sauf indication contraire. Il est nécessaire que la pile ou le chargeur REDLITHIUM USB soit rendu à un Centre de Service usine MILWAUKEE ou bien, une Station-Service Autorisée MILWAUKEE, avec un fret assuré et constaté d'avance. Pour plus d'informations sur la procédure d'envoi appropriée, veuillez contacter le numéro 1.800.SAWDUST (1.800.729.3878) ou le site d'Internet www.milwaukeeetool.com. Une copie de la preuve d'achat devra être incluse avec le produit rendu. Cette garantie n'est pas applicable à des dommages que soient déterminés par MILWAUKEE qui sont des réparations faites ou tentées par quelqu'un d'autre que le personnel autorisé de MILWAUKEE, usage abusif, altérations, maltraitance, usure naturelle, absence d'entretien ou accidents.

Usure régulière : Cette garantie n'inclut pas des réparations ou remplacements lorsque l'usure naturelle ait épuisé la vie d'une pièce, y compris les câbles de chargement et adaptateurs muraux.

*Cette garantie n'inclut pas de produits sans fil vendus avec la pile et le chargeur REDLITHIUM USB. Il y a des garanties indépendantes et différentes disponibles pour ces produits.

L'ACCEPTATION DES RECOURS DE REMPLACEMENT ET RÉPARATIONS EXCLUSIFS DÉCRITS CI-INCLUS EST UNE CONDITION CONTRACTUELLE POUR L'ACHAT DE TOUS LES PRODUITS MILWAUKEE. SI VOUS N'ÊTES PAS D'ACCORD AVEC CETTE CONDITION, VOUS NE DEVEZ PAS ACHETER LE PRODUIT. EN AUCUN CAS MILWAUKEE NE SERA RESPONSABLE DES DOMMAGES IMPRÉVUS, RÉSULTANTS, SPÉCIAUX NI RÉPRESSIFS NI AUCUN COÛT, HONORAIRE D'AVOCAT, DÉPENSE, PERTE NI DÉLAI QUI SE PRÉSUMENT COMME UN RÉSULTAT DE N'IMPORTER QUEL DOMMAGE, ÉCHEC OU DÉFAUT EN N'IMPORTER QUEL PRODUIT, Y COMPRIS N'IMPORTER QUELLE PRÉTENTION DE PERTES DE PROFITS. QUELQUES ÉTATS NE PERMETTENT PAS L'EXCLUSION NI LA LIMITATION DE DOMMAGES IMPRÉVUS NI RÉSULTANTS. LA LIMITATION OU EXCLUSION ANTERIEURE NE POURRA PAS DONC ÊTRE APPLICABLE À VOUS. CETTE GARANTIE EXCLUT ET SUBSTITUTE TOUTES LES AUTRES GARANTIES ÉCRITES OU ORALES EXPRESSES. DANS LA MESURE PRÉVUE PAR LA LOI, MILWAUKEE RENONCE À TOUTES LES GARANTIES IMPLICITES, Y COMPRIS N'IMPORTER QUELLE GARANTIE IMPLICITE DE COMMERCIALITÉ OU ADEQUATION À PROPOS D'UNE UTILISATION OU BUT PARTICULIER; DANS LA MESURE PRÉVUE PAR LA LOI À NE PAS PERMETTRE CETTE RENONCE, CES GARANTIES IMPLICITES SERONT LIMITÉES SELON LA DURÉE DE LA GARANTIE EXPRESSE APPLICABLE QUI A ÉTÉ DÉCRITE CI-DESSUS. QUELQUES ÉTATS NE PERMETTENT PAS LES LIMITATIONS SUR LA DURÉE D'UNE GARANTIE; LA LIMITATION CI-DESSUS POURRA DONC NE PAS ÊTRE APPLICABLE À VOUS. CETTE GARANTIE VOUS OFFRE DES DROITS JURIDIQUES ET VOUS POUVEZ BIEN AVOIR DES AUTRES DROITS, LESQUELS POURRONT CHANGER D'UN ÉTAT À UN AUTRE.

Cette garantie est applicable à un produit vendu aux États-Unis et au Canada uniquement.

Veuillez consulter la zone de recherche Trouver un Centre de Service dans la section Pièces et services du site d'Internet de MILWAUKEE ou bien, appelez le numéro 1.800.SAWDUST (1.800.729.3878) pour contacter le Centre de Service usine MILWAUKEE le plus proche.

L'ACCEPTATION DES RECOURS EXCLUSIFS DE RÉPARATION ET DE REMPLACEMENT DÉCRITS DANS LES PRÉSENTES EST UNE CONDITION DU CONTRAT D'ACHAT DE TOUT PRODUIT MILWAUKEE. SI VOUS N'ACCEPTEZ PAS CETTE CONDITION, VOUS NE DEVEZ PAS ACHETER LE PRODUIT. EN AUCUN CAS, MILWAUKEE NE SAURAIT ÊTRE RESPONSABLE DE TOUT DOMMAGE ACCESSOIRE, SPÉCIAL OU INDIRECT, DE DOMMAGES-INTÉRÊTS PUNITIFS OU DE TOUTE DÉPENSE, D'HONORAIRES D'AVOCAT, DE FRAIS, DE PERTE OU DE DÉLAIS ACCESSOIRES À TOUT DOMMAGE, DÉFAILLANCE OU DÉFAUT DE TOUT PRODUIT, Y COMPRIS NOTAMMENT LES PERTES DE PROFIT. CERTAINS ÉTATS ET PROVINCES NE PERMETTANT L'EXCLUSION OU LA LIMITATION DES DOMMAGES DIRECTS OU INDIRECTS, LES RESTRICTIONS CI-DESSUS PEUVENT NE PAS VOUS ÊTRE APPLICABLES. CETTE GARANTIE EST EXCLUSIVE ET REMPLACE TOUTE AUTRE GARANTIE EXPRESSE, QU'ELLE SOIT VERBALE OU ÉCRITE. DANS LA MESURE PERMISE PAR LA LOI, MILWAUKEE RENONCE À TOUTE GARANTIE IMPLICITE, Y COMPRIS, MAIS SANS S'Y LIMITER, TOUTE GARANTIE IMPLICITE DE QUALITÉ MARCHANDE OU D'ADAPTATION À UNE UTILISATION OU À UNE FIN PARTICULIÈRE. DANS LA MESURE OU UNE TELLE STIPULATION D'EXONÉRATION N'EST PAS PERMISE PAR LA LOI, LA DURÉE DE CES GARANTIES IMPLICITES EST LIMITÉE À LA PÉRIODE APPLICABLE DE LA GARANTIE EXPRESSE, TEL QUE CELA EST DÉCRIT PRÉCÉDEMMENT. CERTAINS ÉTATS ET PROVINCES NE PERMETTANT PAS DE LIMITATION DE DURÉE DES GARANTIES IMPLICITES, LES RESTRICTIONS CI-DESSUS PEUVENT DONC NE PAS VOUS ÊTRE APPLICABLES. LA PRÉSENTE VOUS CONFÈRE DES DROITS LÉGAUX PARTICULIERS; VOUS BÉNÉFICIEZ ÉGALEMENT D'AUTRES DROITS QUI VARIENT D'UN ÉTAT À UN AUTRE.

Cette garantie s'applique aux produits vendus aux États-Unis et au Canada uniquement.

Veuillez consulter la rubrique Centre SAV Milwaukee, dans la section Pièces et Services du site Web de MILWAUKEE, à l'adresse www.milwaukeeetool.com, ou composer le 1-800-SAWDUST (1-800-729-3878) afin de trouver le centre de service de votre région le plus proche pour l'entretien, sous garantie ou non, de votre outil électrique Milwaukee.

GARANTIE LIMITÉE - MEXIQUE, AMÉRIQUE CENTRALE ET CARAIBES

TECHTRONIC INDUSTRIES' garantit le produit pendant 1 an à partir de la date d'achat d'origine.

Le présent bon de garantie couvre tous les vices de matériel et de fabrication que peut afficher ce produit.

Pour assurer la validité de la présente garantie, veuillez présenter ce bon de garantie, estampillé du sceau du distributeur ou du magasin où le produit a été acheté, au centre de réparations agréé. Si le bon de garantie n'a pas été estampillé, veuillez fournir la preuve d'achat d'origine au centre de réparations agréé.

Pour un entretien des pièces, des accessoires ou des composants, composer 55 4160-3547 afin d'obtenir les coordonnées du centre de réparations agréé le plus près.

Procédure pour assurer la validité de la garantie

Présenter le produit au centre de réparations agréé, accompagné du bon de garantie estampillé du sceau du distributeur ou du magasin où le produit a été acheté. Toute pièce défectueuse ou tout composant défectueux sera remplacé(e) sans frais. Milwaukee assume tous les frais de transport liés à ce processus de garantie.

Exceptions

Cette garantie ne s'applique pas dans les situations suivantes :

- Si le produit a été utilisé pour une fin autre que celle indiquée dans le guide de l'utilisateur final ou le manuel d'instructions.
- Si les conditions d'utilisations ne sont pas habituelles.
- Si le produit a été modifié ou réparé par une personne non autorisée par TECHTRONIC INDUSTRIES.

Remarque : Si le cordon électrique est endommagé, il doit être remplacé par un centre de réparations agréé pour éviter les risques d'électrocution.

CENTRE DE RÉPARATIONS ET DE SERVICE

Composer le 55 4160-3547

IMPORTÉ ET COMMERCIALISÉ PAR

TECHTRONIC INDUSTRIES, MEXIQUE, S.A. DE C.V.
Miguel Cervantes Saavedra No.301 Piso 5, Torre Norte
11520 Colonia Ampliación Granada
Miguel Hidalgo, Ciudad de Mexico, Mexico

Modèle : _____

Date d'achat : _____

Sceau du distributeur ou du magasin : _____

INSTRUCCIONES DE SEGURIDAD

⚠️ ADVERTENCIA **LEA Y CONSERVE TODAS LAS INSTRUCCIONES.** Si no sigue todas las advertencias e instrucciones, se pueden provocar una descarga eléctrica, un incendio o lesiones graves.

GUARDE LAS INSTRUCCIONES

BATERÍA ET CARGADOR

- ESTE MANUAL INCLUYE INFORMACIÓN IMPORTANTE DE SEGURIDAD E INSTRUCCIONES DE OPERACIÓN PARA EL CARGADOR DE USB REDLITHIUM® Y BATERÍAS DE USB REDLITHIUM®.**
- CARGUE ÚNICAMENTE BATERÍAS DE USB REDLITHIUM® EN EL CARGADOR DE USB REDLITHIUM®. OTROS TIPOS DE BATERÍAS PUEDEN CAUSAR LESIONES PERSONALES O DAÑOS.**
- ANTES DE UTILIZAR LA BATERÍA Y EL CARGADOR, LEA ESTE MANUAL DEL OPERADOR, EL MANUAL DE HERRAMIENTA Y TODAS LAS ETIQUETAS DE LA BATERÍA, EL CARGADOR Y LA HERRAMIENTA.**
- USE ÚNICAMENTE CON SUMINISTRO DE ENERGÍA ITE DETALLADO/CERTIFICADO.** Otros pueden resultar en riesgo de incendio, choque eléctrico o lesiones personales.
- EVITE AMBIENTES PELIGROSOS.** No cargue la batería en la lluvia, nieve o lugares húmedos o mojados. No use la batería ni el cargador en la presencia de atmósferas explosivas (gases, polvo o materiales inflamables) puesto que pueden generar chispas al insertar o quitar la batería, y posiblemente provocar un incendio.
- CARGUE EN UN ÁREA CON BUENA VENTILACIÓN.** No obstruya las ventilas del cargador. Manténgalas sin obstrucciones para permitir una ventilación adecuada. No permita que haya humo o llamas expuestas cerca de la batería que se esté cargando. Los gases ventilados pueden explotar.
- DAR MANTENIMIENTO AL CABLE.** Al desconectar el cargador, jale del enchufe en vez del cable para reducir el riesgo de dañar cualquiera de ellos. Nunca transporte el cargador sujetándolo del cable. Proteja el cable del calor, aceite y bordes filosos. Asegúrese de no pisar, tropezar o someter el cable a daños o torceduras. No use el cargador con el cable o enchufe dañado. Pida que se reemplace inmediatamente un cargador dañado.
- USE ÚNICAMENTE LOS ACCESORIOS RECOMENDADOS.** El uso de un accesorio no recomendado o vendido por el fabricante del cargador de la batería o batería podría resultar en un riesgo de incendio, descarga eléctrica o lesiones personales.
- PARA REDUCIR EL RIESGO DE UNA DESCARGA ELÉCTRICA,** siempre desconecte el cargador antes de limpiarlo o dar mantenimiento.

- NO QUEME NI INCINERE LA BATERÍA.** La batería puede explotar, causando lesiones personales o daños. Al quemar la batería se generan vapores y materiales tóxicos.
- NO APLASTE, TIRE NI DAÑE** la batería. No use una batería o cargador que haya recibido un golpe seco, se haya caído, aplastado o dañado de algún modo (p. ej., perforado con un clavo, golpeado con un martillo, pisado, etc.).
- NO DESARME.** El armado incorrecto puede resultar en riesgo de descarga eléctrica, incendio o exposición a los químicos de la batería. En caso de daño, llévela a un centro de servicio MILWAUKEE.
- LOS QUÍMICOS DE LA BATERÍA CAUSAN QUEMADURAS GRAVES.** Nunca permita el contacto con la piel, ojos o boca. Si una batería dañada derrama químicos, use guantes de goma o neopreno para desecharla. Si la piel es expuesta a los fluidos de la batería, lave con agua y jabón, y enjuague con vinagre. Si los ojos son expuestos a los químicos de la batería, enjuague inmediatamente con agua durante 20 minutos y busque atención médica. Retire y deseche la ropa contaminada.
- NO HAGA CORTO CIRCUITO.** Un paquete de baterías cortará el circuito si un objeto metálico hace una conexión entre los contactos positivos y negativos en el paquete de baterías. No coloque un paquete de baterías cerca de nada que pueda causar un cortocircuito, como monedas, llaves o clavos en el bolsillo. No permita que los fluidos fluyan en el paquete de baterías. Los fluidos corrosivos o conductivos, como el agua de mar, ciertos productos químicos industriales y blanqueadores o lejías que contienen, etc., pueden causar un cortocircuito. Un paquete de baterías de cortocircuito puede causar incendios, lesiones personales y daños al producto.
- ALMACENE SU BATERÍA Y CARGADOR** en un lugar fresco y seco. No almacene la batería donde la temperatura pudiera exceder 120 °F (50 °C) tal como en la luz solar directa, un vehículo o edificio de metal durante el verano.

PRENDA CALEFACTADA

SEGURIDAD EN EL ÁREA DE TRABAJO

- **Mantenga limpia y bien iluminada el área de trabajo.** Las áreas desordenadas u oscuras contribuyen a que se produzcan accidentes.

SEGURIDAD ELÉCTRICA

- **No exponga la prenda calefactada a la lluvia ni a condiciones de humedad.** El agua aumenta el riesgo de una descarga eléctrica.
- **No maltrate el cable de alimentación.** Nunca use el cable para trasladar, desconectar ni tirar de la prenda calefactada. Mantenga el cable lejos del calor, aceite, bordes afilados o piezas móviles.

SEGURIDAD PERSONAL

- **Permanezca alerta, preste atención a lo que esté haciendo y use el sentido común al usar la prenda calefactada.** No use esta prenda si está cansado o se encuentra bajo los efectos de las drogas, el alcohol o algún medicamento. Un momento de descuido puede causar lesiones personales graves.

PRODUCTO DE USO Y CUIDADO

- **No use la prenda calefactada si el botón de encendido no enciende o no apaga.** Cualquier prenda calefactada que no se pueda controlar con el botón de encendido es peligrosa y se debe reparar.
- **Desconecte la batería de la prenda calefactada antes de guardarla.** Tales medidas preventivas de seguridad reducen el riesgo de poner en marcha accidentalmente la prenda calefactada.
- **Guarde la prenda calefactada fuera del alcance de los niños y no permita que las personas que no están familiarizadas con estas instrucciones la operen.** La prenda calefactada puede ser peligrosa en manos de usuarios no capacitados.
- **Dé mantenimiento a la prenda calefactada.** Verifique que no haya partes rotas ni ninguna otra condición que pueda afectar el funcionamiento de la prenda calefactada. Si la prenda calefactada está dañada, haga que la reparen antes de usarla.
- **Use la prenda calefactada de conformidad con estas instrucciones, teniendo en cuenta las condiciones de trabajo y la tarea que se va a realizar.** El uso de la prenda calefactada para operaciones diferentes de aquellas para las que se diseñó podría causar una situación peligrosa.

MANTENIMIENTO

- **Haga que un técnico calificado realice el mantenimiento de su prenda calefactada usando solamente piezas de repuesto idénticas.** Esto garantizará que se mantenga la seguridad de la prenda calefactada.

REGLAS ESPECÍFICAS DE SEGURIDAD

Lea cuidadosamente las instrucciones.

Uso:

- **No use esta prenda calefactada en bebés, niños, personas desvalidas ni personas no sensibles al calor, como una persona que tiene mala circulación.**
 - **Si usted padece de una enfermedad que le produce sensibilidad al sobrecalentamiento o si utiliza algún dispositivo médico personal, consulte al fabricante del dispositivo o a su médico para determinar si puede usar este producto.**
 - **Nunca use la prenda si el forro está húmedo.**
 - **No se recomienda que los elementos de calefacción toquen la piel directamente.**
 - **Desconecte el suministro de corriente inmediatamente si tiene molestias.**
 - **No permita que los cordones queden atrapados.**
 - **Si se advierte el funcionamiento incorrecto de esta prenda calefactada, interrumpa su uso inmediatamente y comuníquese con una instalación de servicio MILWAUKEE para su reparación.**
 - **No use alfileres, ya que pueden dañar el cableado eléctrico.**
- Cuidado:**
- **Antes de lavar la prenda, desconecte y retire la batería y el portabaterías del bolsillo del portabaterías.** Introduzca todo el cable de alimentación en la funda del soporte de la batería y asegure para cerrar.
 - **Siga cuidado las instrucciones de la prenda calefactada.** Lavar a máquina en agua fría, ciclo suave. Secar en secadora a temperatura baja.

- **No use blanqueador ni suavizante de tela.**
- **No planche la prenda.**
- **No la retuerza.**
- **No lave en seco.** No use líquido de lavado en seco para esta prenda calefactada. No use blanqueador. Los solventes de limpieza pueden deteriorar el aislamiento del elemento calentador.
- **Válgase siempre de su sentido común y sea cuidadoso cuando utilice herramientas.** No es posible anticipar todas las situaciones que podrían tener un desenlace peligroso. No utilice esta herramienta si no entiende estas instrucciones de uso o si considera que el trabajo a realizar supera sus capacidades, comuníquese con Milwaukee Tool o con un profesional capacitado para recibir capacitación o información adicional.
- **Conservar las etiquetas y las placas nominales.** Contienen información importante. Si son ilegibles o no están presentes, comuníquese con un centro de servicio MILWAUKEE para obtener un reemplazo gratuito.

LEA Y CONSERVE
TODAS LAS
INSTRUCCIONES
PARA
CONSULTARLAS
EN EL FUTURO

SIMBOLOGÍA



Volts



Corriente continua



Amperios



Lavar a máquina en frío, ciclo suave



Secar en secadora a temperatura baja



No use blanqueador ni suavizante de tela



No planchar



No exprimir ni torcer



No lavar en seco



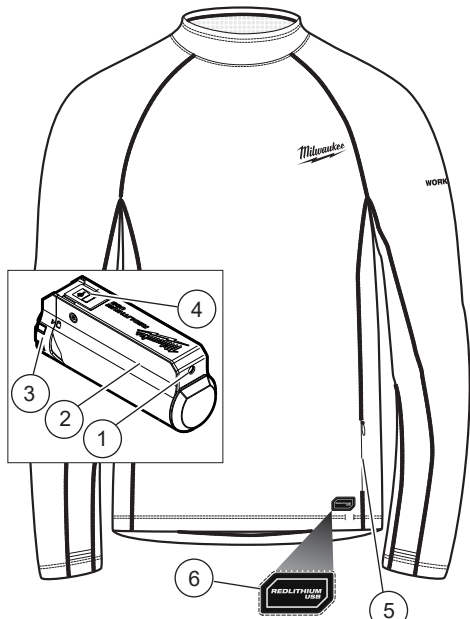
Lea el manual del operador



Reciclar adecuadamente las baterías



Retroalimentación protegida



1. Puerto del cable de alimentación
2. Cargador/controlador
3. Tapa
4. Puerto de micro USB
5. Bolsillo del cargador/controlador
6. Botón de encendido
Calefacción alta: el diodo luminoso (LED) rojo permanece encendido
Calefacción baja: el diodo luminoso (LED) azul permanece encendido
7. Cable de alimentación (no se muestra)

ESPECIFICACIONES

No. de Cat. cargador/controlador	48-59-2005
Voltios de entrada	5 CD
Amperaje de entrada	0,1 - 2,1 A
Voltios de salida	4 CD
Baterías USB REDLITHIUM®	
Voltios	4 CD
Temperatura de operación	
Batería y cargador	4°C a 40°C (40°F a 104°F)
Batería y herramienta	-18°C a 65°C (0°F a 149°F)
Cat. de suministro de energía No	44-66-1202
Voltios de la entrada del enchufe de pared	120 AC
Cable USB Cat de 2 pies No.	44-66-1215

⚠ ADVERTENCIA Para reducir el riesgo de incendio, lesiones personales y daños al producto debido a un cortocircuito, no sumerja nunca la herramienta, el paquete de baterías o el cargador en líquido ni permita que fluya un fluido dentro de ellos. Los fluidos corrosivos o conductivos, como el agua de mar, ciertos productos químicos industriales y blanqueadores o lejías que contienen, etc., pueden causar un cortocircuito.

Mantenimiento y almacenamiento

No exponga su batería o herramientas inalámbricas al agua o lluvia, ni permita que se mojen. Esto podría dañar la herramienta y la batería. No use aceite o solventes para limpiar o lubricar su batería. La carcasa de plástico se volverá frágil y se romperá, provocando un riesgo de lesión.

Almacene las baterías a temperatura ambiente, alejadas de la humedad. No almacene en lugares húmedos donde puede haber una corrosión de las terminales. Al igual que con los otros tipos de batería, puede haber una pérdida permanente de capacidad si la batería se almacena por periodos largos a temperaturas altas (más de 120 °F). Las baterías de litio-ion de MILWAUKEE mantienen su carga durante almacenamientos mayores que otros tipos de batería. Después de un año de almacenamiento, cargue la batería como siempre.

⚠ ADVERTENCIA Para reducir el riesgo de lesión o explosión, nunca queme ni incinere una batería incluso si está dañada, inservible o completamente descargada. Cuando se quema, se forman vapores y materiales tóxicos.

Desecho de baterías de litio-ion de MILWAUKEE

Las baterías de litio-ion de MILWAUKEE son más amigables con el medio ambiente que algunos otros tipos de baterías para herramientas eléctricas. Siempre deseche su batería de conformidad con las regulaciones federales, estatales y locales. Contacte a una agencia de reciclaje en su área para conocer los lugares de reciclaje.

Incluso las baterías descargadas contienen algo de energía. Antes de desechar, use cinta eléctrica para cubrir las terminales y evitar que la batería cree un corto, que podría provocar un incendio o explosión.


Sellos de reciclaje de batería RBRC

Los Sellos de reciclaje de batería RBRC™ (consulte “Simbología”) en sus baterías indican que MILWAUKEE organizó el reciclado de la batería con la Corporación de Reciclaje de Baterías Reciclables (RBRC). Al final de la vida útil de su batería, devuélvala a la Oficina de la sucursal/Centro de servicio MILWAUKEE o al minorista más cercano. Para mayor información, visite el sitio web de RBRC en www.rbrc.org.

PRENDA CALEFACTADA

⚠️ ADVERTENCIA Utilice y cargue únicamente baterías de USB REDLITHIUM® con este cargador/controlador de USB. Otros tipos de baterías pueden causar lesiones personales o daños.

Insertar la batería

1. Gire la tapa y retire.
2. Alinee la flecha de la batería con la flecha del compartimiento e inserte completamente la batería.
3. Inserte la batería y gire la tapa para cerrar con firmeza .

Cuando se inserta la batería, la luz indicadora mostrará la carga de la batería:

Rojo parpadeando: 0-3 % restante
Rojo sin parpadear: 3-10 % restante
Amarillo sin parpadear: 11-49 % restante
Verde sin parpadear: 50-100 % restante

Cargar la batería

1. Enchufe su cable USB en una fuente de energía como un adaptador de pared AC, computadora o puerto en un coche.
2. Levante la cubierta de hule para mostrar el puerto de la micro USB. Inserte el enchufe de la micro USB en el puerto de micro USB.
3. La luz indicadora mostrará el estado de la carga:
Rojo sin parpadear: Cargando, 0-79 % de carga
Verde parpadeando: Cargando, 80-99 % de carga
Verde sin parpadear: 100 % de carga
Rojo/verde parpadeando: Batería dañada o defectuosa

Si el indicador de luz parpadea rojo y verde, verifique que la batería esté completamente fija en el compartimiento. Retire la batería y vuélvala a insertar. Si la luz continúa parpadeando rojo y verde, la batería puede estar extremadamente caliente o fría, o mojada. Permita que la batería se enfríe, caliente o seque antes de volver a insertarla. Si el problema continúa, comuníquese con una instalación de servicio MILWAUKEE.

⚠️ ADVERTENCIA Para reducir el riesgo de lesiones, siempre desconecte el cargador y retire la batería y el cargador antes de realizar cualquier mantenimiento. El cargador y la batería no tienen partes internas que requieran mantenimiento. Nunca desarme la batería o el cargador.

Mantenimiento y almacenamiento

Almacene su batería y cargador en un lugar fresco y seco.

Como práctica general, se recomienda desconectar los cargadores y retirar las baterías cuando no se estén usando. Sin embargo, no se dañará la batería si el cargador y la batería se dejan conectados.

⚠️ ADVERTENCIA Para reducir el riesgo de lesiones o daños, nunca sumerja su batería ni cargador en líquido, ni permita que un líquido fluya hacia su interior.

Limpieza

Limpie el polvo y basura de las ventilas del cargador y los contactos eléctricos soplando con aire comprimido. Use solo jabón suave y un paño húmedo para limpiar la batería y el cargador, evitando tocar

todos los contactos eléctricos. Ciertos agentes y solventes de limpieza pueden dañar el plástico y otras partes aisladas. Algunos de estos incluyen la gasolina, trementina, adelgazador de barniz, adelgazador de pintura, solventes de limpieza con cloro, amoníaco y detergentes caseros que contienen amoníaco. Nunca use solventes inflamables.

OPERACION

Descomprime el bolsillo y saca el cable de alimentación. Enchufe el cable de alimentación en el puerto del extremo del cargador/controlador. Meta el cargador/controlador en el bolsillo y cierre la cremallera. Para **encender**, presione y sostenga (1 a 2 segundos) el botón de encendido. La encenderá en Alto y el foco LED rojo se iluminará.

La temperatura puede **ajustarse** en cualquier momento presionando el botón de encendido. Cada presión clarificará por los valores de temperatura.

Para **apagar**, presione y sostenga (1 a 2 segundos) el botón de encendido. El foco LED se apagará.

Si la equipo con calefacción incorporada se apaga inesperadamente, verifique las conexiones y cargue la batería.

PRENDA CALEFACTADA DE CUIDADO

⚠️ ADVERTENCIA Para reducir el riesgo de lesiones, siempre desconecte el cargador y retire la batería y el cargador/controlador de batería de los prenda calefactada antes de realizar cualquier mantenimiento. Nunca desarme los prenda calefactada, la batería o el cargador. Comuníquese con un centro de servicio MILWAUKEE para todas las reparaciones.

Si los prenda calefactada no encienden o no operan correctamente con una batería totalmente cargada, limpie los contactos de la batería. Si los prenda calefactada aún no funcionan correctamente, devuelva los prenda calefactada, el cargador y la batería a un centro de servicio MILWAUKEE para reparaciones.

⚠️ ADVERTENCIA Para reducir el riesgo de lesiones personales y daños, desconecte y retire la batería y el cargador/controlador del bolsillo antes de lavar. Nunca sumerja su cargador/controlador, batería o cargador en líquido ni permita que fluya líquido dentro de ellos.

Para limpiar los prenda calefactada:

1. Retire la batería y el portabaterías.
2. Introduzca todo el cable de alimentación en la funda del soporte de la batería y asegure para cerrar.
3. Lavar a máquina en agua frío, ciclo suave. Secar en secadora a temperatura baja. No use blanqueador. No lave en seco. No la retuerza.
4. Secar en secadora a temperatura baja. No planche la prenda.

SOPORTE DE SERVICIO - MEXICO

CENTRO DE ATENCION A CLIENTES

Technronic Industries Mexico, S.A. de C.V.

Av. Presidente Masarik 29 Piso 7

11560 Polanco V Seccion

Miguel Hidalgo, Distrito Federal, México

01 (800) 030-7777 o (55) 4160-3540

Lunes a Viernes (9am a 6pm)

O contáctanos en www.milwaukeetool.com.mx

GARANTÍA LIMITADA - E.U.A. Y CANADÁ

Cada PRENDA CALEFACTADA de MILWAUKEE (con el soporte/controlador de la batería) está garantizado solo para el comprador original de que no tenga material y mano de obra defectuosos. Con algunas excepciones, MILWAUKEE reparará o reemplazará cualquier parte de una prenda calefactada que tenga defectos de material o mano de obra según lo determine MILWAUKEE mediante una revisión, por un periodo de un (1) año* después de la fecha de compra. Devuelva la prenda calefactada al Centro de Servicio de la fábrica de MILWAUKEE con el flete prepagado y asegurado. Se debe incluir una copia del comprobante de compra con el producto devuelto. Esta garantía no aplica a daños que MILWAUKEE determine que son por reparaciones o intentos realizados por una persona que no sea personal de MILWAUKEE, uso indebido, alteraciones, maltrato, desgaste normal o accidentes.

*Esta garantía no cubre una batería M12™ LITHIUM-ION, un cargador M12™ o una batería REDLITHIUM™ USB; son garantías separadas y distintas disponibles para estos productos.

No se requiere registrar la garantía para obtenerla sobre productos de prendas calefactadas MILWAUKEE. La fecha de manufactura del producto se utilizará para determinar el periodo de garantía si no se proporciona comprobante de compra al solicitar el servicio en garantía. LA ACEPTACIÓN DE LOS REMEDIOS EXCLUSIVOS DE REPARACIÓN Y REEMPLAZO AQUÍ DESCRITOS ES UNA CONDICIÓN DEL CONTRATO PARA LA COMPRA DE TODO PRODUCTO DE MILWAUKEE. SI USTED NO ACEPTA ESTA CONDICIÓN, NO DEBE COMPRAR EL PRODUCTO. MILWAUKEE NO SERÁ RESPONSABLE EN NINGUN CASO DE DAÑOS INCIDENTALES, ESPECIALES, EMERGENTES O PUNITIVOS NI DE NINGUN COSTO, HONORARIOS LEGALES, GASTOS, PÉRDIDAS O DEMORAS ALEGADOS COMO CONSECUENCIA DE ALGÚN DAÑO, FALLA O DEFECTO EN NINGUN PRODUCTO, INCLUYENDO, ENTRE OTROS, RECLAMACIONES POR PÉRDIDA DE UTILIDADES. ALGUNOS ESTADOS NO PERMITEN LA EXCLUSIÓN O LIMITACIÓN DE RESPONSABILIDAD POR DAÑOS INCIDENTALES O EMERGENTES, POR LO QUE LA ANTERIOR LIMITACIÓN O EXCLUSIÓN PODRÍA NO APLICAR EN SU CASO. ESTA GARANTÍA ES EXCLUSIVA Y REEMPLAZA TODAS LAS DEMÁS GARANTÍAS EXPRESAS, ESCRITAS U ORALES, HASTA DONDE PERMITA LA LEY, MILWAUKEE DESCONOCE CUALQUIER GARANTÍA IMPLÍCITA, INCLUYENDO SIN LIMITACIÓN CUALQUIER GARANTÍA IMPLÍCITA DE COMERCIABILIDAD O IDONEIDAD PARA UN FIN O USO ESPECÍFICO; HASTA EN QUE DICHO DESCONOCIMIENTO NO SEA PERMITIDO POR LA LEY, DICHAS GARANTÍAS IMPLÍCITAS SE LIMITAN A LA DURACIÓN DE LA GARANTÍA EXPRESA CORRESPONDIENTE SEGÚN LO ARRIBA DESCRITO. ALGUNOS ESTADOS NO PERMITEN LIMITACIONES EN DURACIÓN DE UNA GARANTÍA IMPLÍCITA, POR LO QUE LA ANTERIOR LIMITACIÓN PODRÍA NO APLICAR A USTED. ESTA GARANTÍA LE DA DERECHOS LEGALES ESPECÍFICOS Y USTED PODRÍA ADEMÁS TENER OTROS DERECHOS QUE VARIAN DE UN ESTADO A OTRO.

Esta garantía aplica a productos vendidos solo en los EE. UU. y Canadá.

Consulte la "Búsqueda de Centros de Servicio" en el sitio web de MILWAUKEE www.milwaukeeool.com o llame al 1.800.SAWDUST (1.800.729.3878) para localizar el Centro de Servicio de fábrica MILWAUKEE más cercano a usted.

GARANTÍA LIMITADA - E.U.A. Y CANADÁ - BATERÍA

Cada batería y cargador REDLITHIUM USB* de MILWAUKEE están garantizados para el comprador original únicamente de que no tenga material y mano de obra defectuosos. Sujeto a ciertas excepciones, MILWAUKEE reparará o reemplazará una batería o cargador REDLITHIUM USB que tenga defectos de material o mano de obra según lo determine MILWAUKEE mediante una revisión, por un periodo de dos (2) años después de la fecha de compra a menos que se indique lo contrario. Al devolver la batería o cargador REDLITHIUM USB a un Centro de Servicio de la fábrica de MILWAUKEE o a una Estación de Servicio Autorizada de MILWAUKEE, se requiere que el flete esté pagado por adelantado y asegurado. Para fines de un envío correcto de baterías, llame al 1.800.SAWDUST (1.800.729.3878) o visite www.milwaukeeool.com. Se debe incluir una copia del comprobante de compra con el producto devuelto. Esta garantía no aplica a daños que MILWAUKEE determine que son ocasionados por reparaciones o intentos de reparaciones realizados por una persona que no sea personal autorizado de MILWAUKEE, uso indebido, alteraciones, maltrato, desgaste normal, falta de mantenimiento o accidentes. Desgaste normal: Esta garantía no cubre la reparación o reemplazo cuando el uso normal haya desgastado la vida de una parte, incluyendo pero sin limitarse a los cables de carga y enchufes de pared.

*Esta garantía no cubre ningún producto inalmbrico que se venda con la batería y/o cargador REDLITHIUM USB. Existen garantías por separado y distintas disponibles para estos productos.

LA ACEPTACIÓN DE LOS REMEDIOS EXCLUSIVOS DE REPARACIÓN Y REEMPLAZO AQUÍ DESCRITOS ES UNA CONDICIÓN DEL CONTRATO PARA LA COMPRA DE TODO PRODUCTO DE MILWAUKEE. SI USTED NO ACEPTA ESTA CONDICIÓN, NO DEBE COMPRAR EL PRODUCTO. MILWAUKEE NO SERÁ RESPONSABLE EN NINGUN CASO DE DAÑOS INCIDENTALES, ESPECIALES, EMERGENTES O PUNITIVOS NI DE NINGUN COSTO, HONORARIOS LEGALES, GASTOS, PÉRDIDAS O DEMORAS ALEGADOS COMO CONSECUENCIA DE ALGÚN DAÑO, FALLA O DEFECTO EN NINGUN PRODUCTO, INCLUYENDO, ENTRE OTROS, RECLAMACIONES POR PÉRDIDA DE UTILIDADES. ALGUNOS ESTADOS NO PERMITEN LA EXCLUSIÓN O LIMITACIÓN DE RESPONSABILIDAD POR DAÑOS INCIDENTALES O EMERGENTES, POR LO QUE LA ANTERIOR LIMITACIÓN O EXCLUSIÓN PODRÍA NO APLICARSE EN SU CASO. ESTA GARANTÍA ES EXCLUSIVA Y REEMPLAZA TODAS LAS DEMÁS GARANTÍAS EXPRESAS, ESCRITAS U ORALES, EN LA MEDIDA EN QUE LO PERMITA LA LEY, MILWAUKEE DESCONOCE CUALQUIER GARANTÍA IMPLÍCITA, INCLUYENDO SIN LIMITACIÓN CUALQUIER GARANTÍA IMPLÍCITA DE COMERCIABILIDAD O IDONEIDAD PARA UN FIN O USO ESPECÍFICO; EN LA MEDIDA EN QUE DICHO DESCONOCIMIENTO NO SEA PERMITIDO POR LA LEY, DICHAS GARANTÍAS IMPLÍCITAS SE LIMITAN A LA DURACIÓN DE LA GARANTÍA EXPRESA CORRESPONDIENTE SEGÚN SE DESCRIBIÓ ANTERIORMENTE. ALGUNOS ESTADOS NO PERMITEN LIMITACIONES SOBRE LA DURACIÓN DE UNA GARANTÍA IMPLÍCITA, POR LO QUE LA ANTERIOR LIMITACIÓN PODRÍA NO APLICARSE A USTED. ESTA GARANTÍA LE DA DERECHOS LEGALES ESPECÍFICOS Y USTED PODRÍA ADEMÁS TENER OTROS DERECHOS QUE VARIAN DE UN ESTADO A OTRO.

Esta garantía aplica a productos vendidos en los Estados Unidos y en Canadá únicamente.

Consulte la Búsqueda de un Centro de Servicio en la sección de Refacciones y Servicio del sitio web de MILWAUKEE en www.milwaukeeool.com o llame al 1.800.SAWDUST (1.800.729.3878) para localizar el Centro de Servicio de fábrica MILWAUKEE más cercano a usted.

PÓLIZA DE GARANTÍA - VALIDA SOLO PARA MÉXICO, AMÉRICA CENTRAL Y EL CARIBE

La garantía de TECHTRONIC INDUSTRIES es por 1 año a partir de la fecha original de compra.

Esta tarjeta de garantía cubre cualquier defecto de material y mano de obra en ese Producto.

Para hacer válida esta garantía, presente esta tarjeta de garantía, cerrada/sellada por el distribuidor o la tienda donde compró el producto, al Centro de Servicio Autorizado (ASC). O, si esta tarjeta no se ha cerrado/sellado, presente la prueba original de compra a ASC. Llame 55 4160-3547 para encontrar el ASC más cercano, para servicio, partes, accesorios o componentes.

Procedimiento para hacer válida esta garantía

Lleve el producto a ASC, junto con la tarjeta de garantía cerrada/sellada por el distribuidor o la tienda donde compró el producto, y cualquier pieza o componente defectuoso se reemplazará sin costo para usted. Cubriremos todos los costos de flete con relación a este proceso de garantía

Excepciones

Esta garantía no tendrá validez en las siguientes situaciones:

- Cuando el producto se use de manera distinta a la que indica el manual del usuario final o de instrucciones.
- Cuando las condiciones de uso no sean normales.
- Cuando otras personas no autorizadas por TECHTRONIC INDUSTRIES modifiquen o reparen el producto.

Nota: si el juego de cables está dañado, tiene que reemplazarse en un Centro de Servicio Autorizado para evitar riesgos eléctricos.

CENTRO DE SERVICIO Y ATENCIÓN

Llame al 55 4160-3547

IMPORTADO Y COMERCIALIZADO POR
TECHTRONIC INDUSTRIES, MÉXICO, S.A. DE C.V.

Miguel de Cervantes Saavedra No.301 Piso 5, Torre Norte

11520 Colonia Ampliación Granada

Miguel Hidalgo, Ciudad de México, México

Modelo: _____

Fecha de Compra: _____

Sello del Distribuidor: _____

MILWAUKEE TOOL
13135 West Lisbon Road
Brookfield, WI 53005 USA

58149978d3
05/20

961001686-02(A)
Printed in China