

COMMERCIAL STANDARD

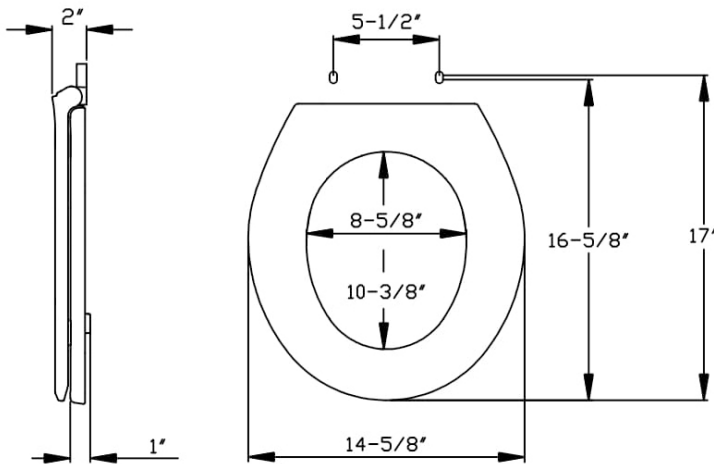
Product Specifications

Shape	Round
Seat Material	Polypropylene
Seat Form	Closed front
Commercial Hinge	No
Bolt Material	Zinc plated steel
Hardware Material	Plastic
Check Hinge	No
Cover	Yes
Custom Gasket	Yes
Color	White

Warranty 1 year limited warranty

Available Colors

White, sterling silver, bone, crane white, black, biscuit,


Features
Length Adjustment

Seat can be adjusted during installation for proper fit.