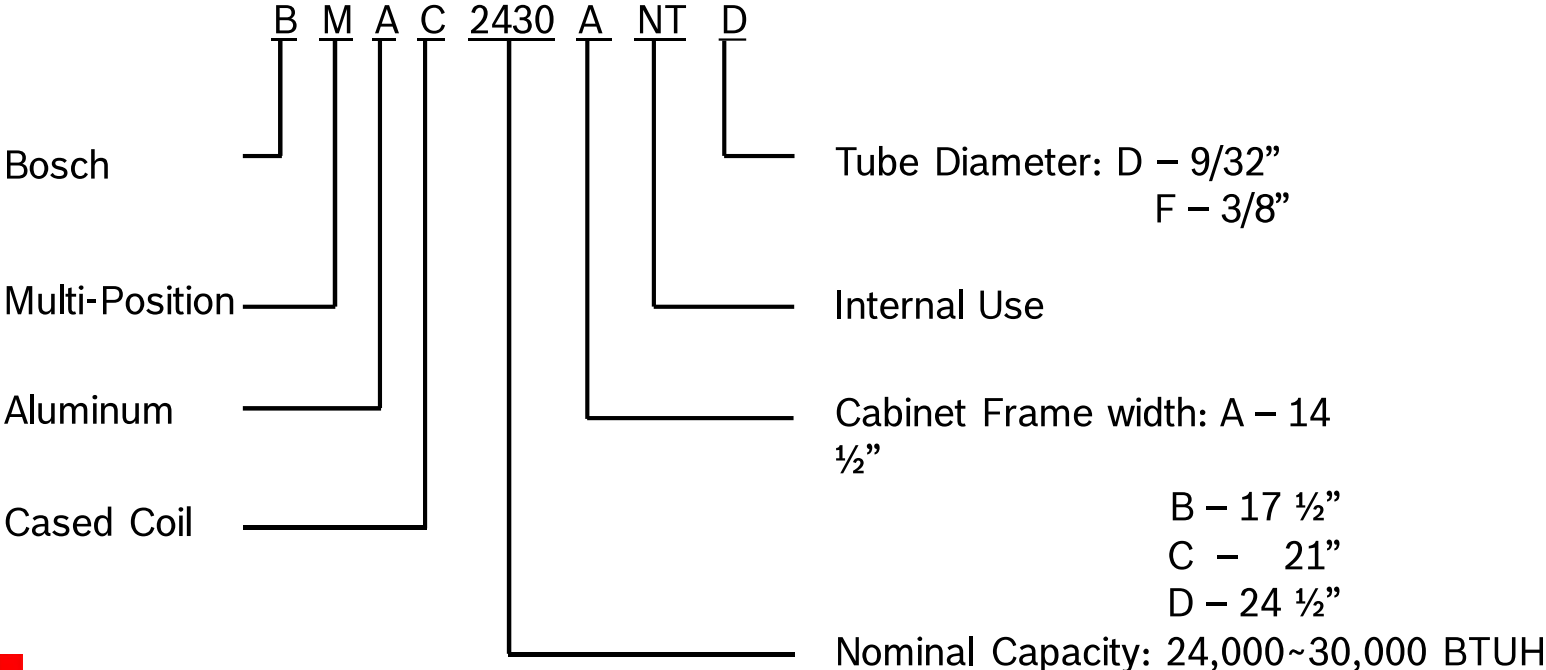


Multi-position Cased Coils Cooling and Heat Pump Compatible Initial Product Information

Nomenclature:



Multi-position Cased Coils Cooling and Heat Pump Compatible Initial Product Information

Performance Data:

IDU ODU Model No.	Cased Coil Model No.	CFM	Orifice size & TXV part number	Cooling Capacity (BTUH) 95°F High	EER 95°F	SEER	Superheat 95°F-TXV	Subcooling 95°F-TXV	High Heat (BTUH) 47°F	HSPF	Used With Furnaces Flush on Both Sides
BOVA-36HN1-M18M	BMAC2430ANTD	700	TXV	23,400	11.5	15.0	8.0	8.0	25000	9.0	14-1/2" Wide Furnaces
	BMAC2430BNTD	700	TXV	23,400	11.5	15.0	8.1	9.5	25000	9.0	17-1/2" Wide Furnaces
	BMAC2430CNTD	700	TXV	23,400	11.5	15.0	9.0	9.3	25000	9.0	21" Wide Furnaces
BOVA-36HN1-M18M	BMAC3036ANTD	900	TXV	32,000	10.0	14.5	9.8	10.5	35000	9.0	14-1/2" Wide Furnaces
	BMAC3036BNTD	1000	TXV	32,400	10.0	14.5	9.4	11.0	35000	9.0	17-1/2" Wide Furnaces
	BMAC3036CNTD	1000	TXV	32,400	10.0	14.5	8.0	9.0	35000	9.0	21" Wide Furnaces
BOVA-60HN1-M18M	BMAC4248BNTF	1150	TXV	44,500	11.0	16	8.4	8.4	45500	9.5	17-1/2" Wide Furnaces
	BMAC4248CNTF	1300	TXV	46,000	11.0	16	9.1	9.8	47000	9.5	21" Wide Furnaces
	BMAC4248DNTF	1400	TXV	46,500	11.0	16	8.5	9.2	48000	9.5	24-1/2" Wide Furnaces
BOVA-60HN1-M18M	BMAC4860CNTF	1300	TXV	54,000	10.5	16	9.0	8.6	55500	9.5	21" Wide Furnaces
	BMAC4860DNTF	1500	TXV	55,000	10.5	16	9.0	8.6	56000	9.5	24-1/2" Wide Furnaces



Multi-position Cased Coils Cooling and Heat Pump Compatible Initial Product Information

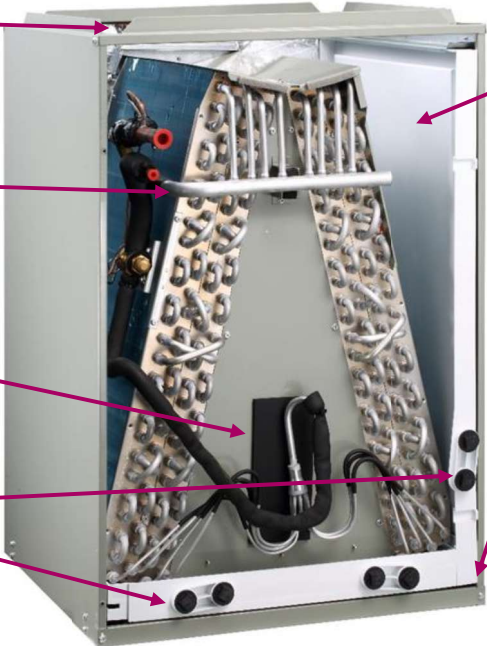
Product Features:

Foil-faced insulation for easy cleaning

Formicary corrosion-resistant all Aluminum coil for longevity

Factory installed TXV

Vertical, downflow, and horizontal application



UVC-tested plastic drain pan reduces mold, bacteria and airborne pollutants

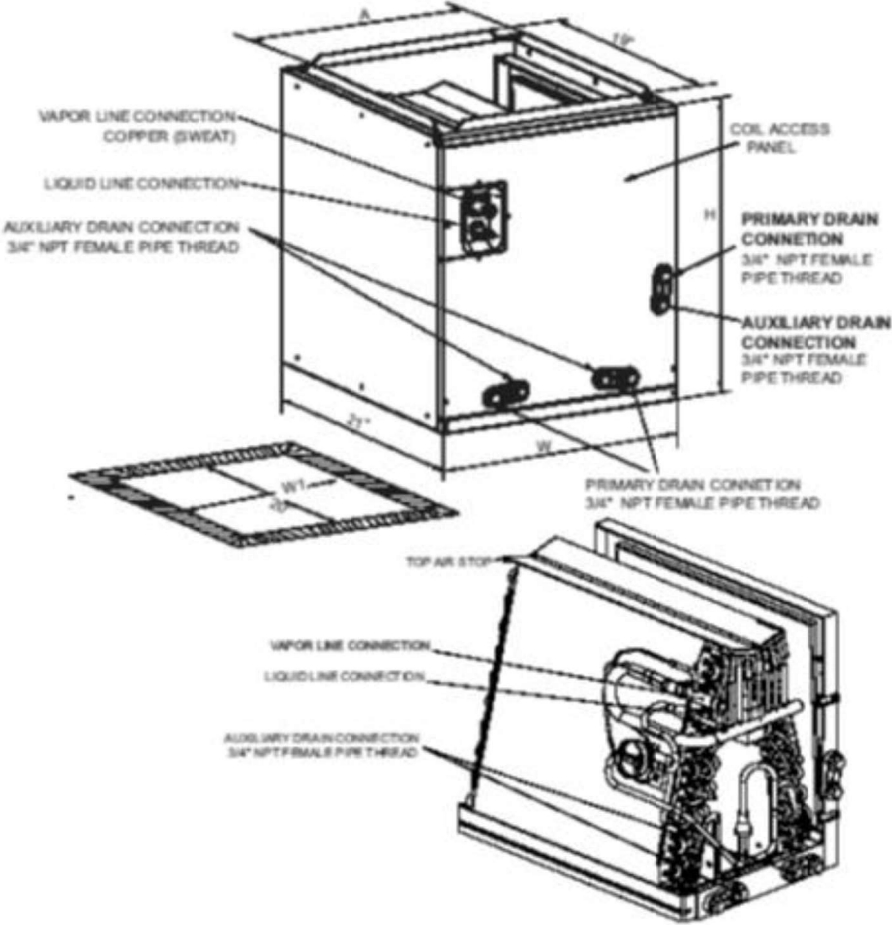
Slide-out coil offers easy maintenance, And can also be converted for uncased coil application

10-year parts limited warranty



Multi-position Cased Coils Cooling and Heat Pump Compatible Initial Product Information

Physical Data:



Multi-position Cased Coils Cooling and Heat Pump Compatible Initial Product Information

Physical Data (1):

Model Number			BMAC2430ANTD	BMAC2430BNTD	BMAC2430CNTD	BMAC3036ANTD	BMAC3036BNTD	BMAC3036CNTD
Al. coil heat exchanger	Number of rows-F.P.I.		4-17	4-17	4-17	4-17	4-17	4-17
	Fin type (code)		hydrophilic aluminum					
	Tube size	in. (mm)	9/32(7)	9/32(7)	9/32(7)	9/32(7)	9/32(7)	9/32(7)
Cased Coil Unit	Unit Dimension (W*H*D)	in.	14-1/2×20×21	17-1/2×20×21	21×20×21	14-1/2×20×21	17-1/2×20×21	21×20×21
		mm	368×508×553	445×508×553	553×508×553	368×508×553	445×508×553	553×508×553
	Packaged dimension	in.	17-3/4×22-5/8×25	20-5/8×22-5/8×25	24-1/8×22-5/8×25	17-3/4×22-5/8×25	20-5/8×22-5/8×25	24-1/8×22-5/8×25
		mm	449×574×634	524×574×634	614×574×634	449×574×634	524×574×634	614×574×634
	Net/Gross weight	lb	40/47	43/50	46/55	40/47	43/50	46/55
kg		18.2/21.5	19.4/22.9	21.1/25.1	18.2/21.5	19.4/22.9	21.1/25.1	
Drainage pipe outside diameter	in.	RC3/4	RC3/4	RC3/4	RC3/4	RC3/4	RC3/4	
Air Supply duct size ("A" x 19")	inch	13×19	16×19	19-1/2×19	13×19	16×19	19-1/2×19	
Air Return duct size ("W1" x 20")	inch	13 ½" x 20"	16 ½" x 20"	20" x 20"	13 ½" x 20"	16 ½" x 20"	20" x 20"	
Refrigerant		R-410A	R-410A	R-410A	R-410A	R-410A	R-410A	
Liquid side/ Gas side	in.	3/8 3/4	3/8 3/4	3/8 3/4	3/8 3/4	3/8 3/4	3/8 3/4	
Shipping per STD40HQ		438	380	310	438	380	310	



Multi-position Cased Coils Cooling and Heat Pump Compatible Initial Product Information

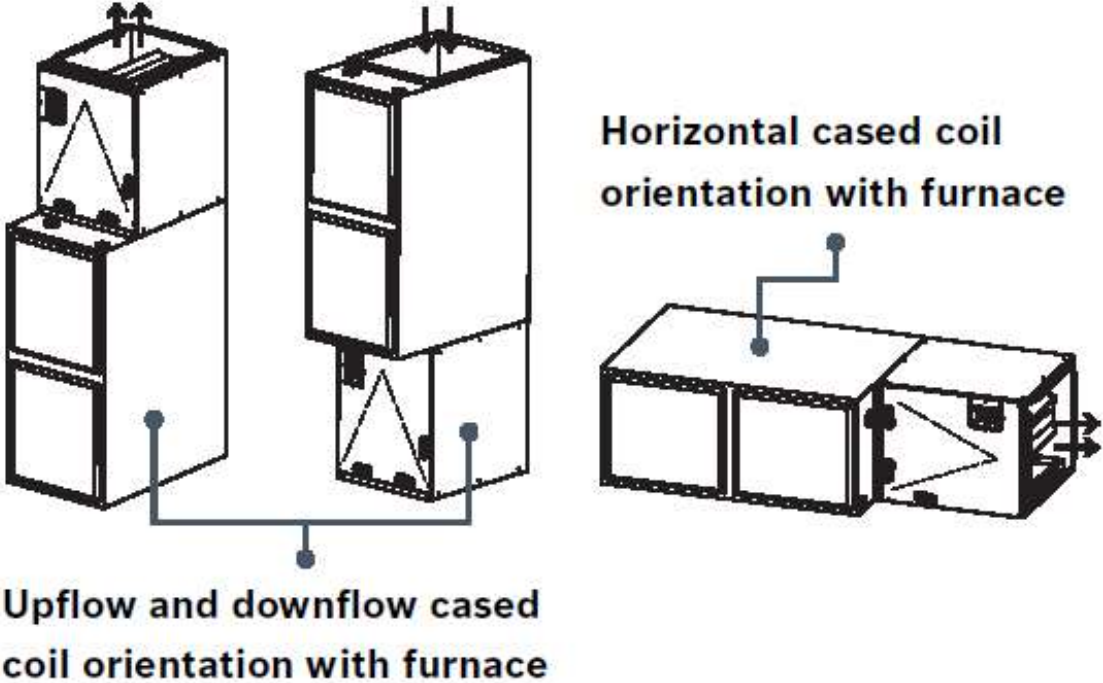
Physical Data (2):

Model Number			BMAC4248BNTF	BMAC4248CNTF	BMAC4248DNTF	BMAC4860CNTF	BMAC4860DNTF
Al. coil heat exchanger	Number of rows-F.P.I.		3-14	3-14	3-14	4-14	4-14
	Fin type (code)		hydrophilic aluminum				
	Tube size	in.(mm)	3/8(9.52)	3/8(9.52)	3/8(9.52)	3/8(9.52)	3/8(9.52)
Cased Coil Unit	Unit Dimension (W*H*D)	in.	17-1/2×30×21	21×30×21	24-1/2×30×21	21×30×21	24-1/2×30×21
		mm	445×762×553	553×762×553	622×762×553	553×762×553	622×762×553
	Packaged dimension	in.	20-5/8×32-7/8×24-2/5	24×32-7/8×24-2/5	27-1/2×32-7/8×24-2/5	24×32-7/8×24-2/5	27-1/2×32-7/8×24-2/5
		mm	524×835×598	610×835×598	700×835×598	610×835×598	700×835×598
	Net/Gross weight	lb	69/76	73/81	77/85	76/85	80/89
kg		31.2/34.5	33.3/37	34.8/38.8	34.6/38.7	36.5/40.5	
Drainage pipe outside diameter		in.	RC3/4	RC3/4	RC3/4	RC3/4	RC3/4
Air Supply duct size ("A" x 19")		inch	16×19	19-1/2×19	23×19	19-1/2×19	23×19
Air Return duct size ("W1" x 20")		inch	16 1/2" x 20"	20" x 20"	24 1/2" x 20"	20" x 20"	24 1/2" x 20"
Refrigerant			R-410A	R-410A	R-410A	R-410A	R-410A
Liquid side/ Gas side		in.	3/8 7/8	3/8 7/8	3/8 7/8	3/8 7/8	3/8 7/8
Shipping per STD40HQ			270	211	193	211	193



Multi-position Cased Coils Cooling and Heat Pump Compatible Initial Product Information

Applications (1)



Dual-fuel system, pair up with gas furnaces



Multi-position Cased Coils Cooling and Heat Pump Compatible Initial Product Information

Applications (2)

**Bosch IDS outdoor condenser and
cased coil paired with hydronic air
handler and Greentherm 9000
tankless water heater**

